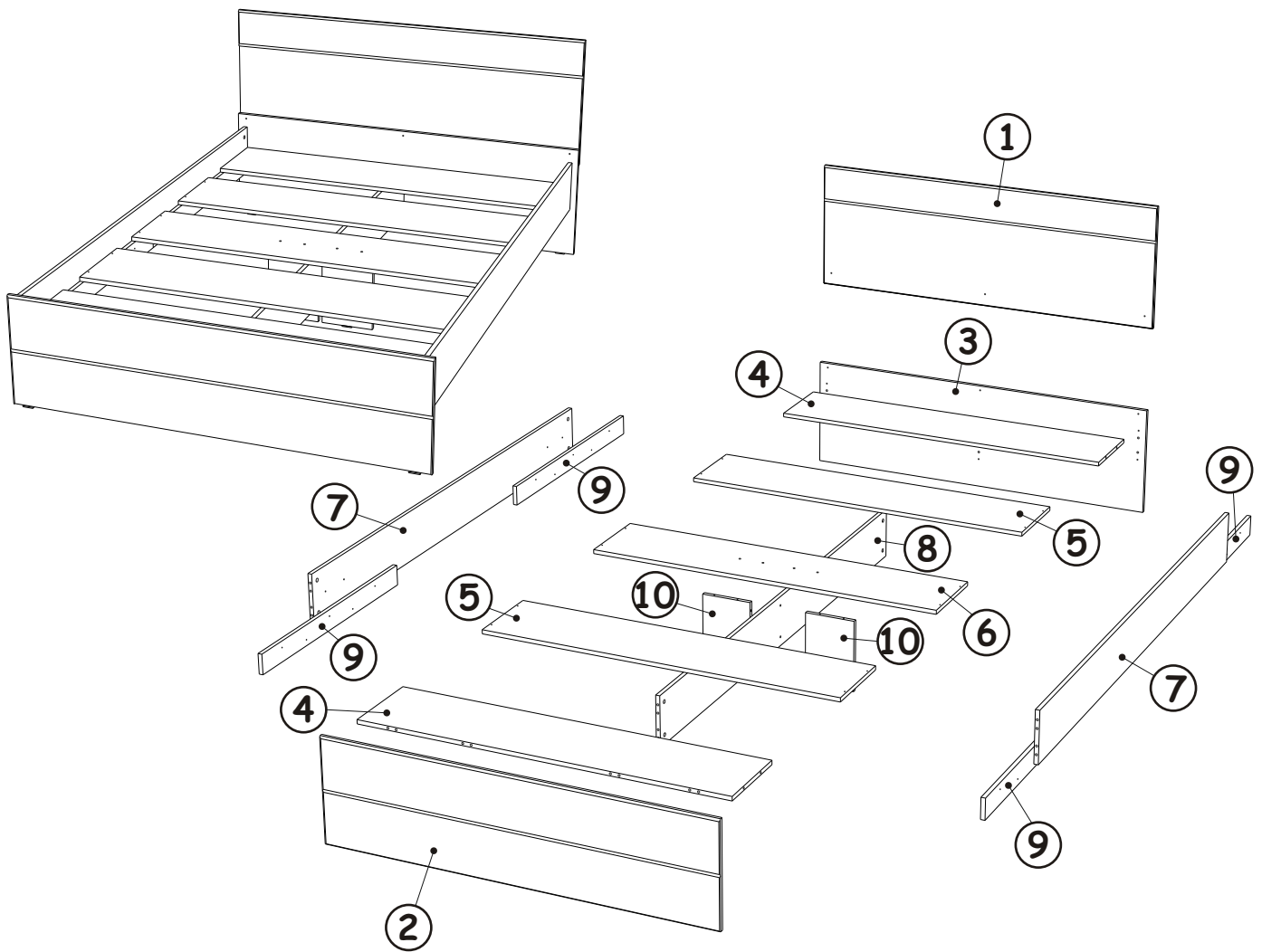
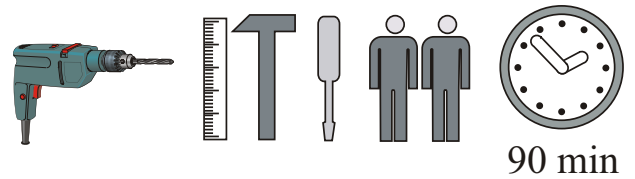


# GLOSS Krovat' 140x200

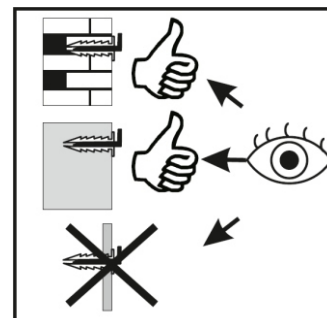
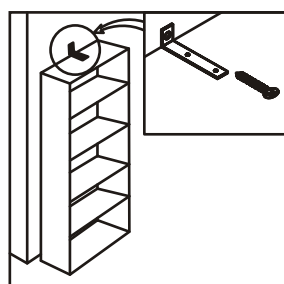
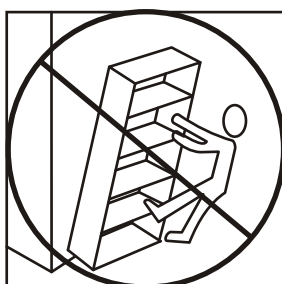
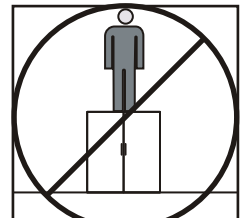
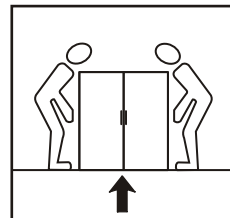
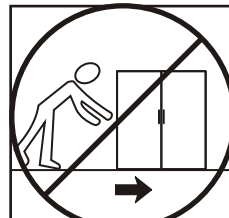
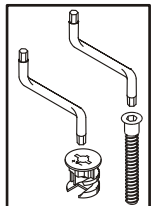
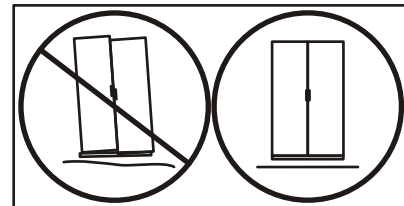
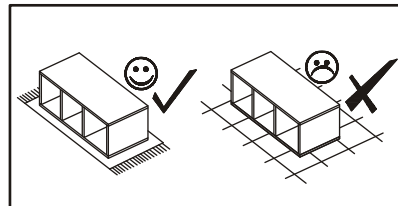
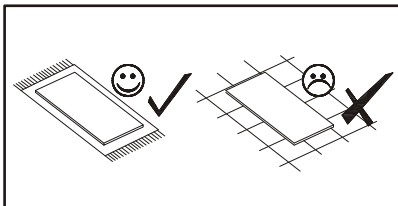
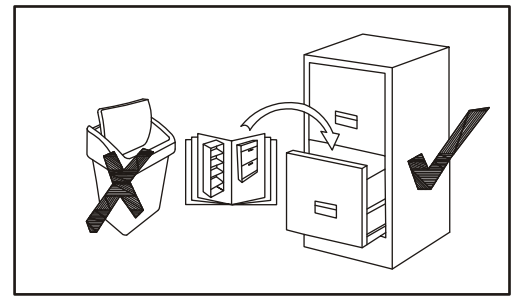
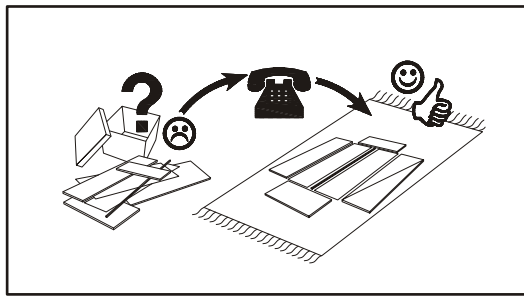
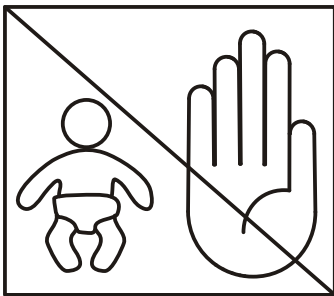
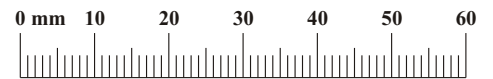


NO	Dim.		Col.-No	Qty
1	1480	520	2	1
2	1480	400	2	1
3	1480	450	2	1
4	1400	300	3	2
5	1400	300	3	2
6	1400	300	3	1
7	2000	200	1	2
8	2000	200	1	1
9	930	80	1,2	4
10	286	198	1	2

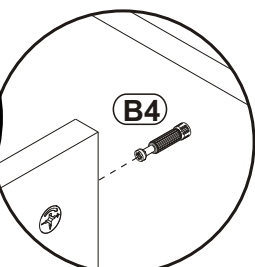
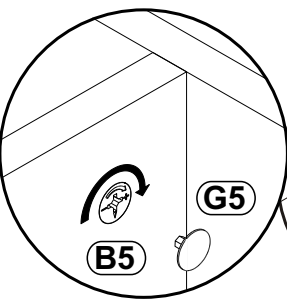
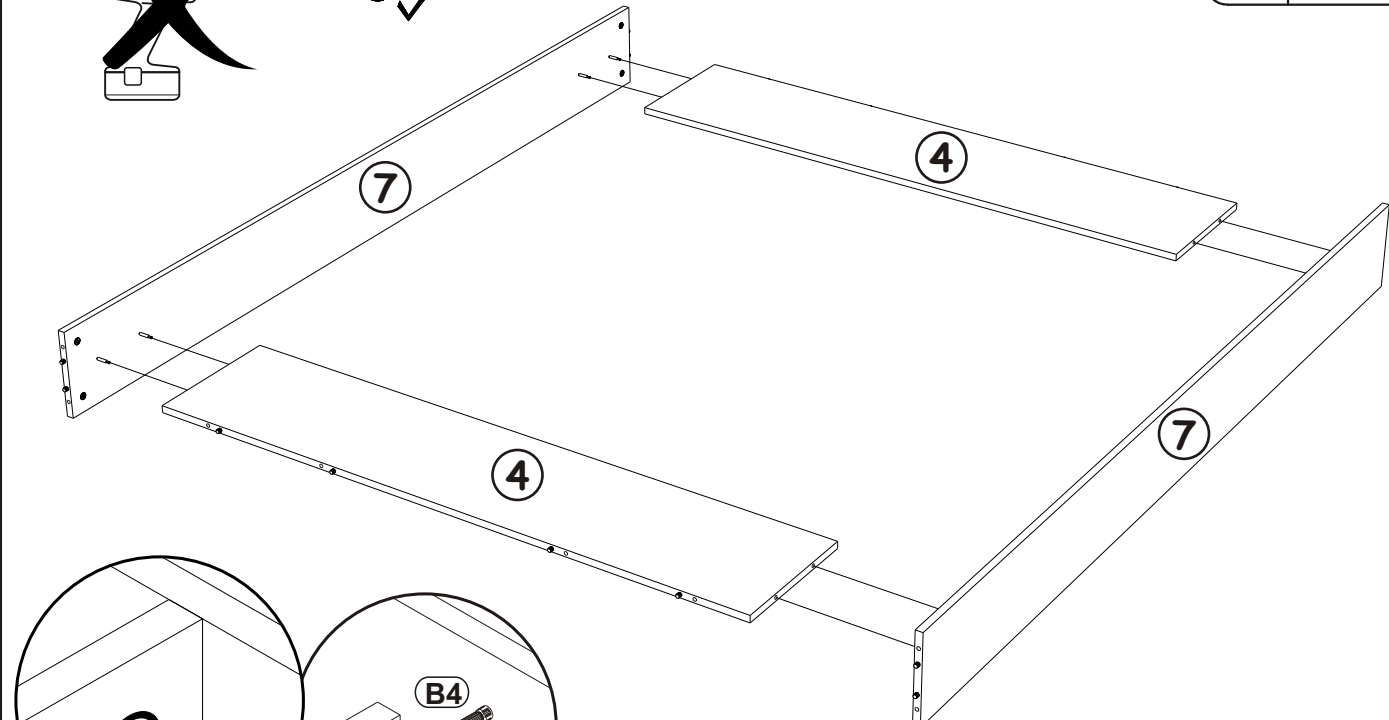
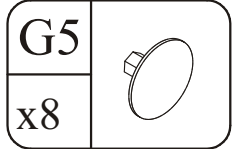
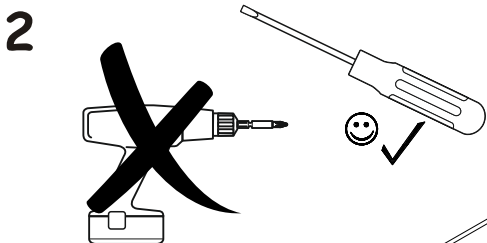
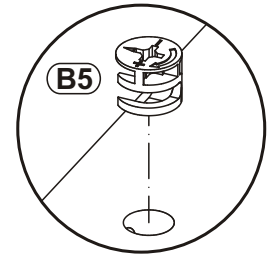
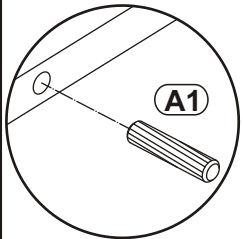
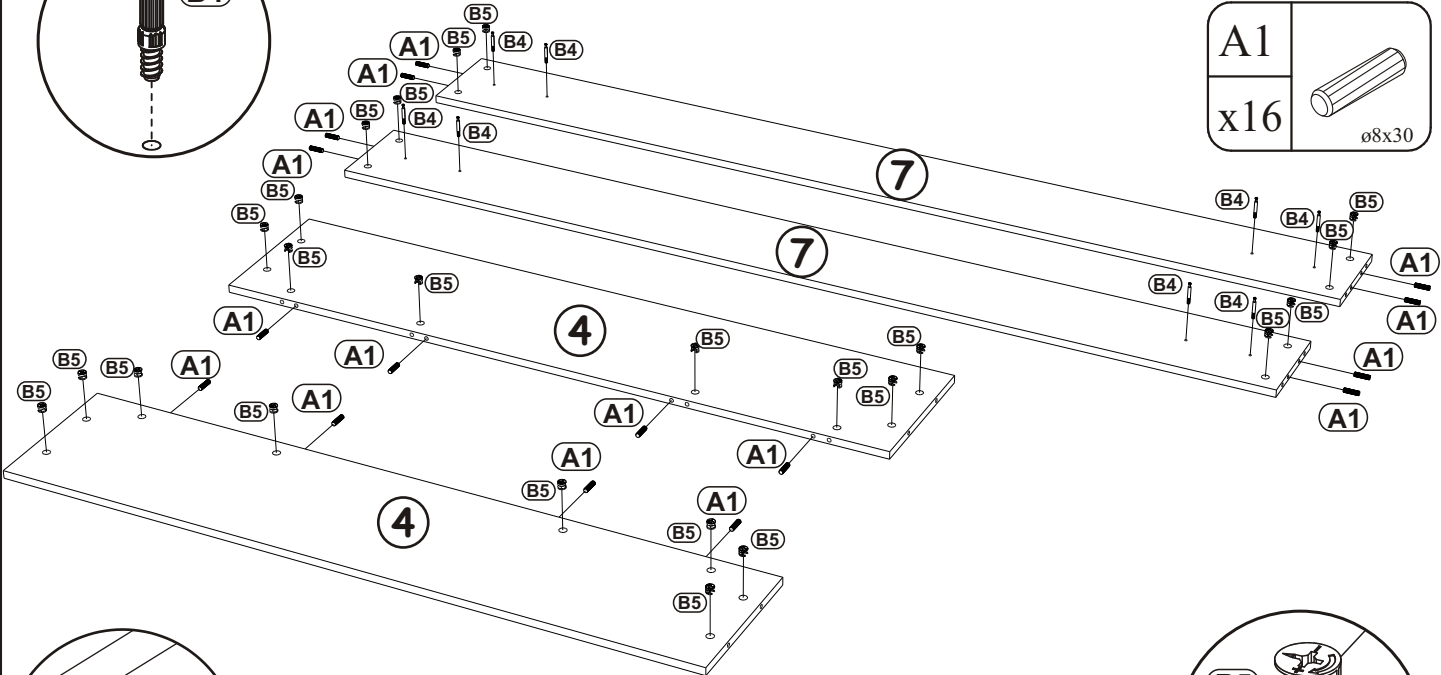
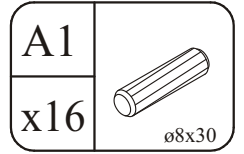
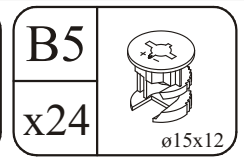
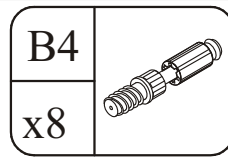
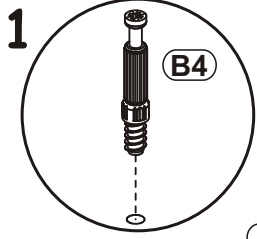


# GLOSS Krovat' 140x200

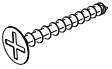
K2 x12		ZX x4		G5 x32		G2 x1		B4 x28		B5 x28	
A1 x24		KR2 x32		T1 x6		K1 x3					



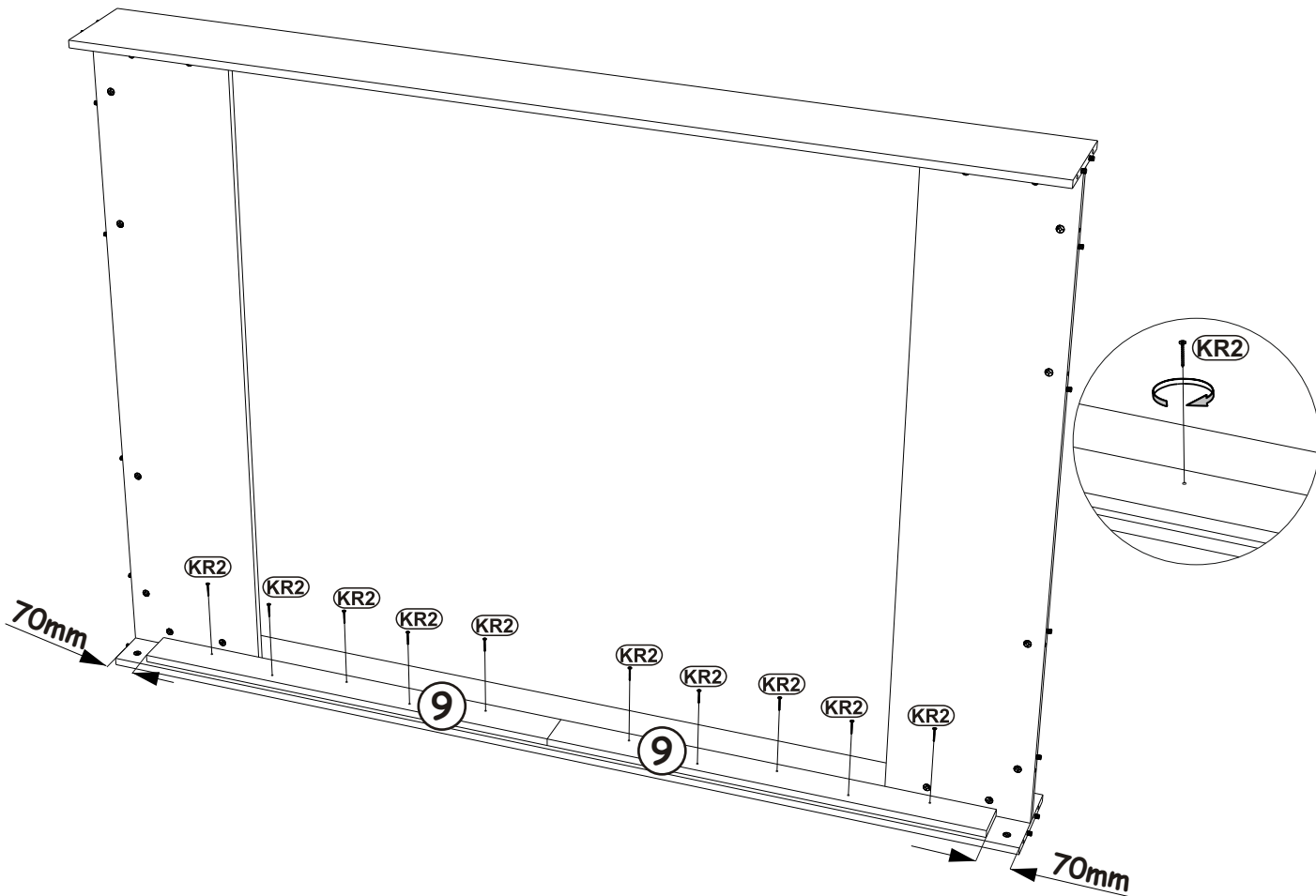
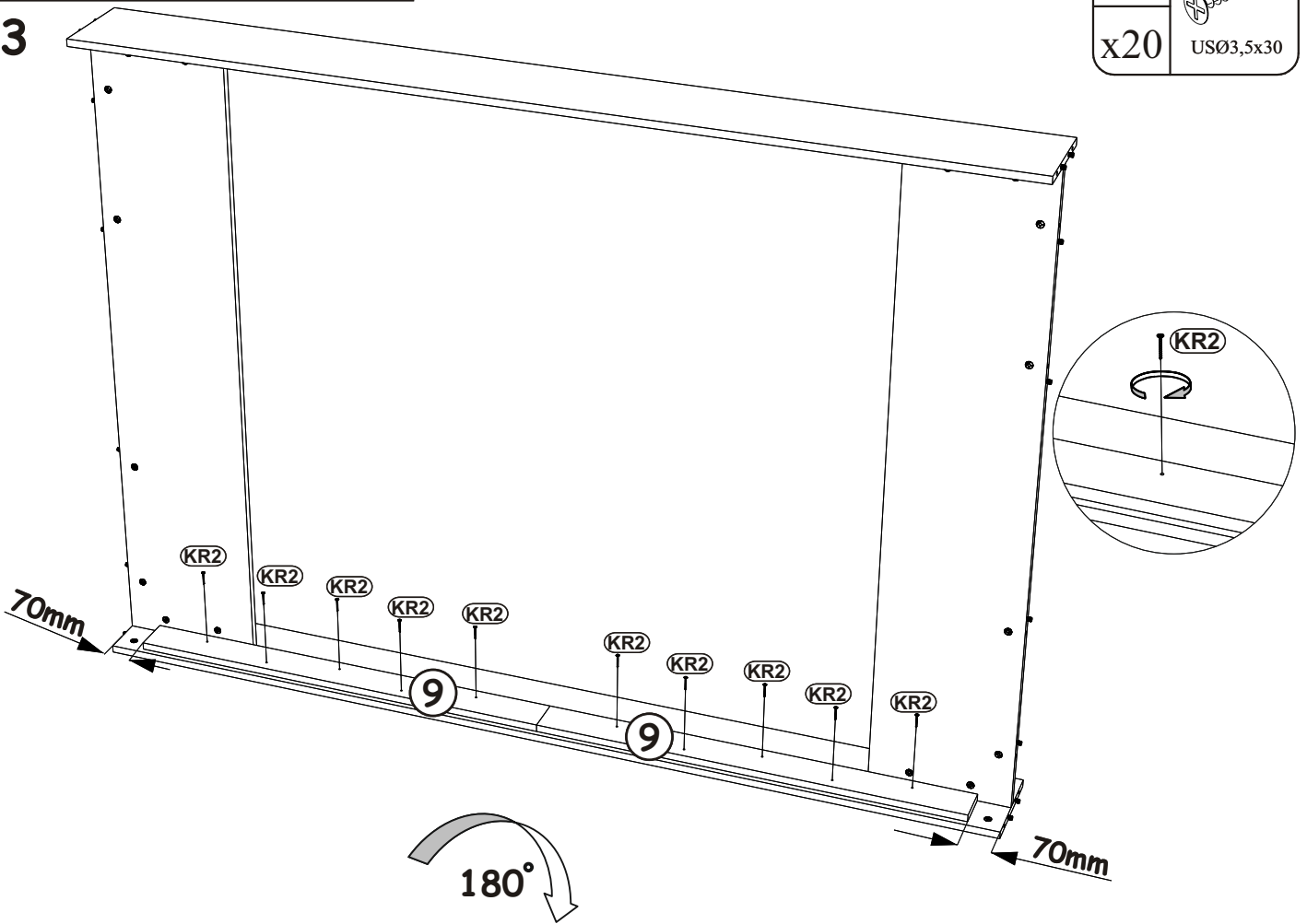
# GLOSS Krovat' 140x200



GLOSS Krovat' 140x200

KR2	
x20	USØ3,5x30

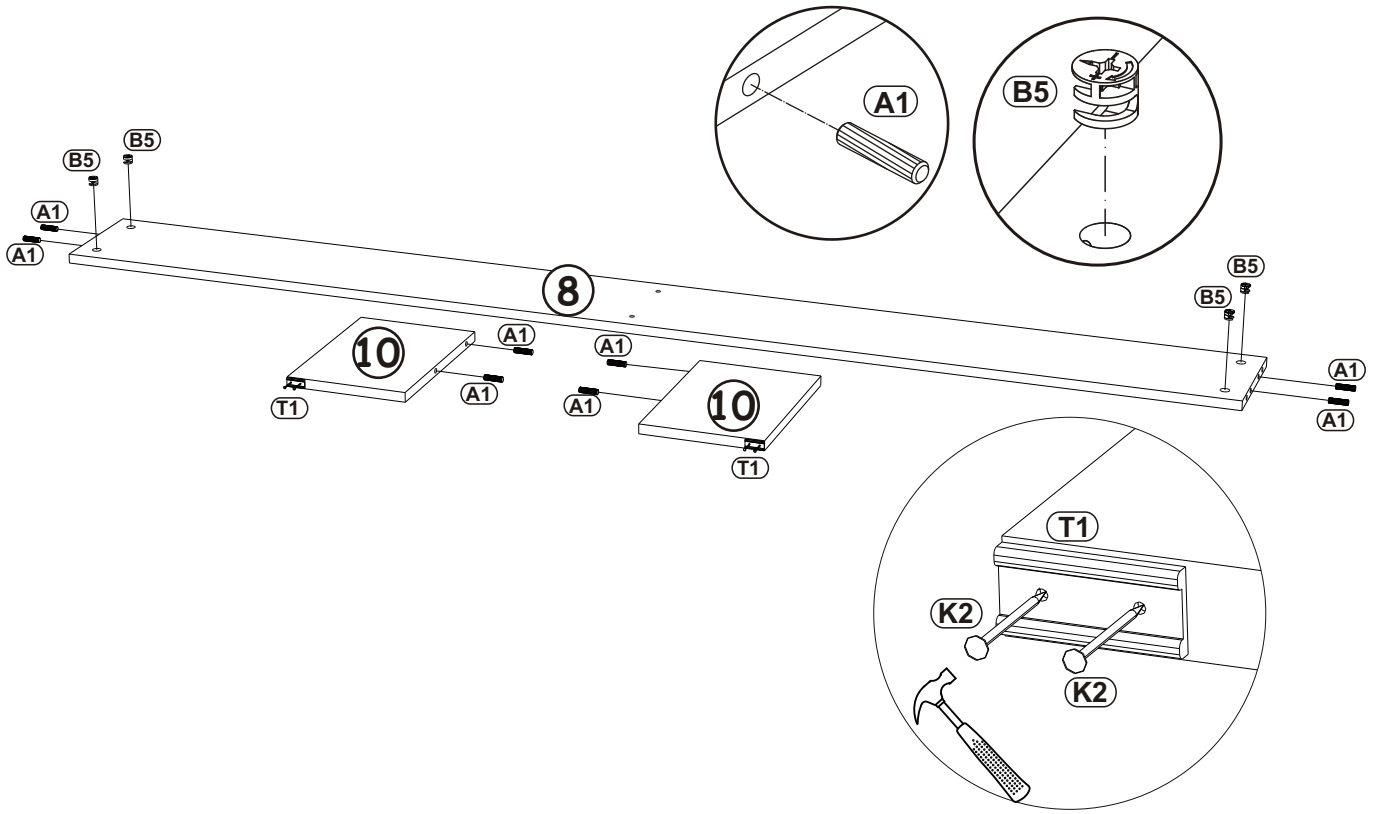
3



# GLOSS Krovat' 140x200

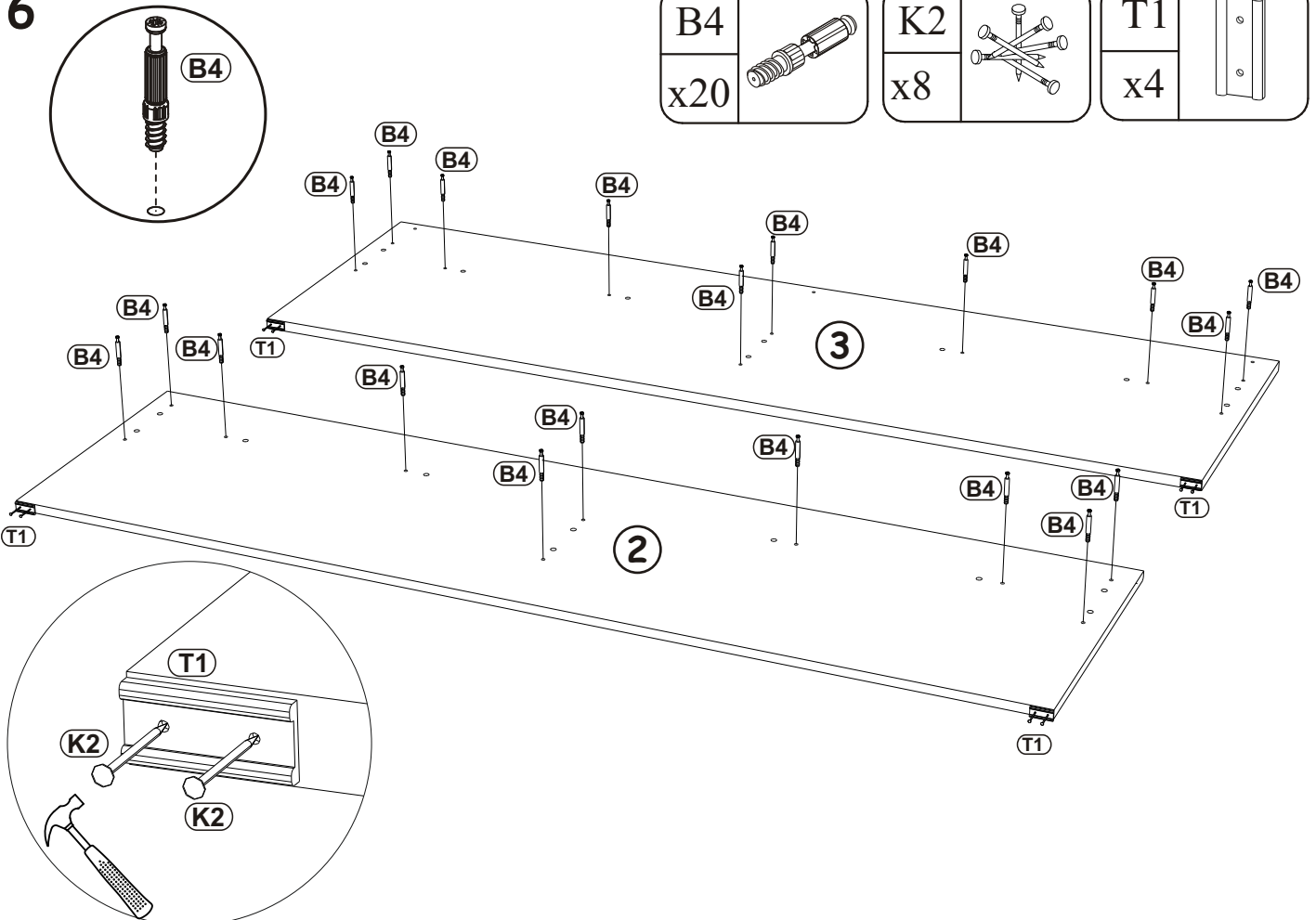
## 5

K2		T1		B5		A1	
x4		x2		x4	$\varnothing 15 \times 12$	x8	$\varnothing 8 \times 30$

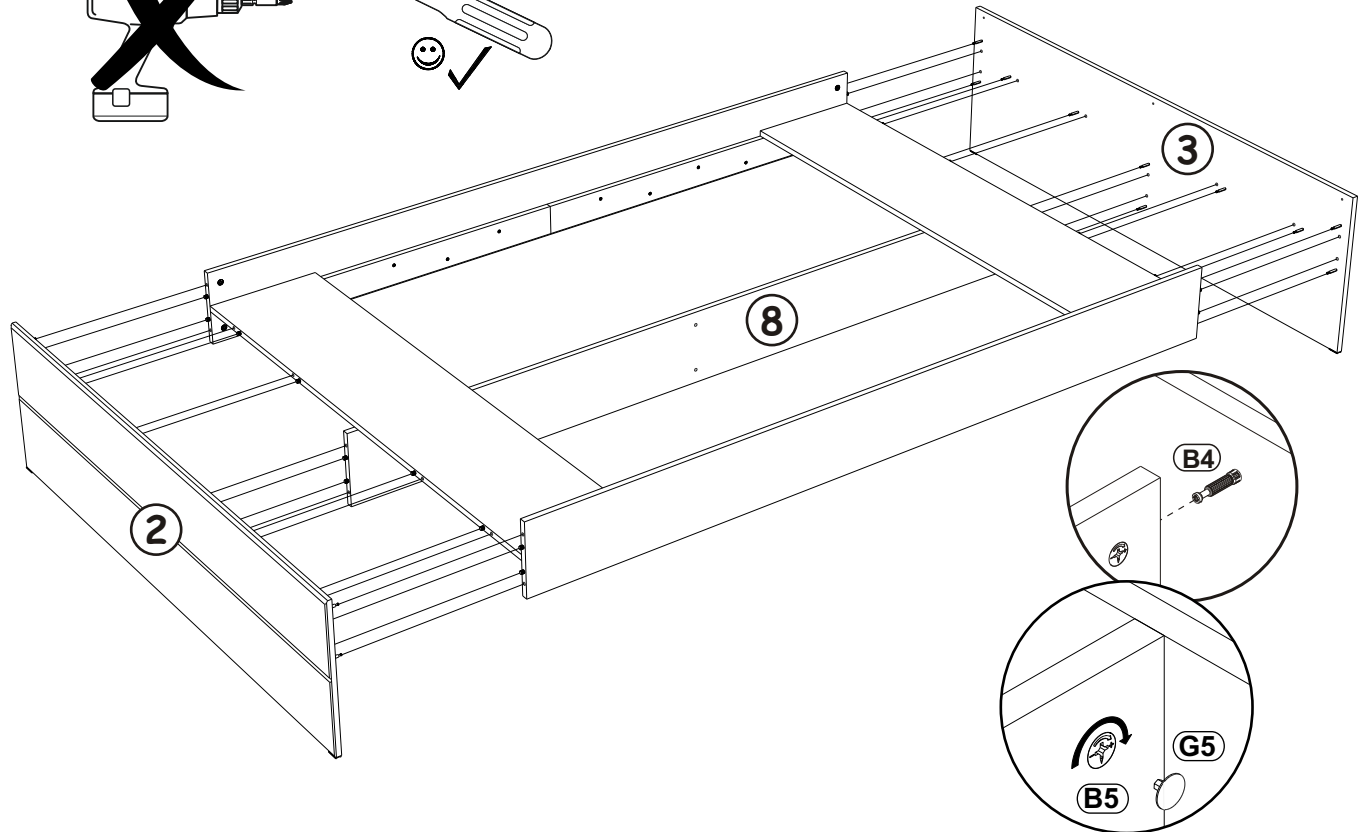
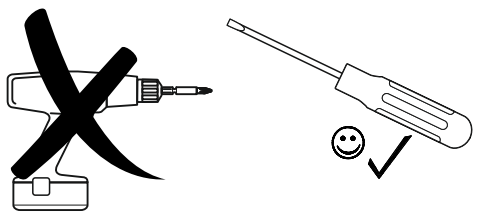


## 6

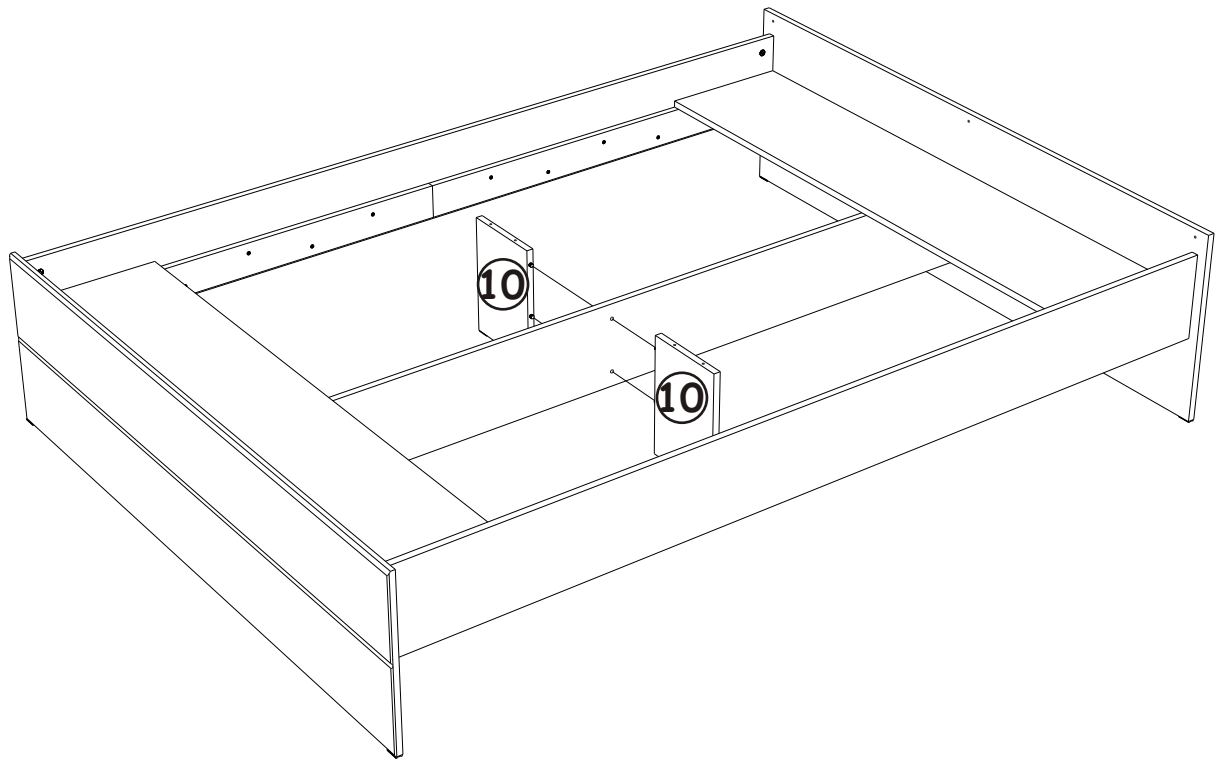
B4		K2		T1	
x20		x8		x4	



7

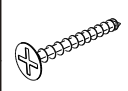



8




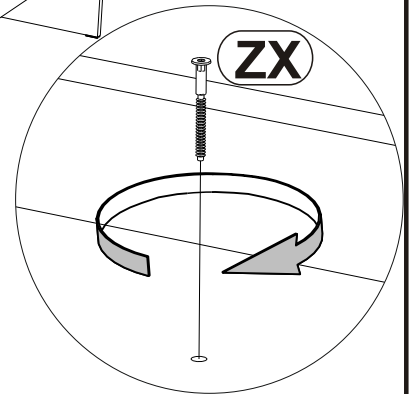
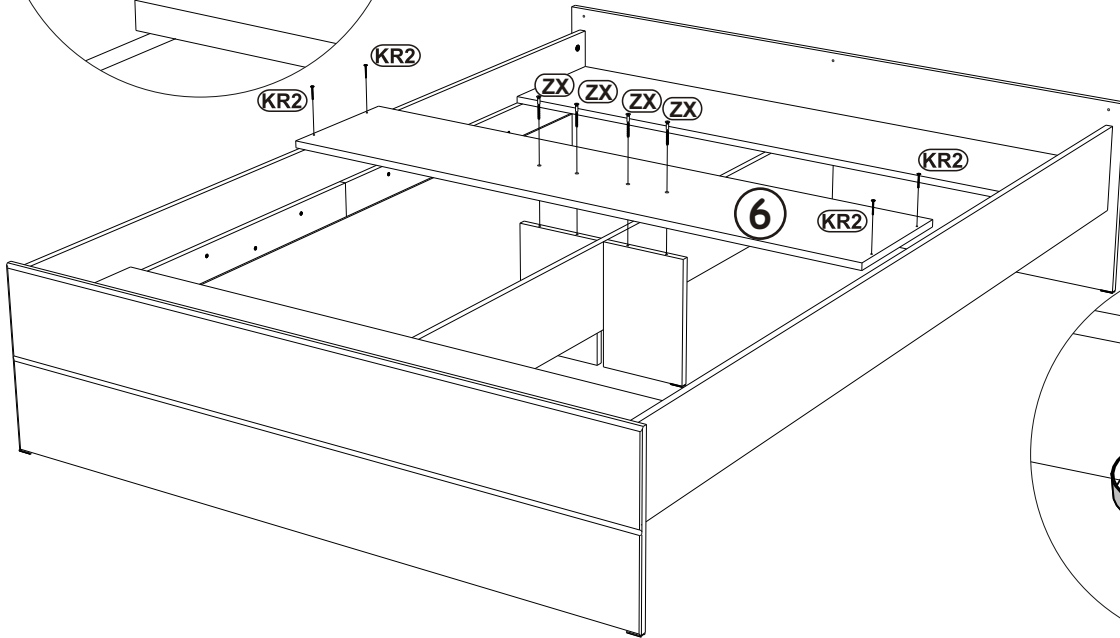
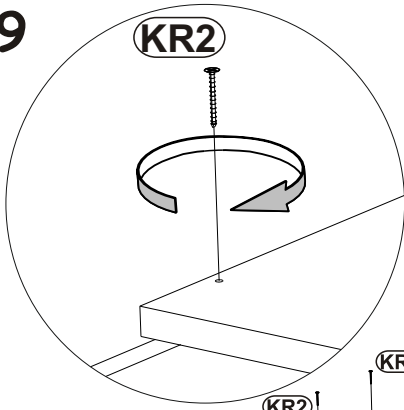
GLOSS Krovat' 140x200

9


KR2	
x4	USØ3,5x30

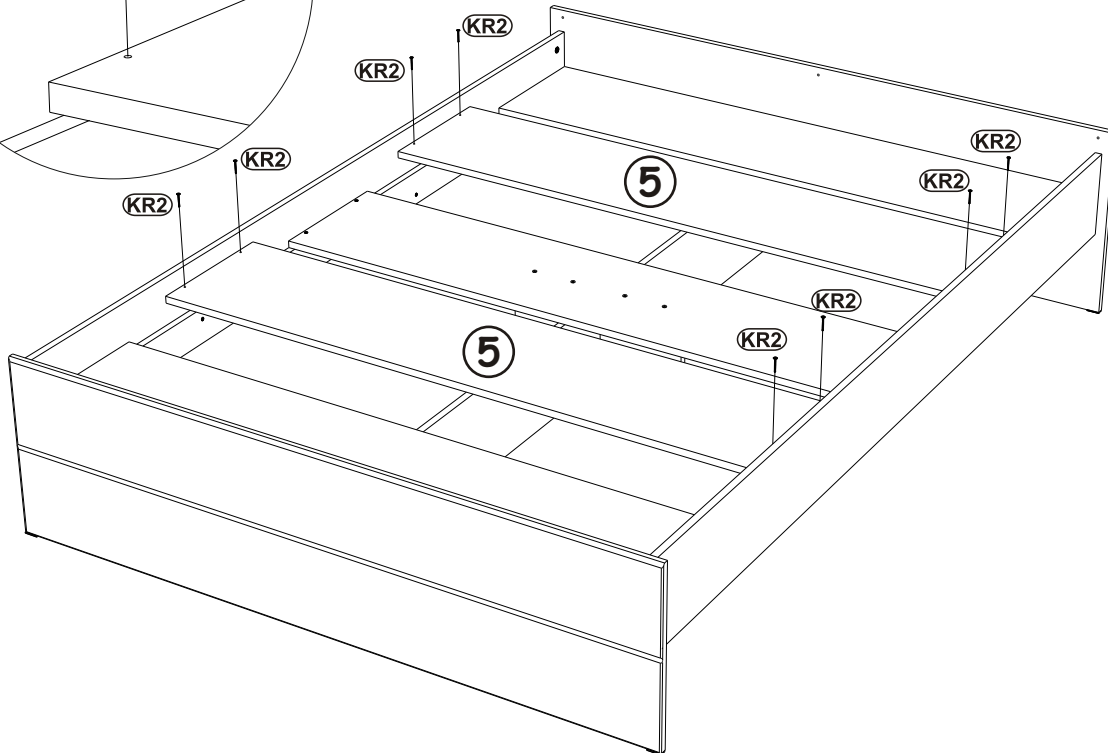
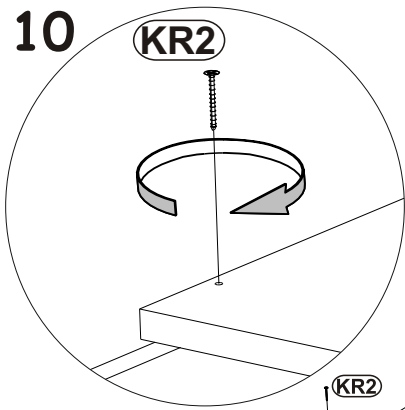
ZX	
x4	ø7x50

G5	
x4	

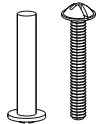


10

KR2	
x8	USØ3,5x30



11

K1	
x3	

