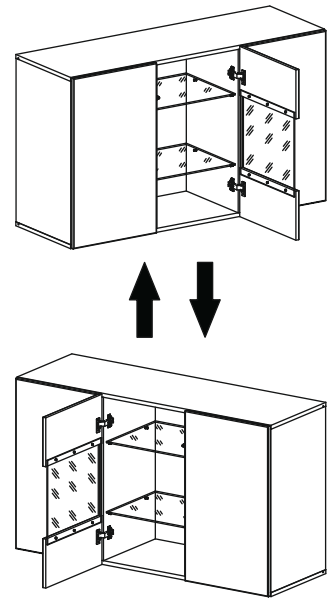
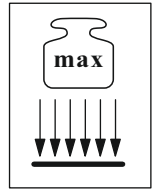
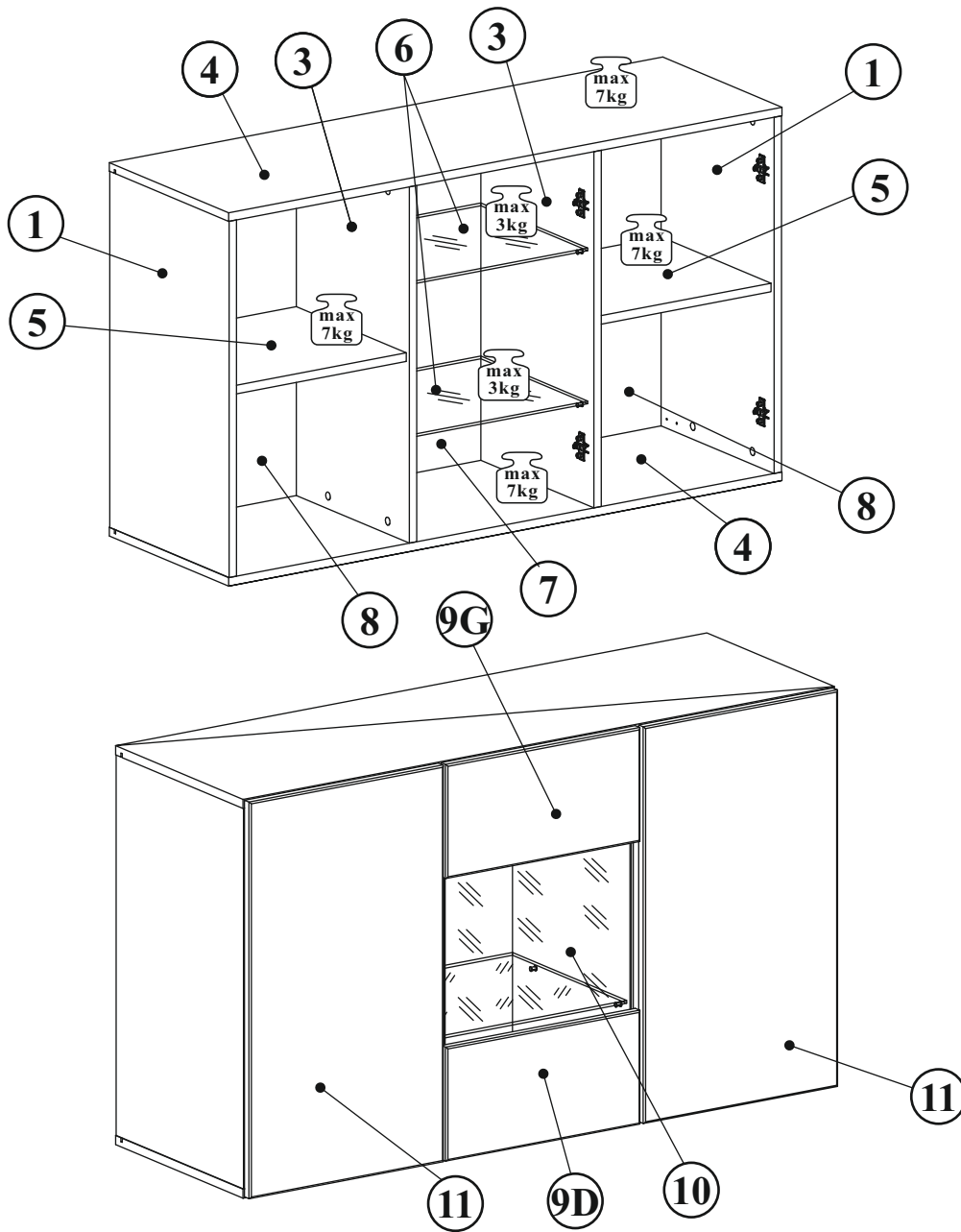
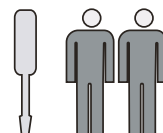
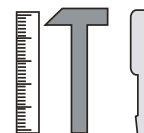


POINT TYP- SB II


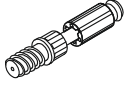


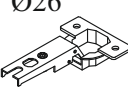
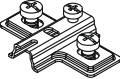
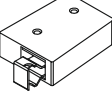
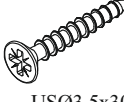
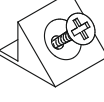

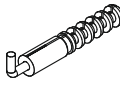
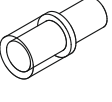


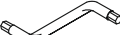

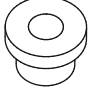
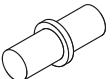
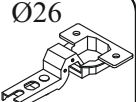
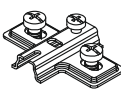
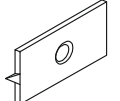
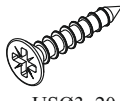


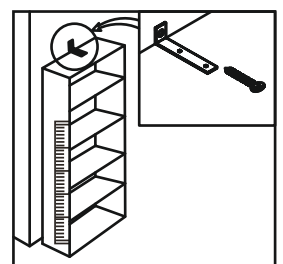
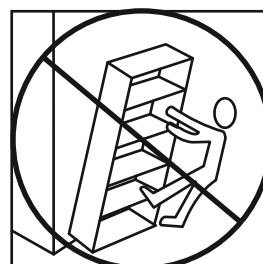
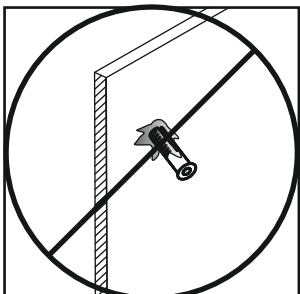
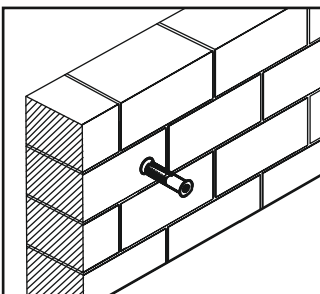
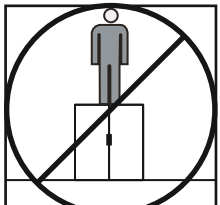
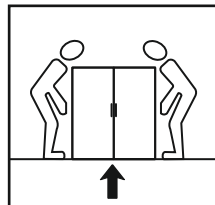
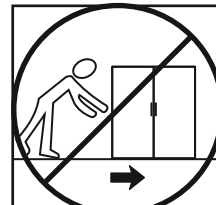
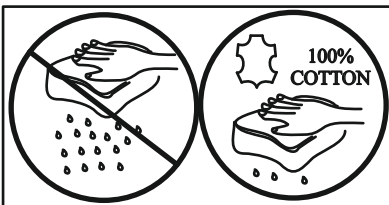
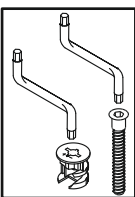
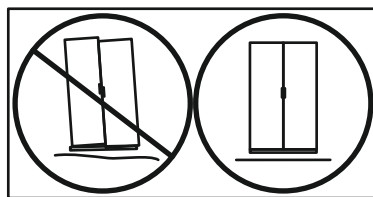
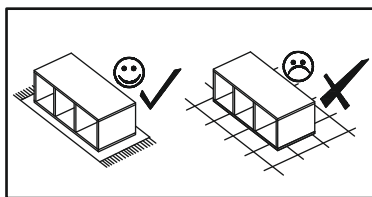
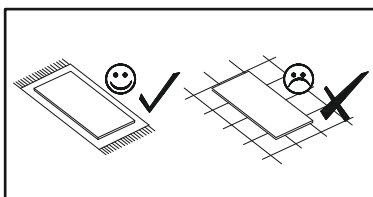
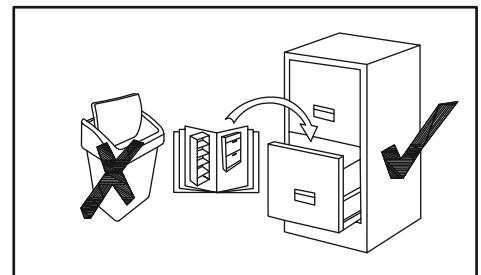
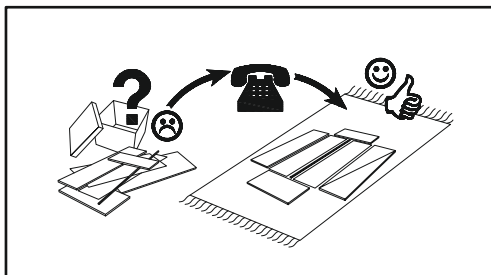
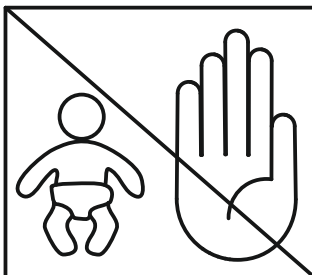
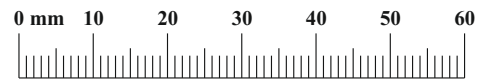
| NO | Dim. | | Col.-No | Qty |
|----|------|-----|---------|-----|
| 1 | 668 | 384 | 1 | 2 |
| 2 | 668 | 364 | 1 | 1 |
| 3 | 668 | 364 | 1 | 1 |
| 4 | 1200 | 384 | 1 | 2 |
| 5 | 375 | 354 | 1 | 2 |
| 6 | 382 | 344 | 1 | 2 |
| 7 | 680 | 398 | 1 | 1 |
| 8 | 680 | 388 | 1 | 2 |
| 9G | 394 | 200 | 1 | 1 |
| 9D | 394 | 200 | 1 | 1 |
| 10 | 378 | 345 | 1 | 1 |
| 11 | 394 | 696 | 1 | 2 |



90 min

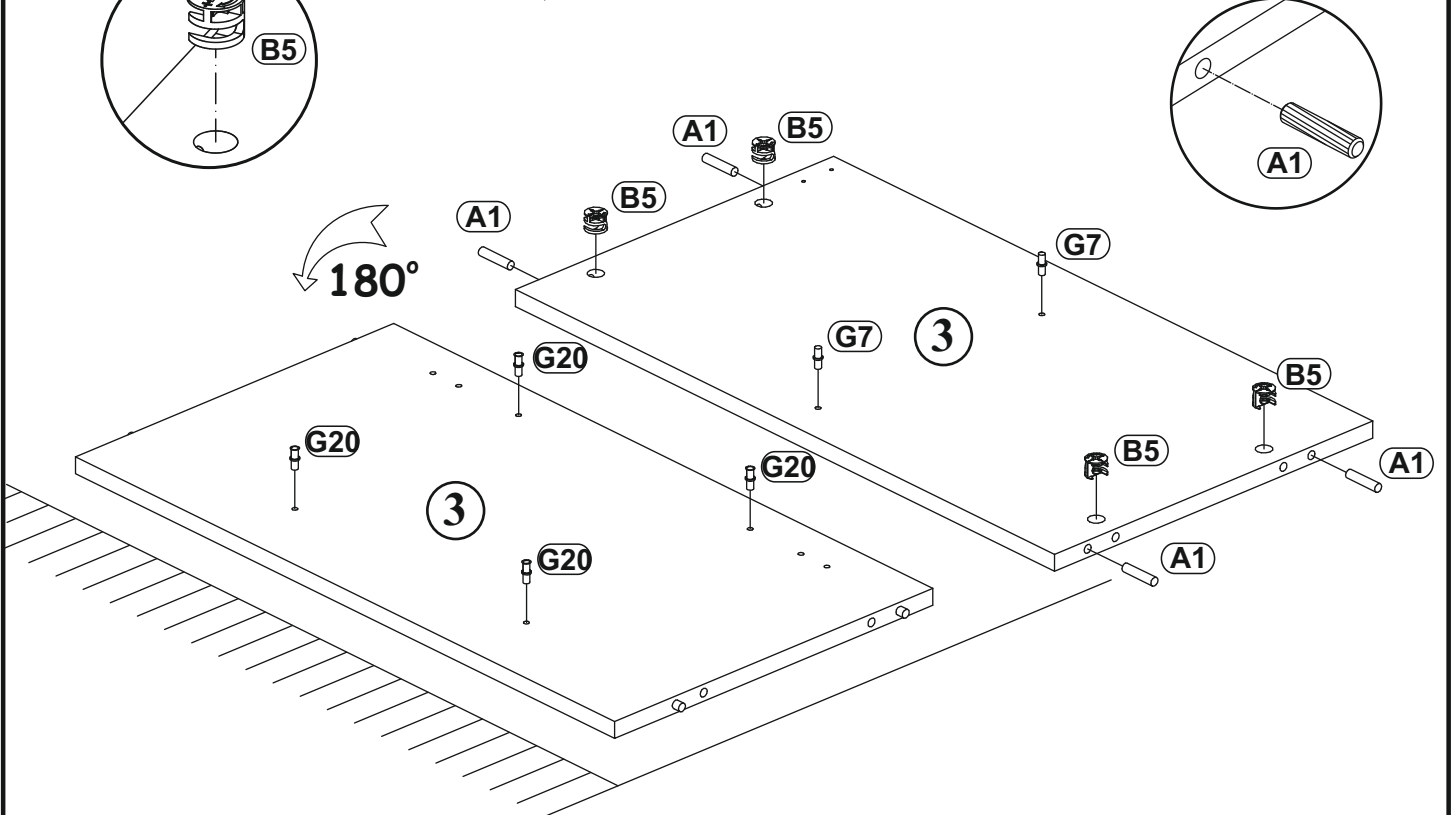
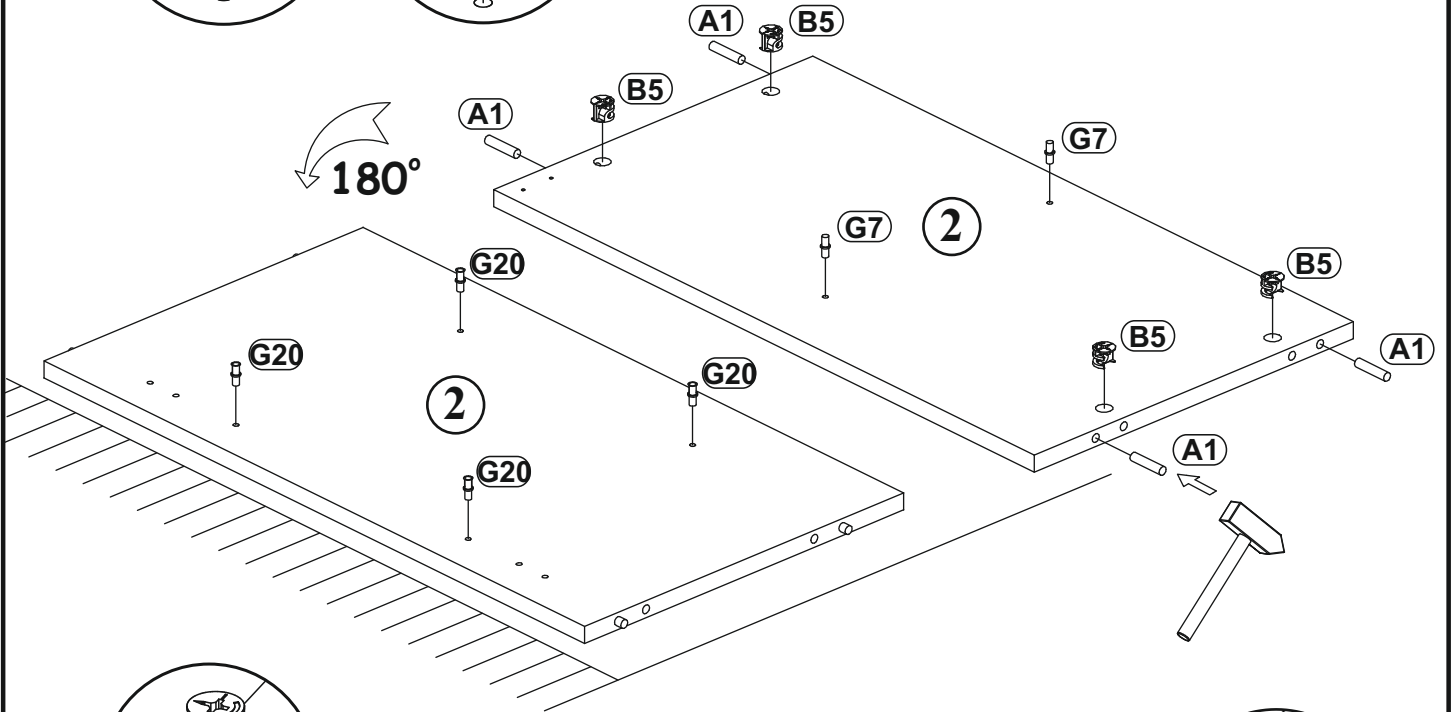
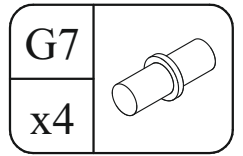
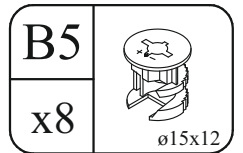
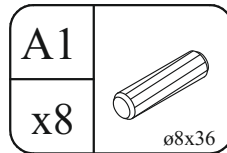
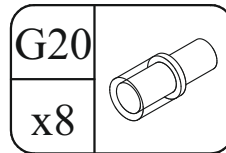
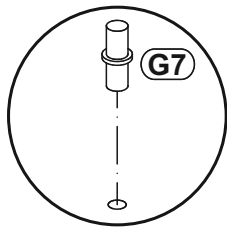
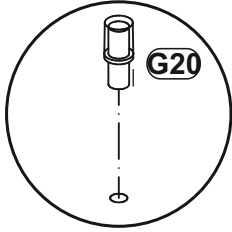
POINT TYP- SB II

| | | | | | |
|---|--|--|---|---|--|
| A1 x16  ø8x36 | B4 x16  | B5 x16  ø15x12 | G5 x16  | E1 x4  Ø26 H=0 | E2 x4  H=0 |
| ZR1 x4  | D6 x8  USØ3,5x30 | S1 x10  | D10 x18  USØ3,5x13 | KR2 x4  | G20 x8  |
| Z2 x4  ø5 | T1 x3  | G2 x1  | UP13 x6  UPØ3x16 | P2 x6  | G7 x8  |
| E3 x2  Ø26 H=8 | E4 x2  H=2 | G16 x10  | D9 x10  USØ3x20 | | |



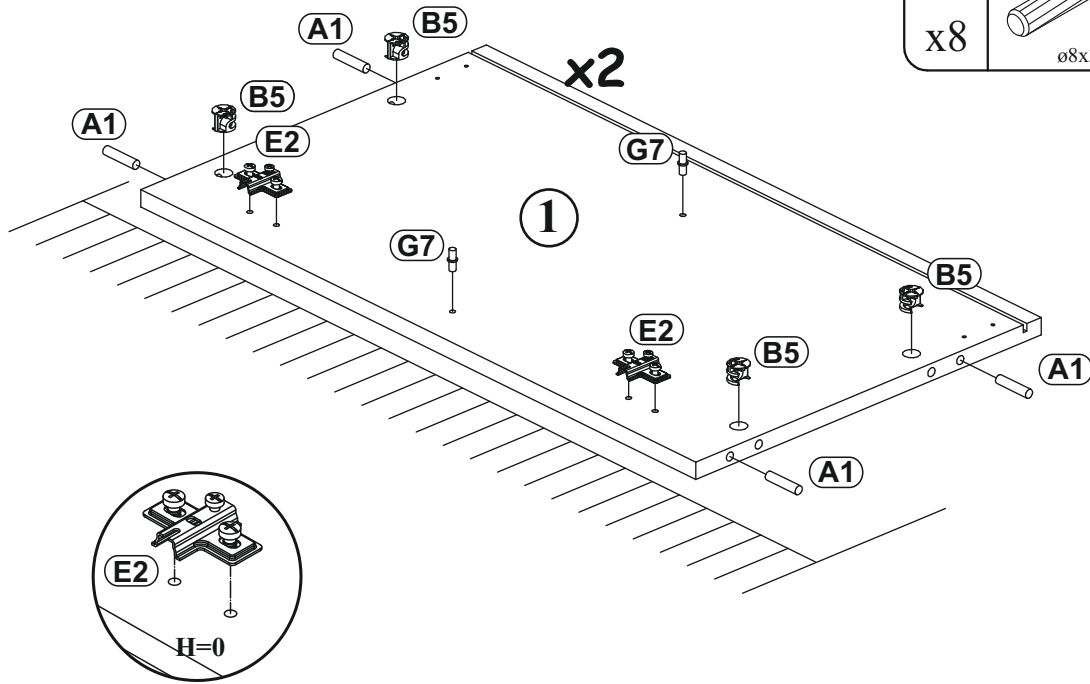
POINT TYP- SB II

1



POINT TYP- SB II

2



| | |
|----|-------|
| A1 | |
| x8 | ø8x36 |

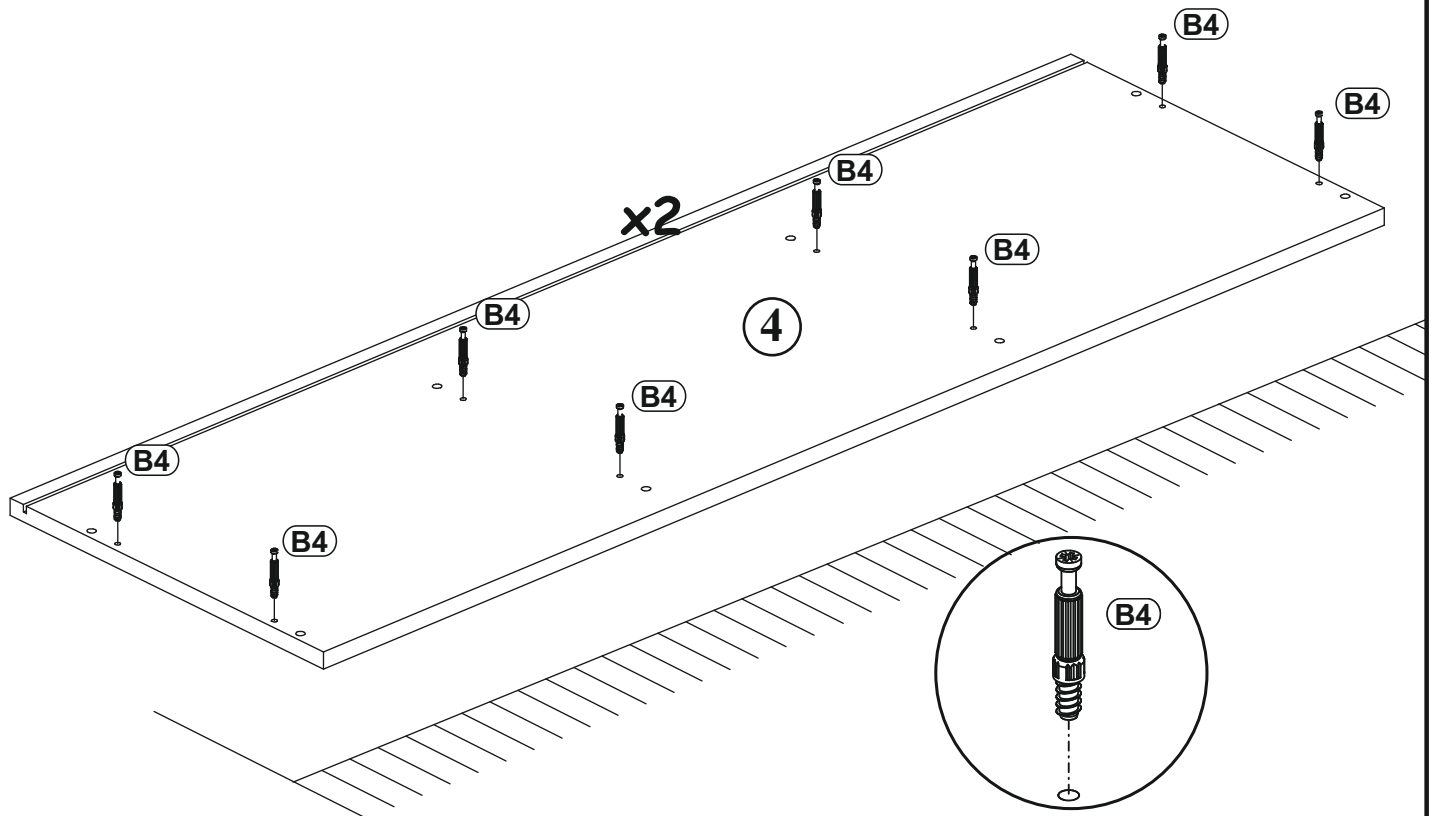
| | |
|----|--------|
| B5 | |
| x8 | ø15x12 |

| | |
|----|--|
| G7 | |
| x4 | |

| | |
|----|----------|
| E2 | |
| x4 | !!!! H=0 |

| | |
|---------------|---------------------|
| E4 | |
| x2 | !!!! H=2 |

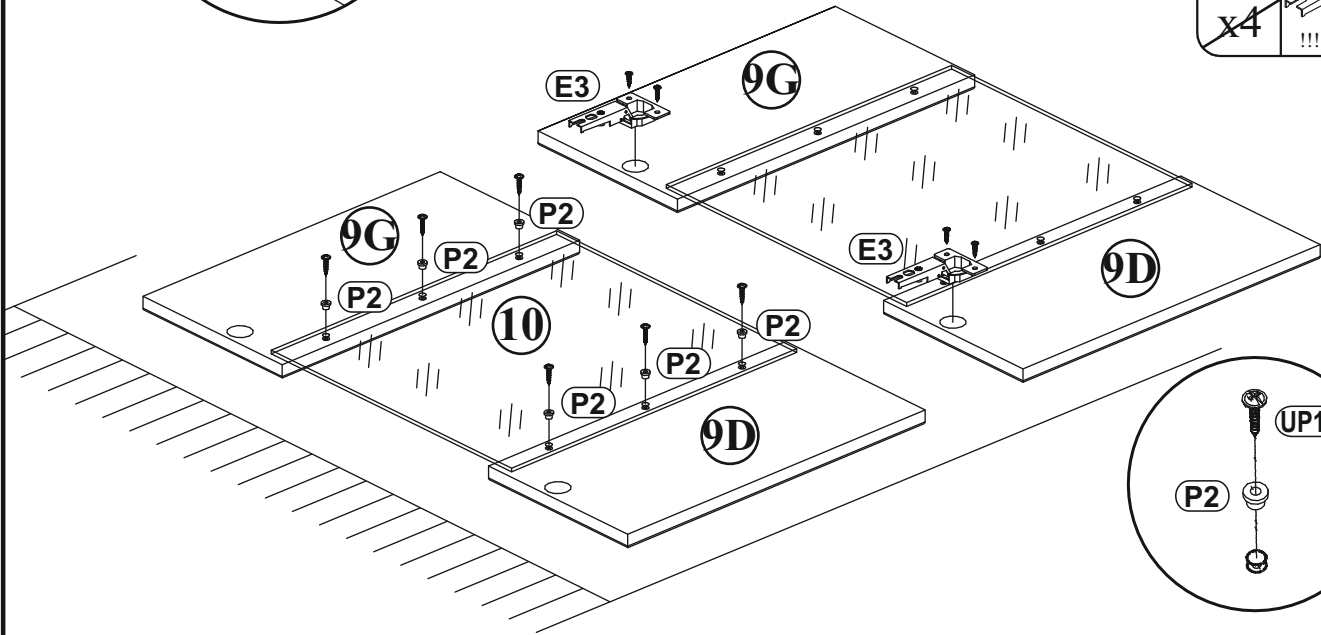
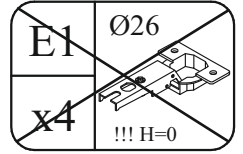
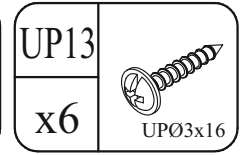
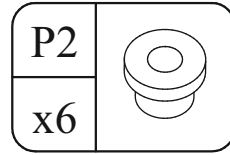
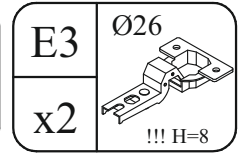
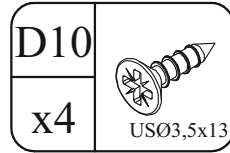
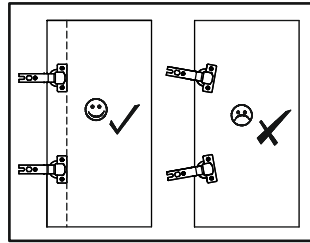
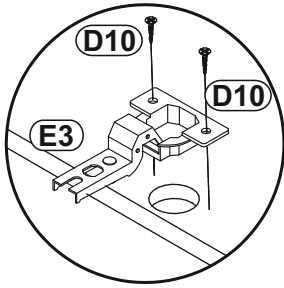
3



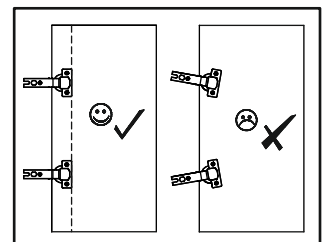
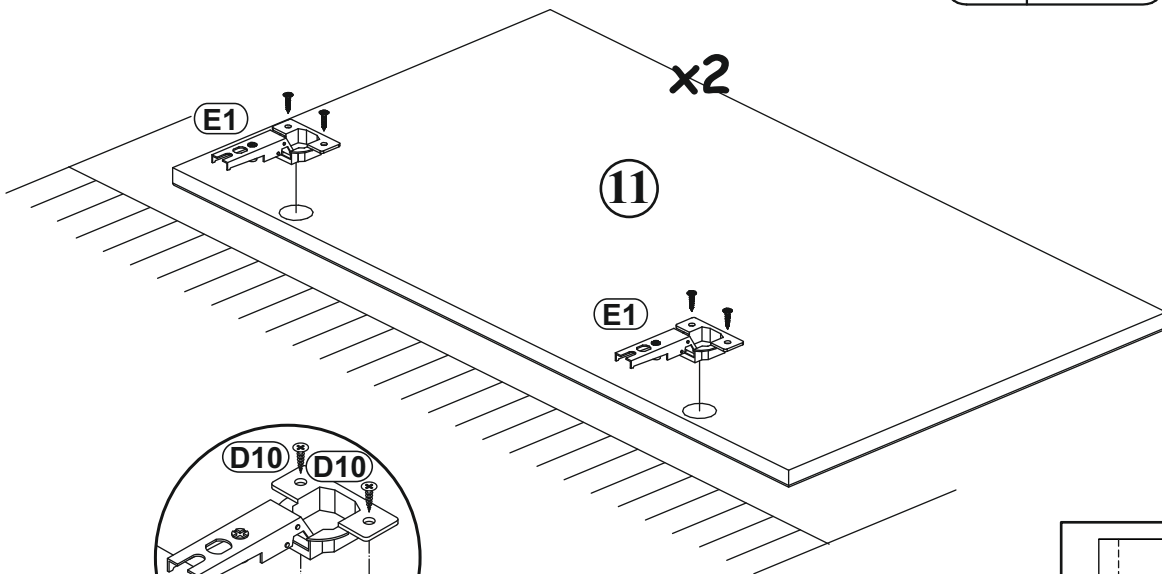
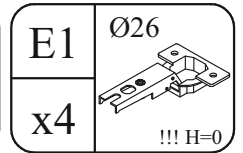
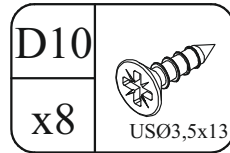
| | |
|-----|--|
| B4 | |
| x16 | |

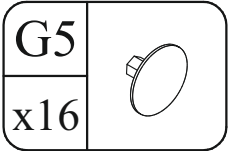
POINT TYP- SB II

4

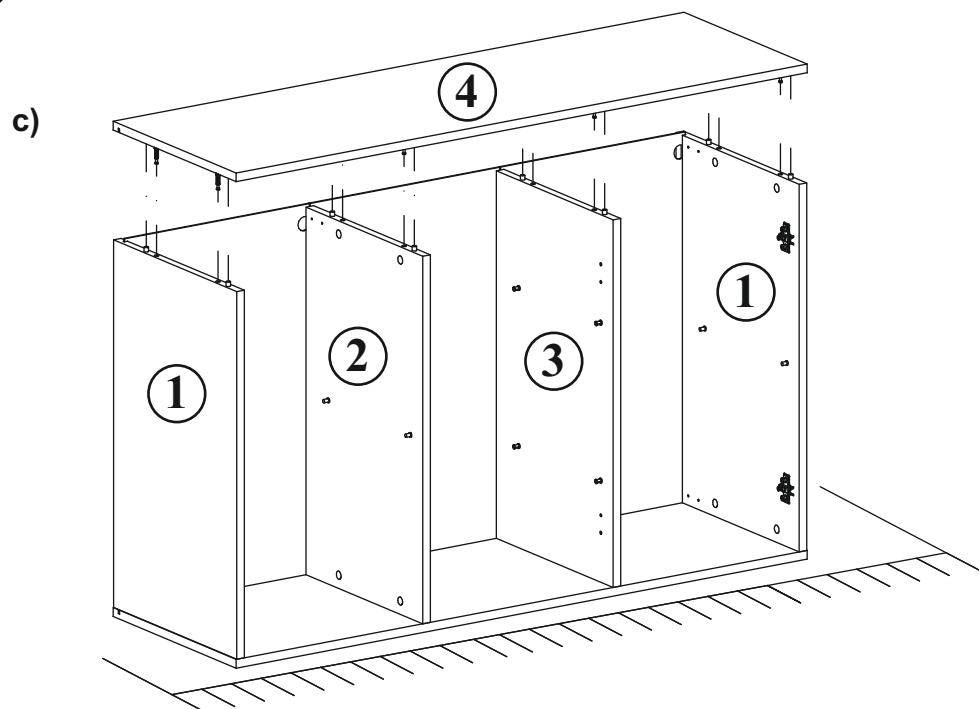
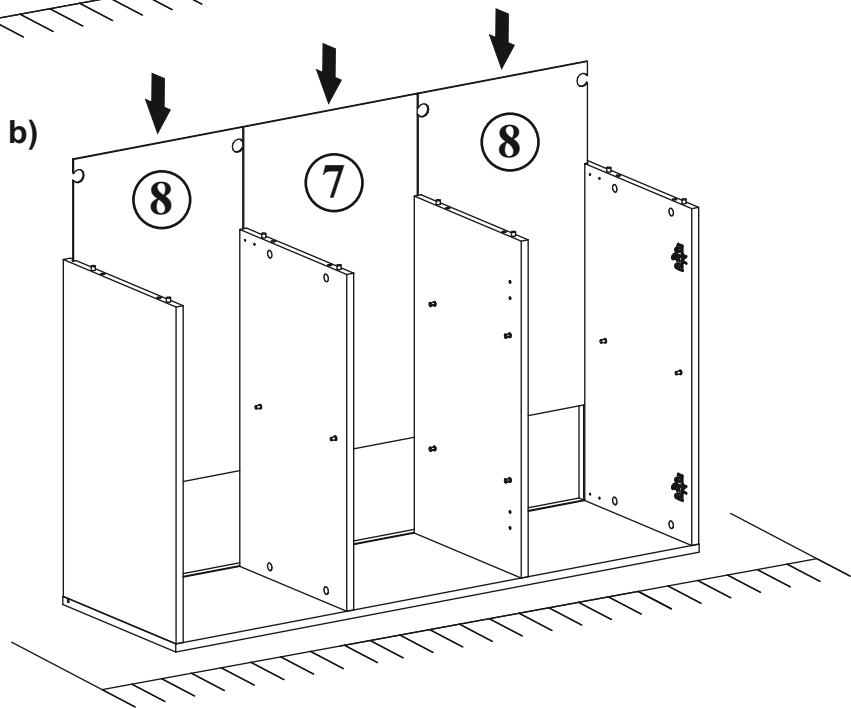
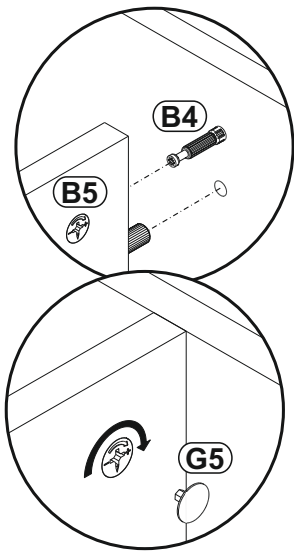
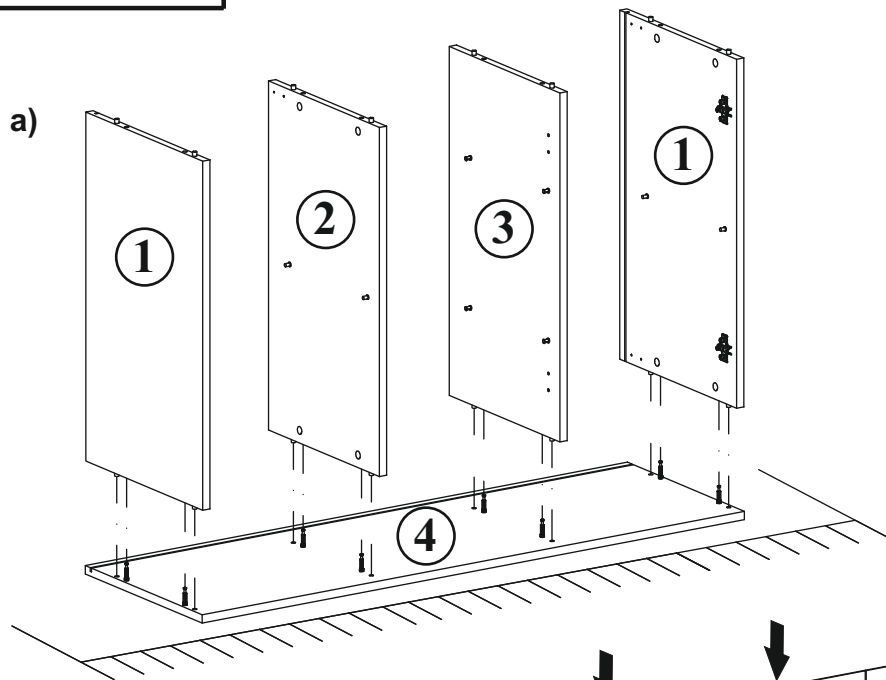


5



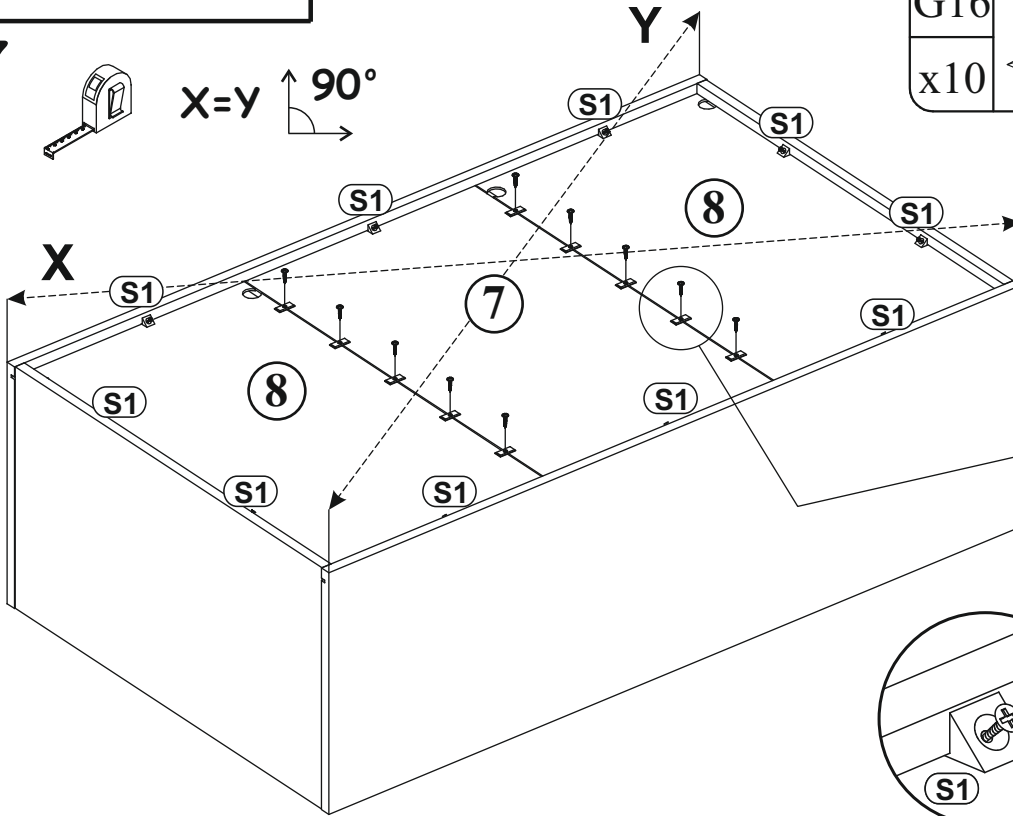
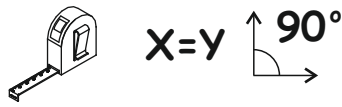


6



POINT TYP- SB II

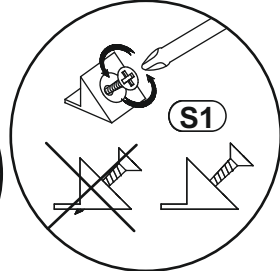
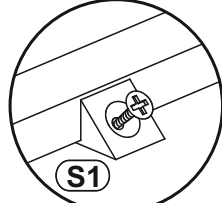
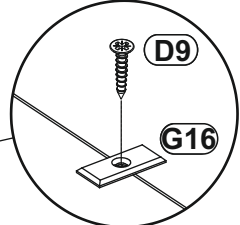
7



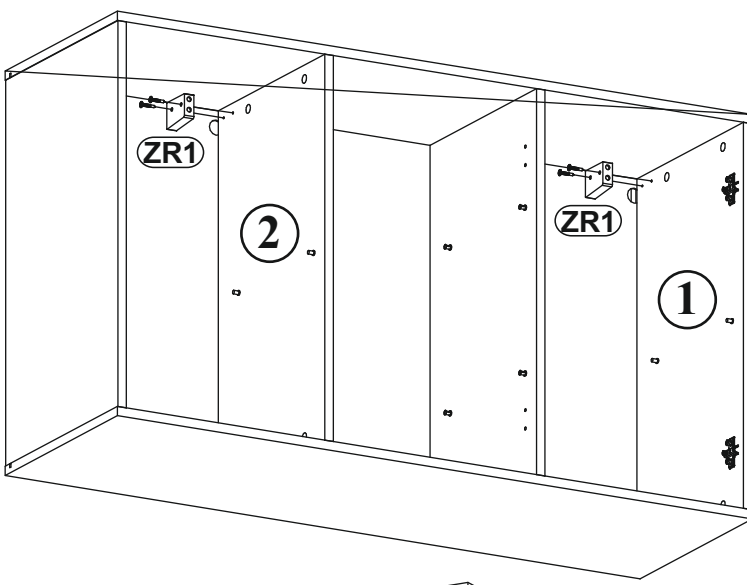
| | |
|-----|--|
| G16 | |
| x10 | |

| | |
|-----|---------|
| D9 | |
| x10 | USØ3x20 |

| | |
|-----|--|
| S1 | |
| x10 | |

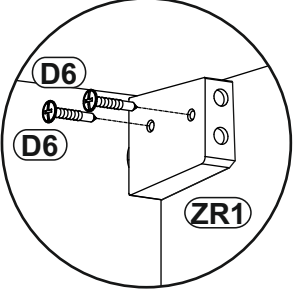
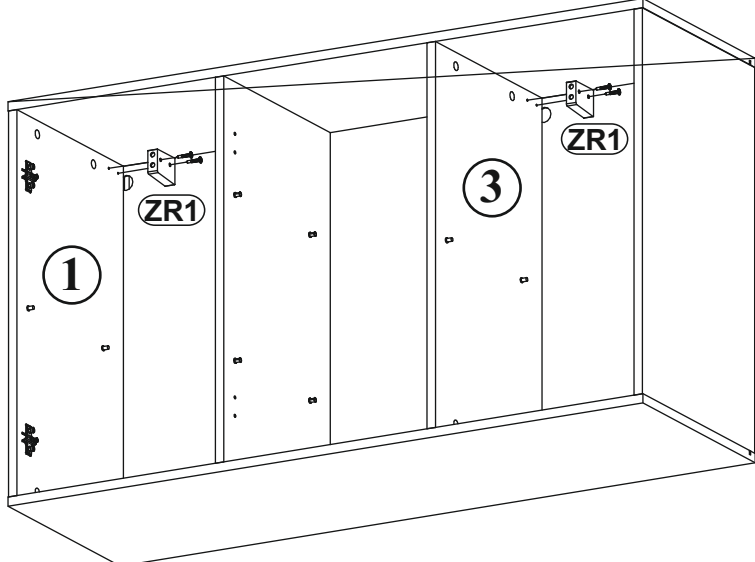
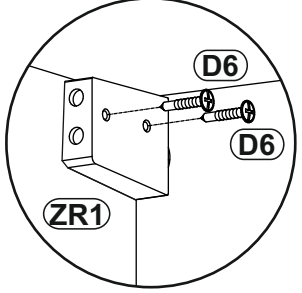


8



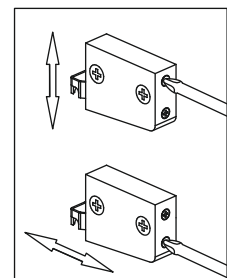
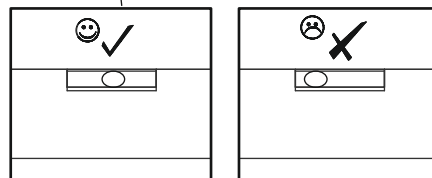
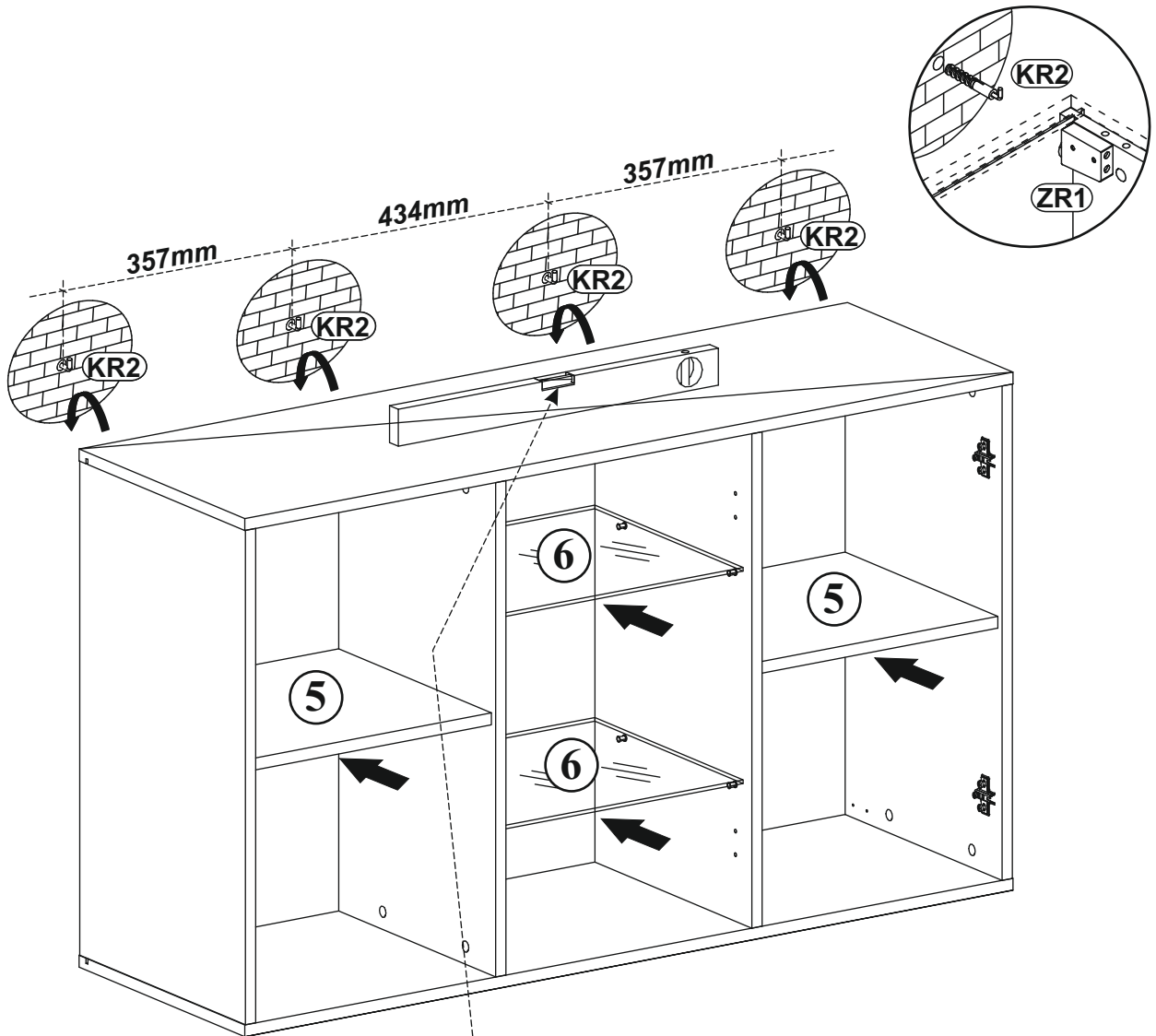
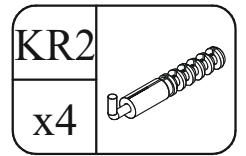
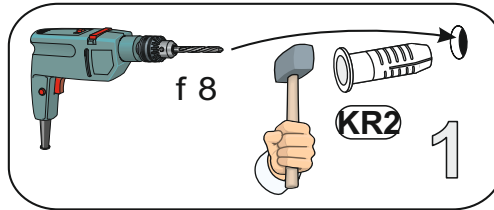
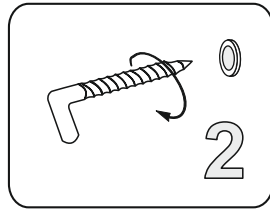
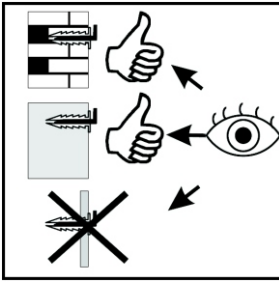
| | |
|-----|--|
| ZR1 | |
| x4 | |

| | |
|----|-----------|
| D6 | |
| x8 | USØ3,5x30 |

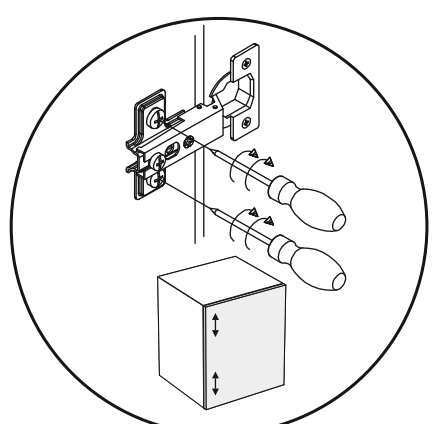
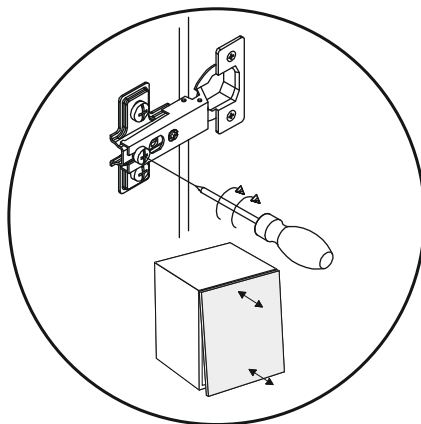
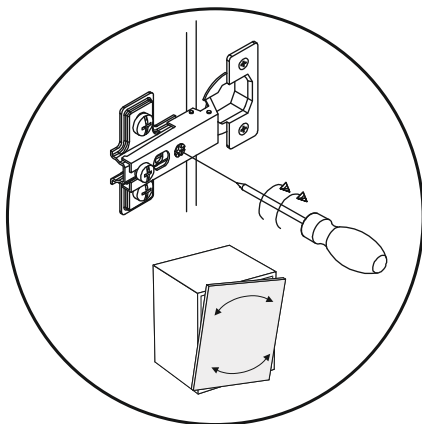
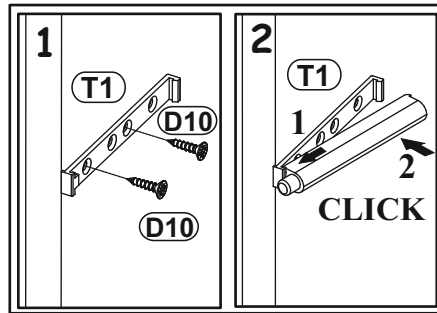
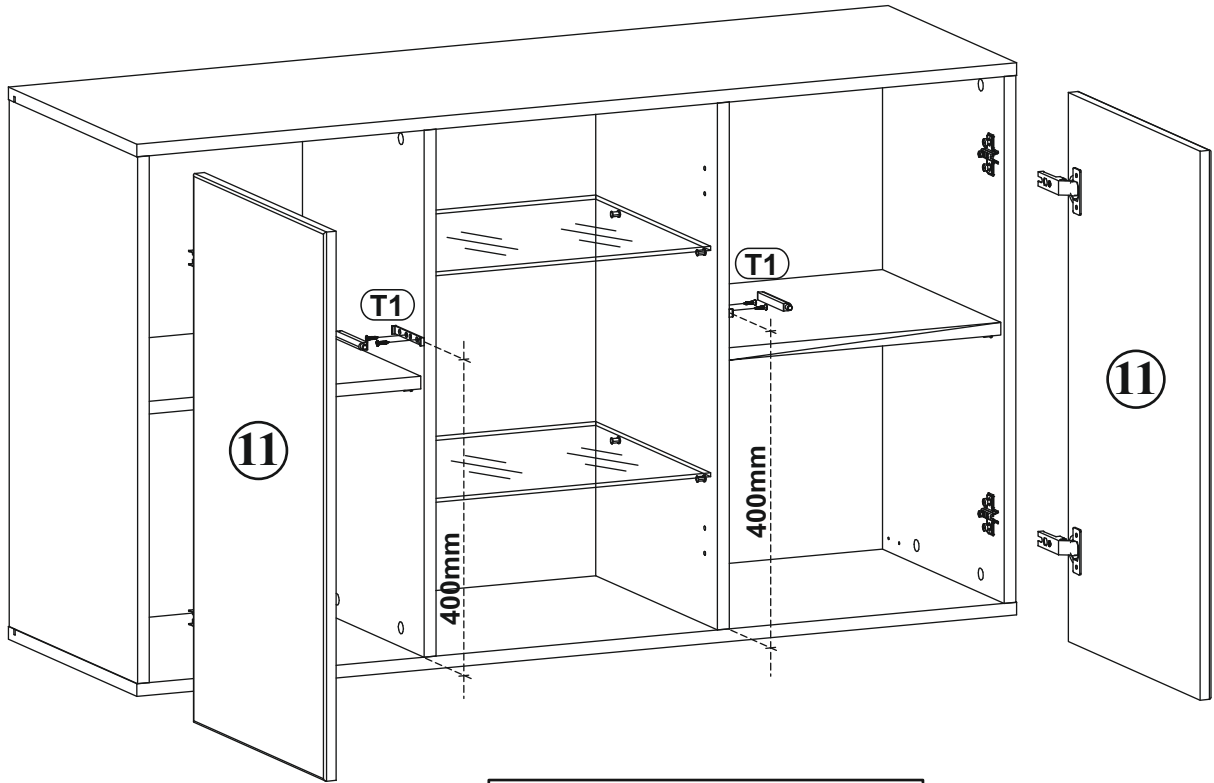
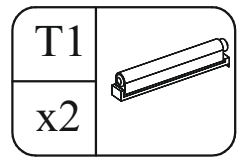
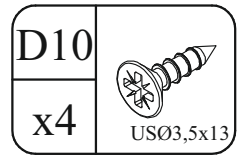


POINT TYP- SB II

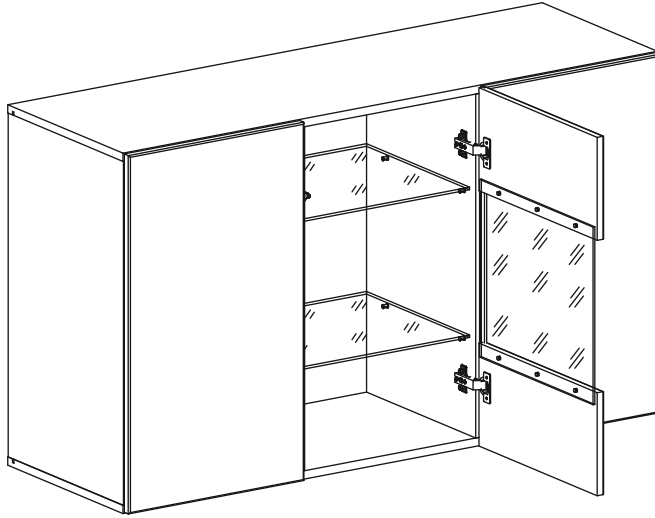
9



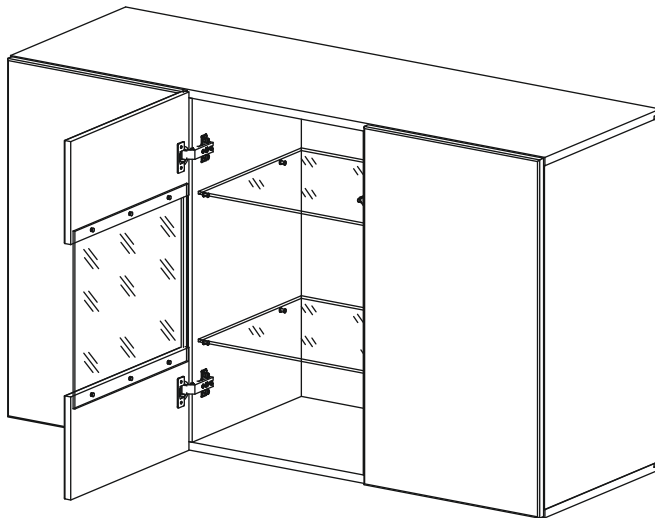
10



11 - 12

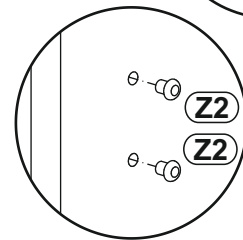
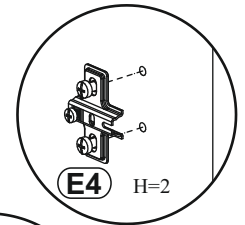
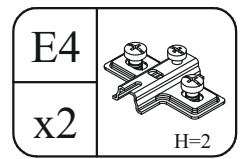
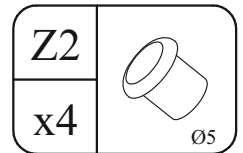
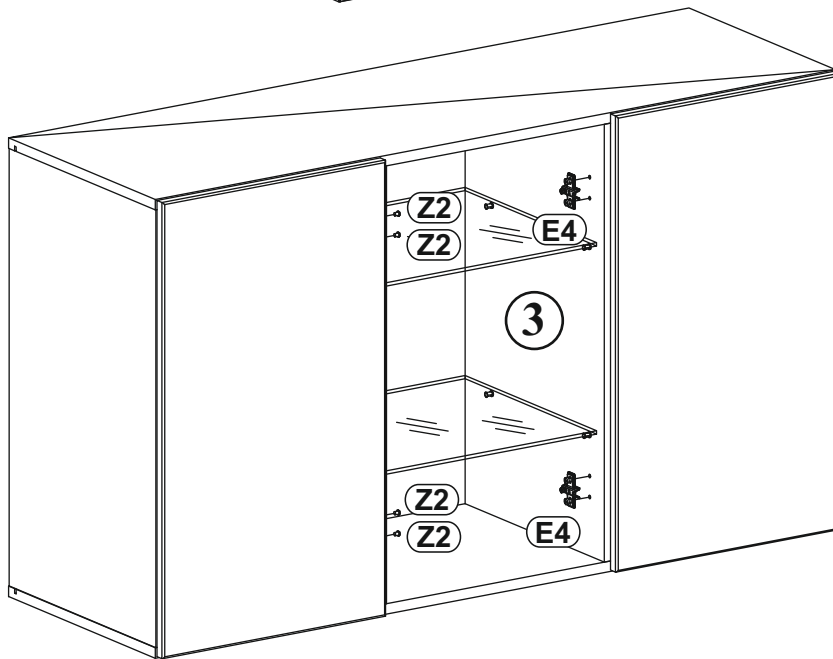
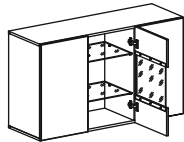


13 - 14

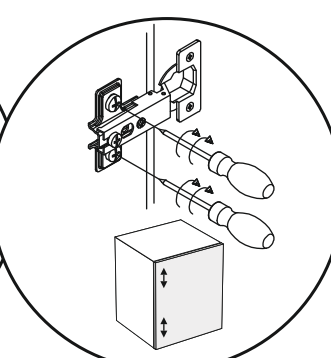
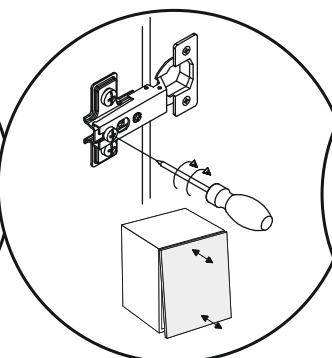
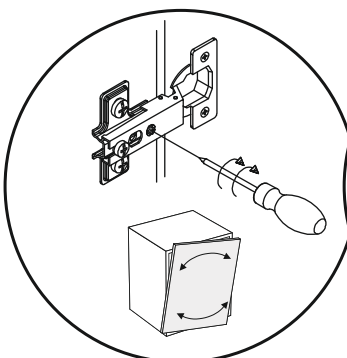
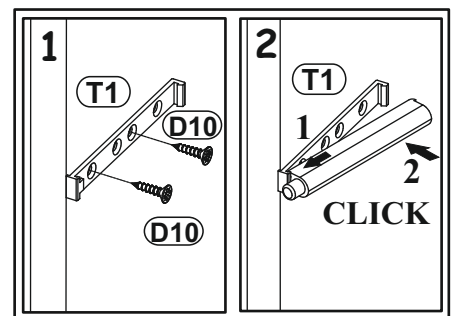
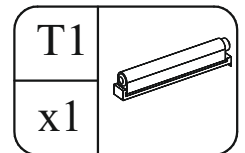
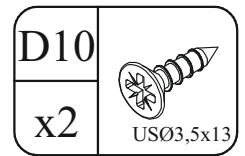
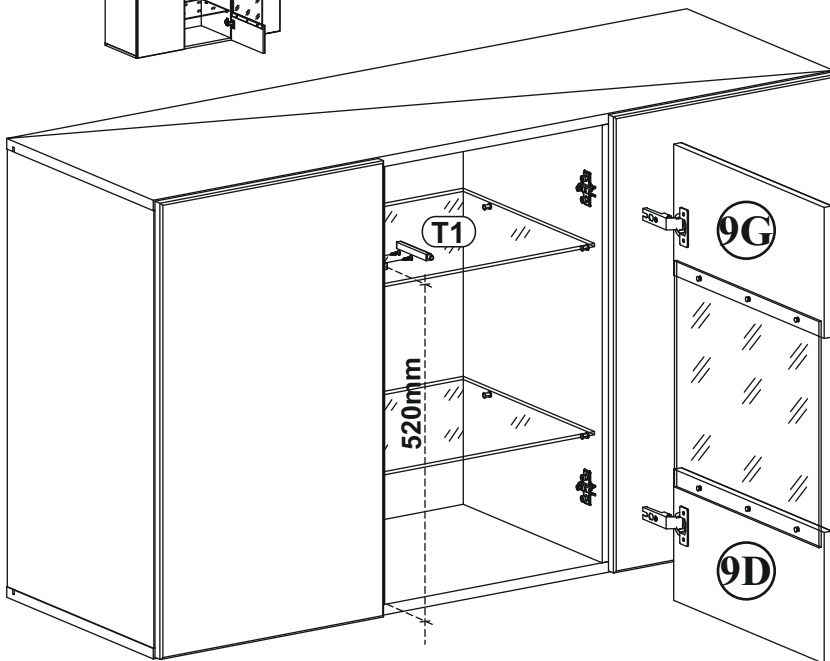
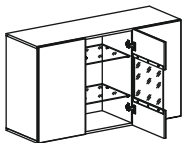


POINT TYP- SB II

11

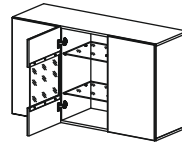
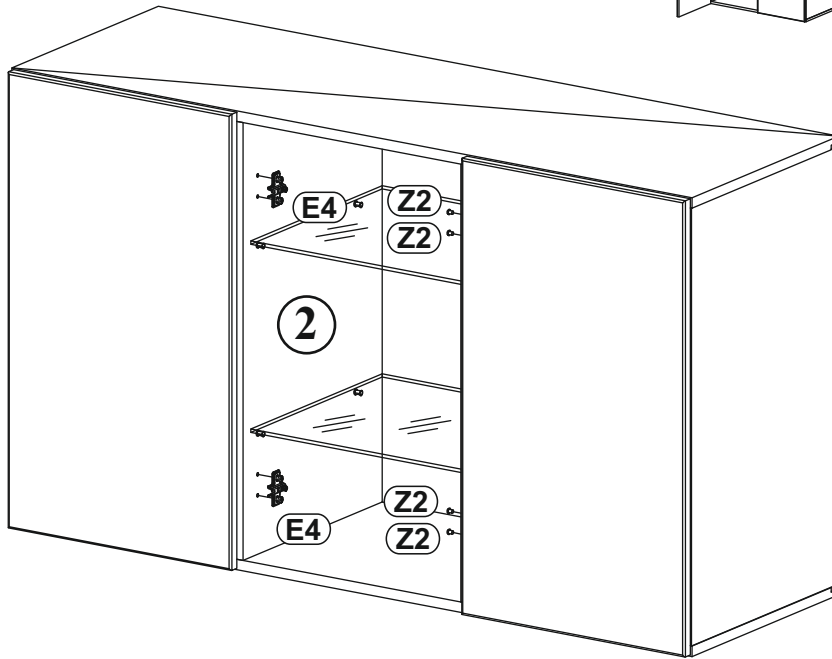



12

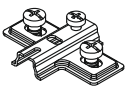


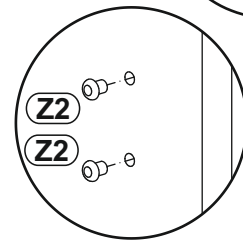
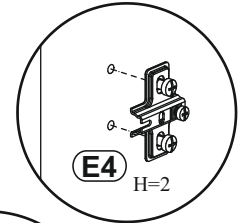
POINT TYP- SB II

13

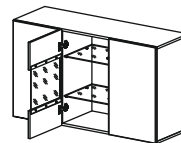
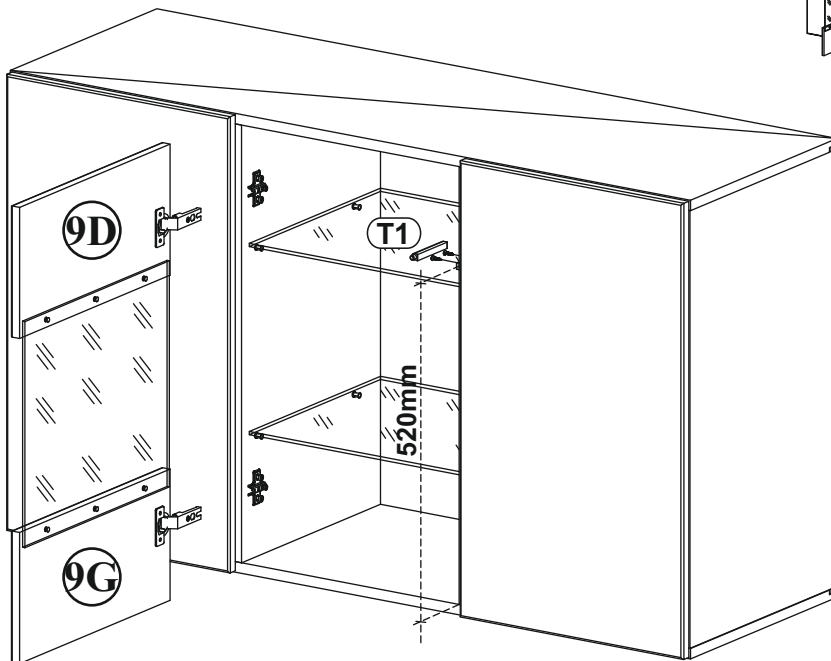



| | |
|----|---|
| Z2 |  |
| x4 | Ø5 |


| | |
|----|---|
| E4 |  |
| x2 | H=2 |



14



| | |
|-----|--|
| D10 |  |
| x2 | USØ3,5x13 |

| | |
|----|---|
| T1 |  |
| x1 | |

