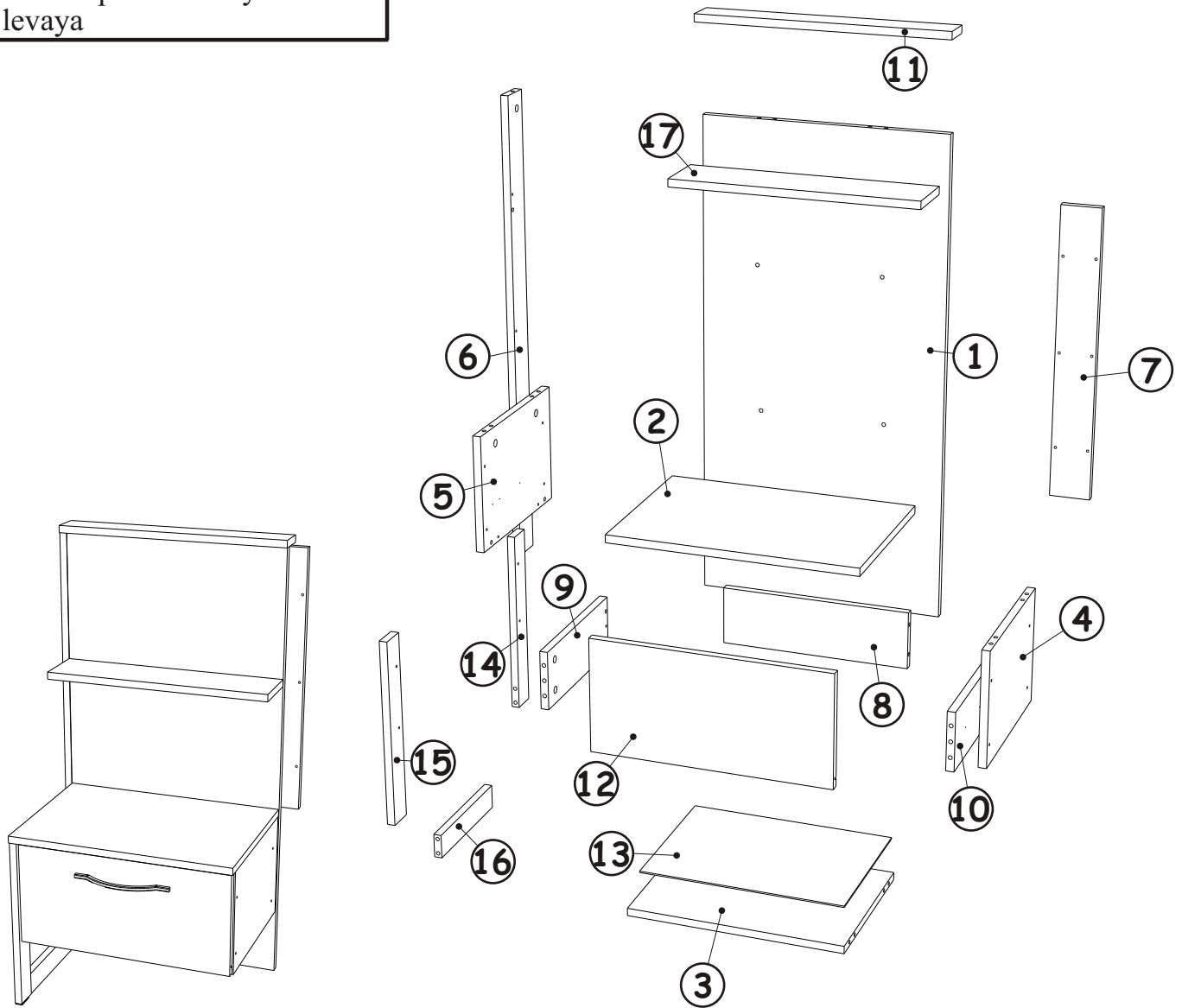
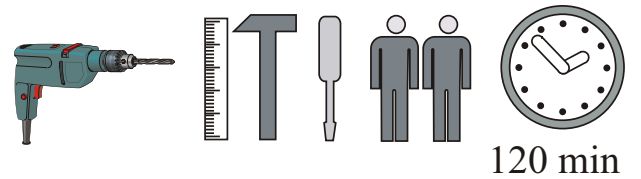


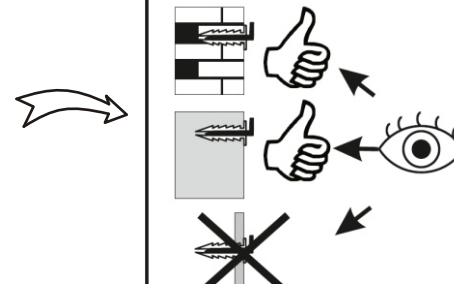
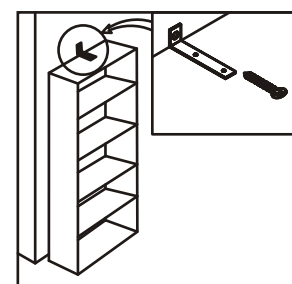
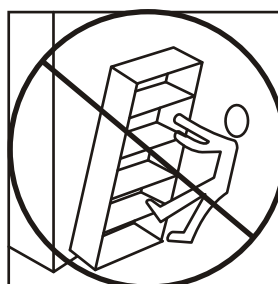
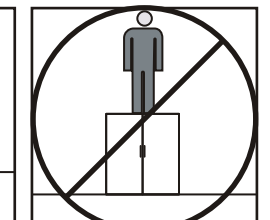
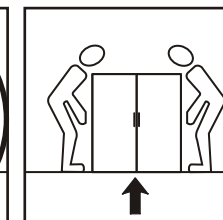
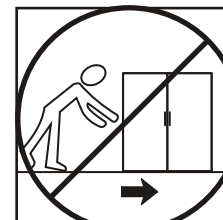
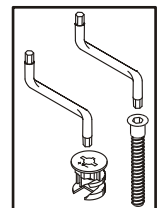
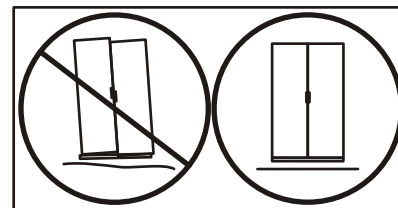
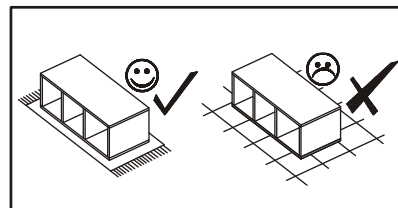
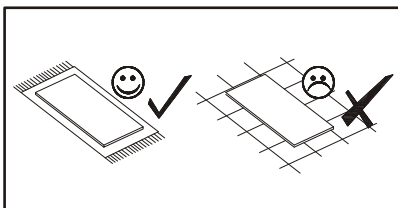
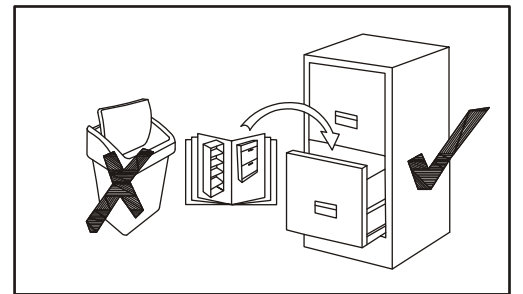
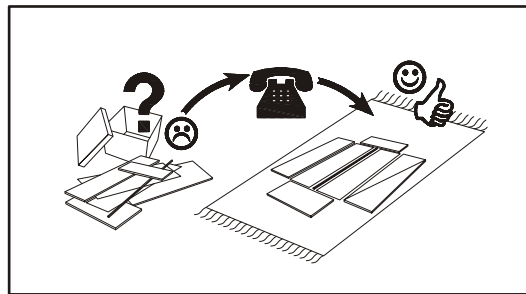
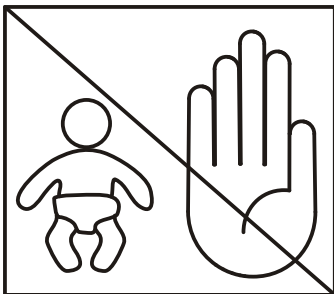
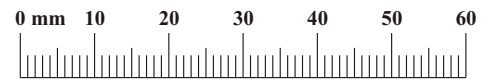
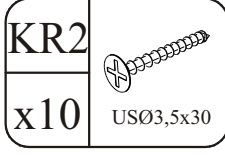
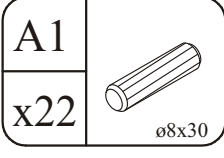
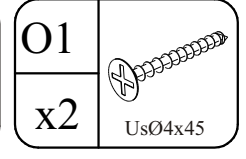
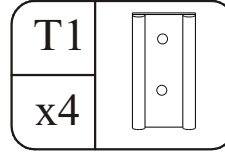
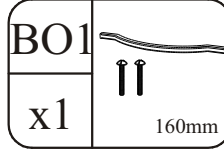
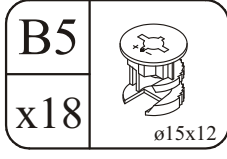
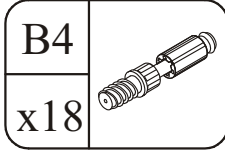
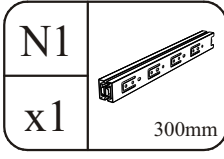
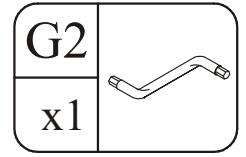
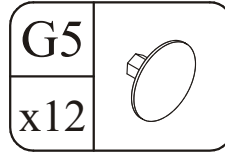
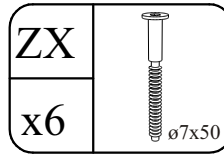
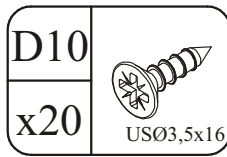
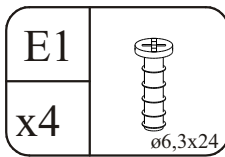
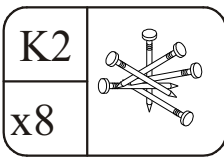
HUGO prikrovnaya tumba
levaya



| NO | Dim. | | Col.-No | Qty |
|----|------|-----|---------|-----|
| 1 | 499 | 984 | 1 | 1 |
| 2 | 497 | 346 | 1 | 1 |
| 3 | 447 | 323 | 1 | 1 |
| 4 | 234 | 324 | 1 | 1 |
| 5 | 234 | 324 | 1 | 1 |
| 6 | 984 | 66 | 1 | 1 |
| 7 | 584 | 80 | 1 | 1 |
| 8 | 389 | 120 | 1 | 1 |
| 9 | 300 | 120 | 1 | 1 |
| 10 | 300 | 120 | 1 | 1 |
| 11 | 516 | 67 | 1 | 1 |
| 12 | 473 | 228 | 1 | 1 |
| 13 | 417 | 304 | 1 | 1 |
| 14 | 384 | 50 | 1 | 1 |
| 15 | 384 | 50 | 1 | 1 |
| 16 | 244 | 50 | 1 | 1 |
| 17 | 499 | 120 | 1 | 1 |

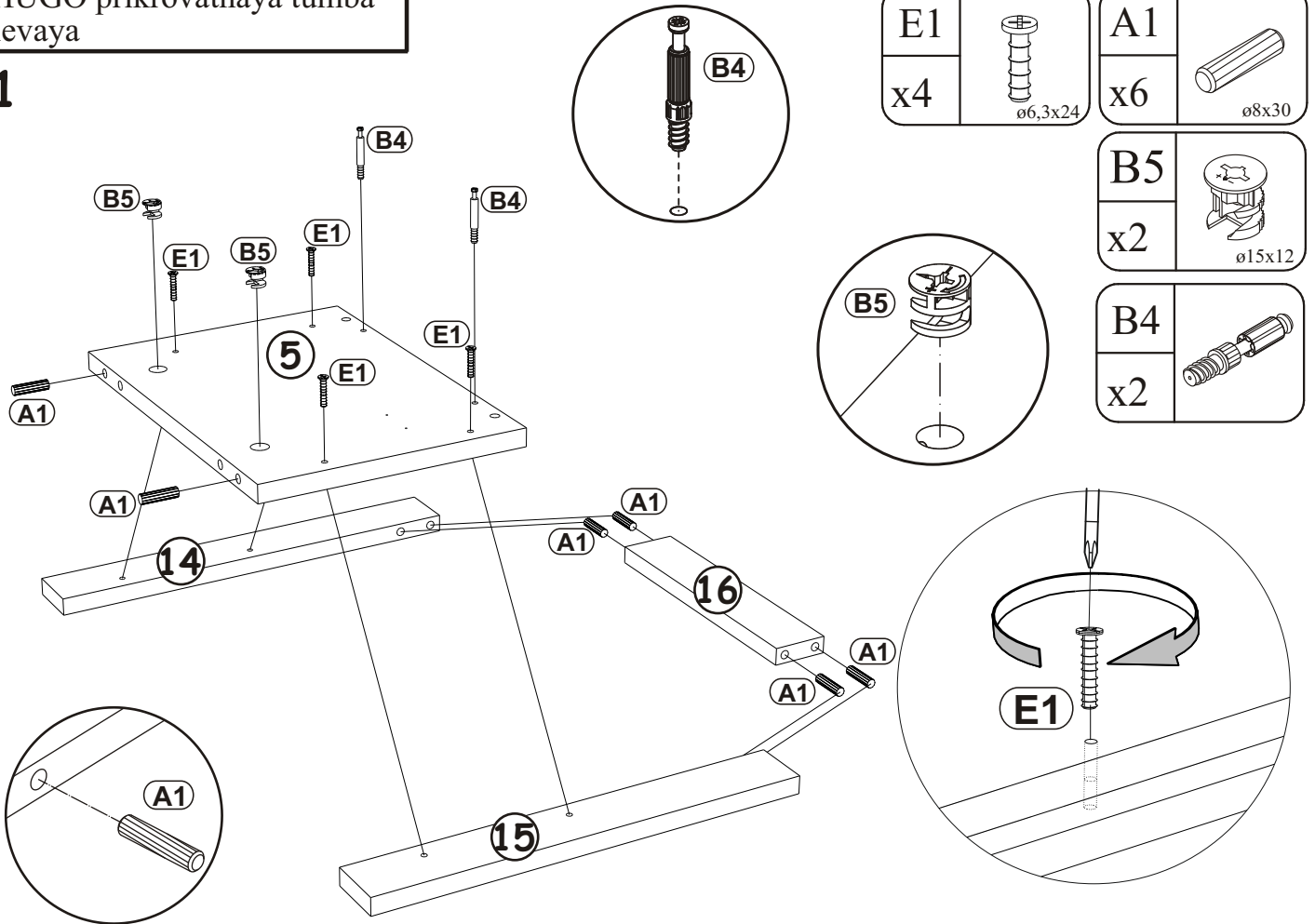


HUGO prikrovnatnaya tumba levaya

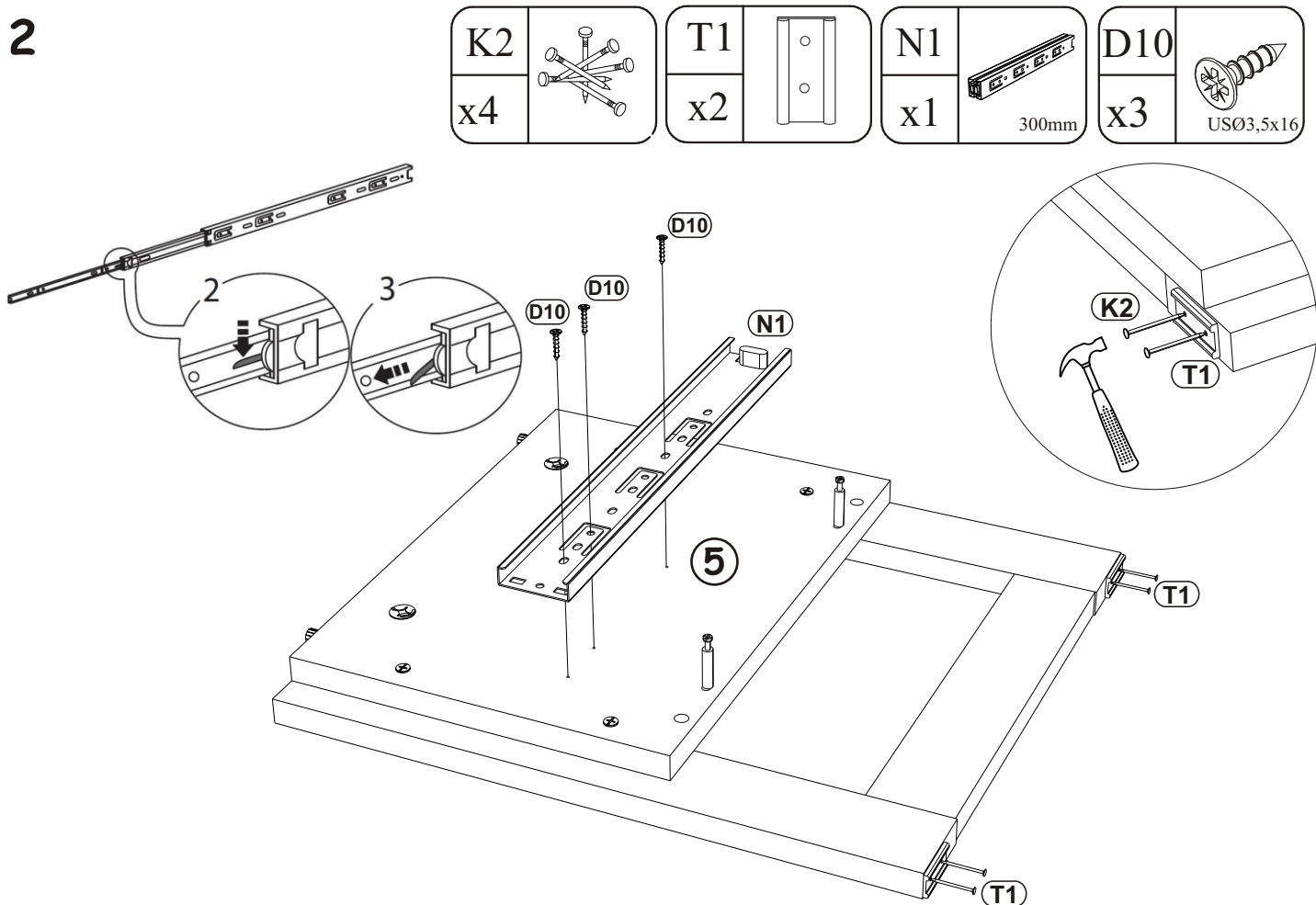


HUGO prikrovnaya tumba levaya

1

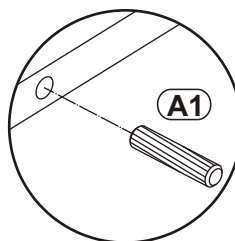
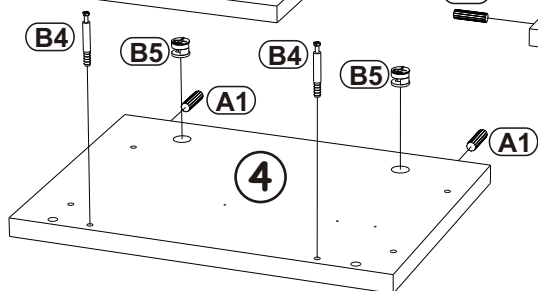
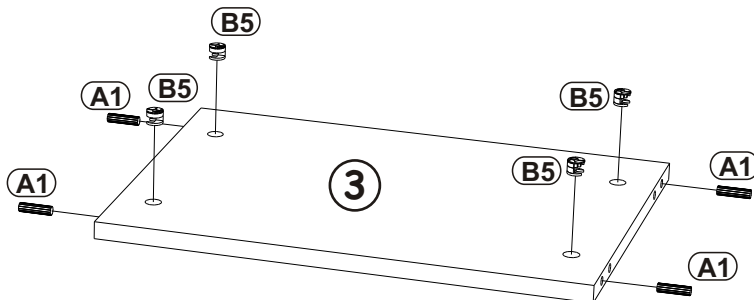
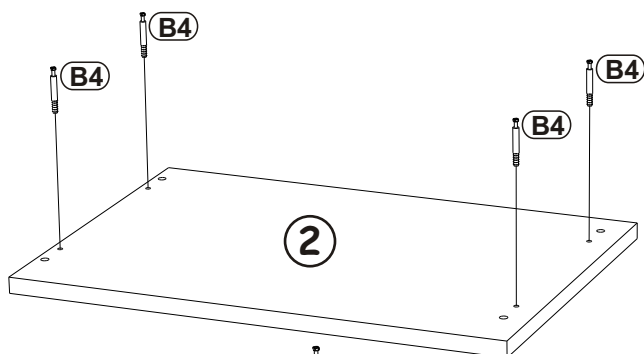
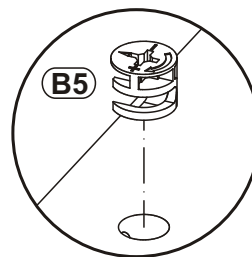
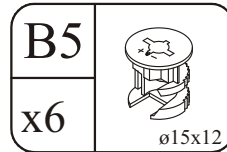
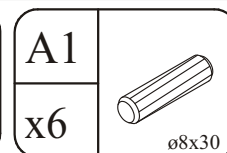
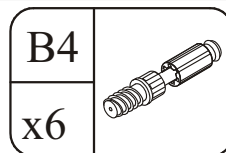
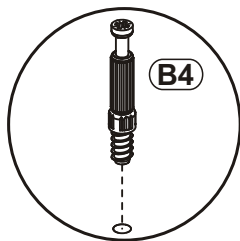


2

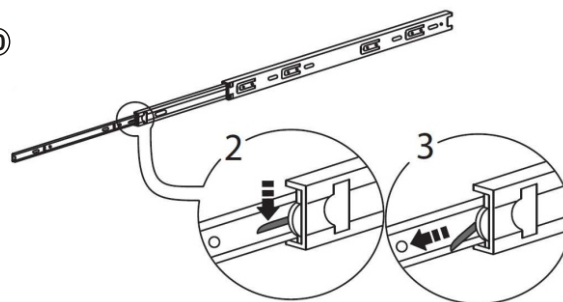
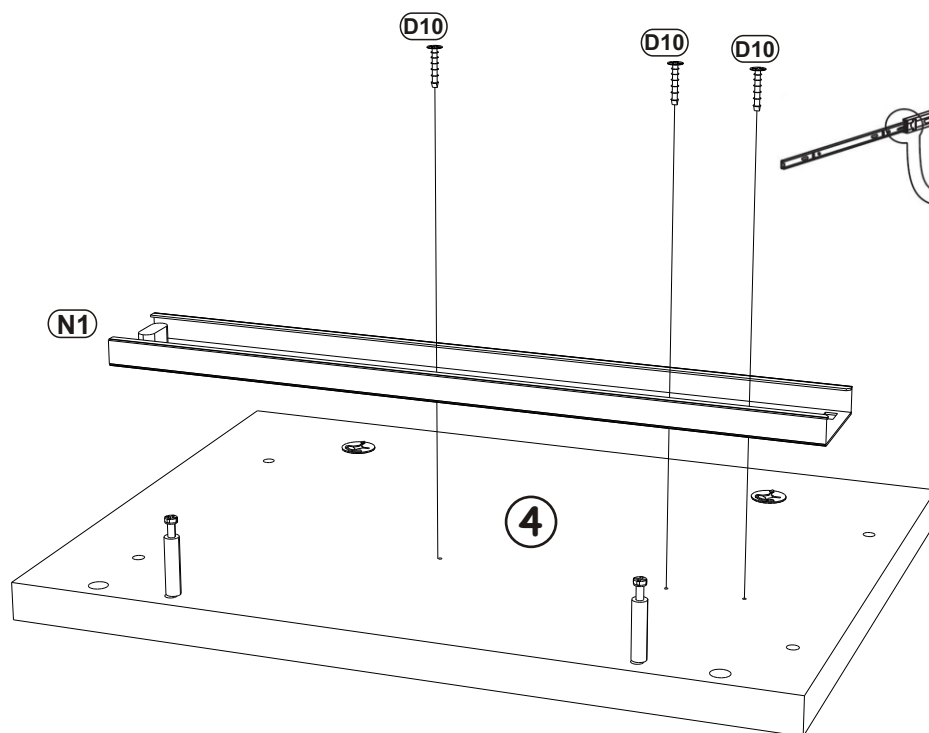
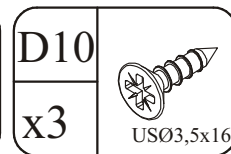
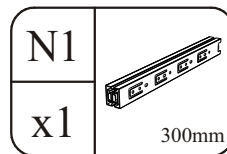


HUGO prikrovnatnaya tumba levaya


3



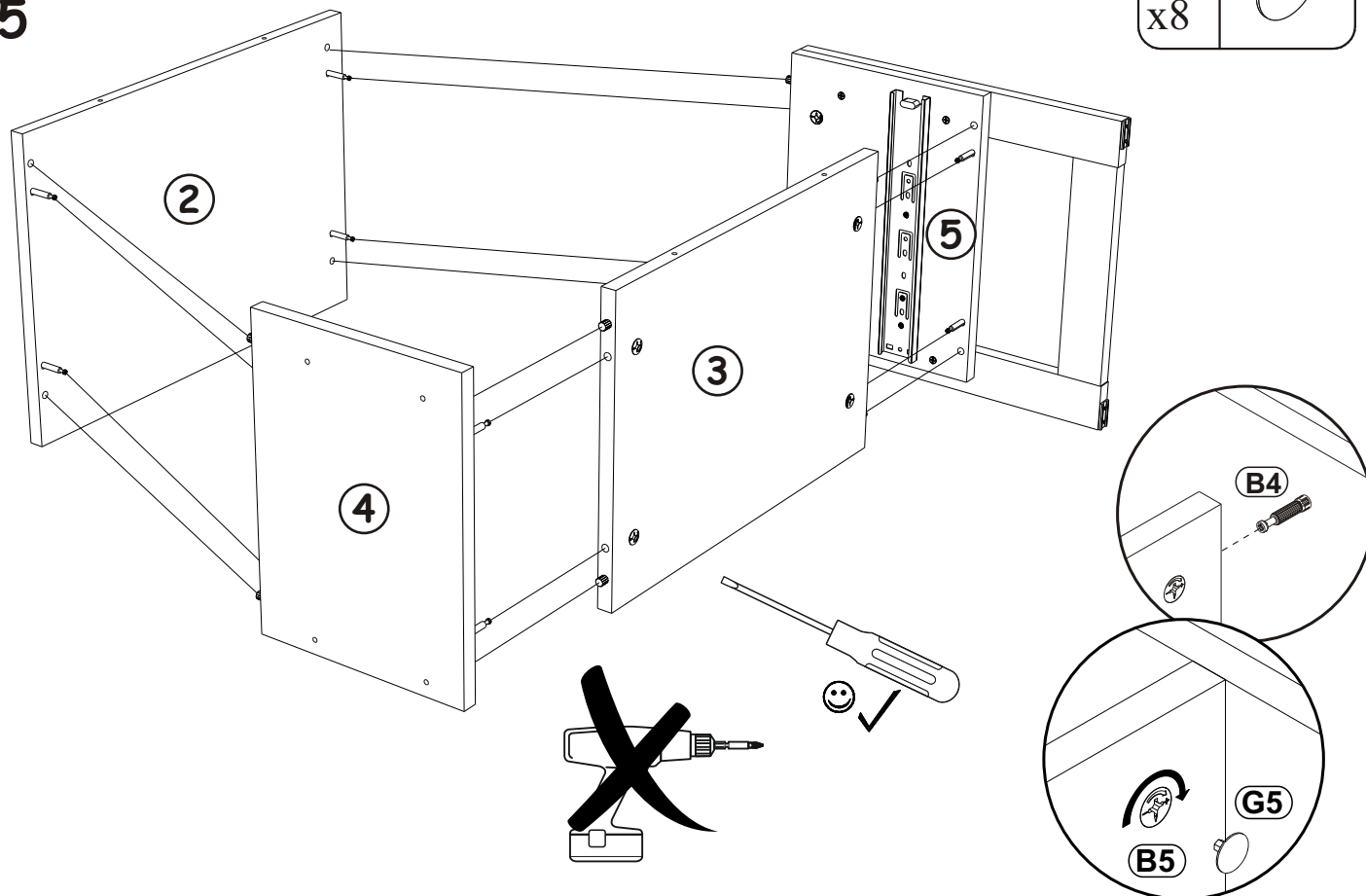
4



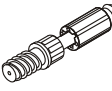
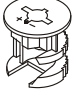
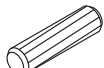
HUGO prikrovnatnaya tumba
levaya

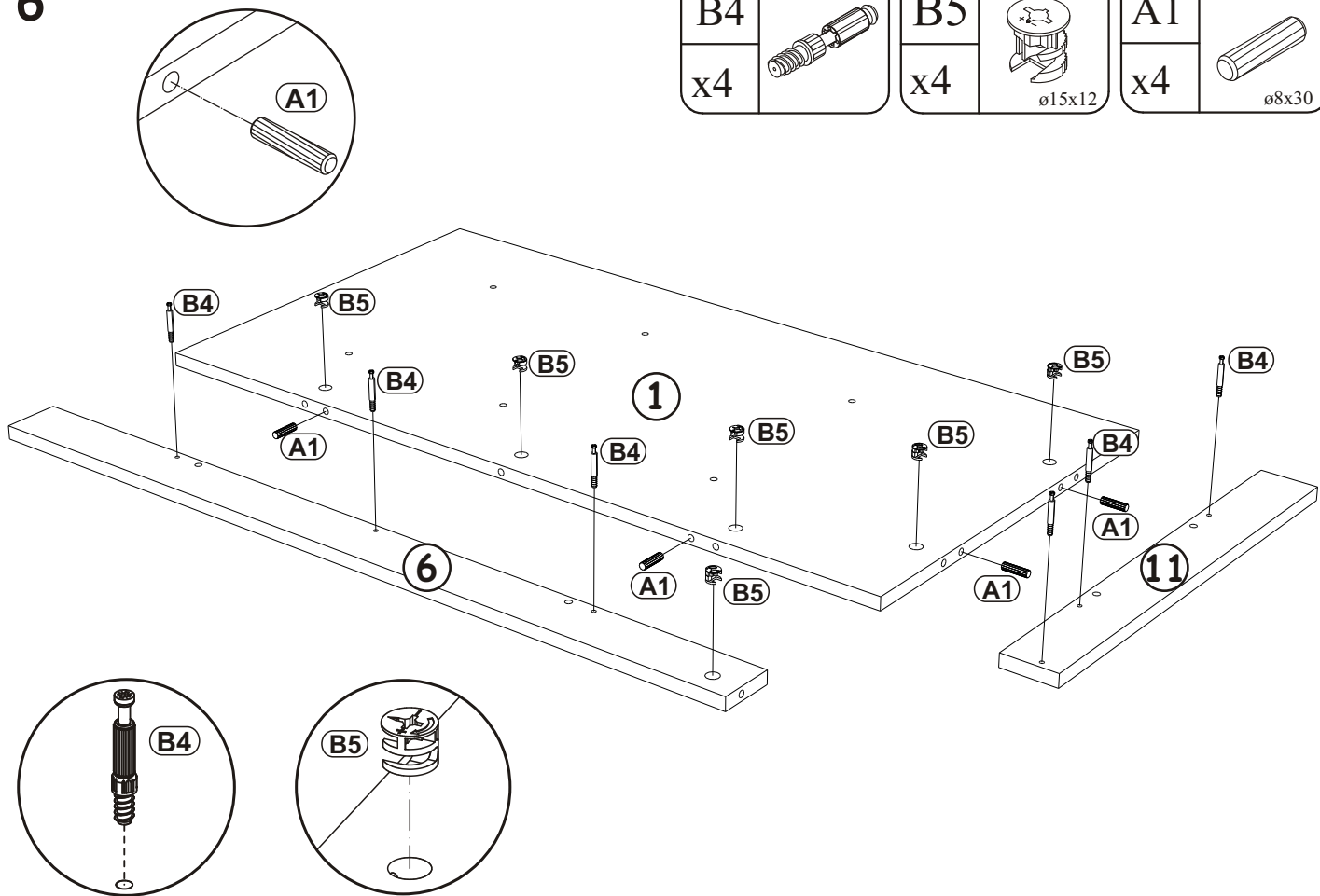
| | |
|----|---|
| G5 |  |
| x8 | |

5



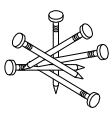
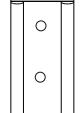
6

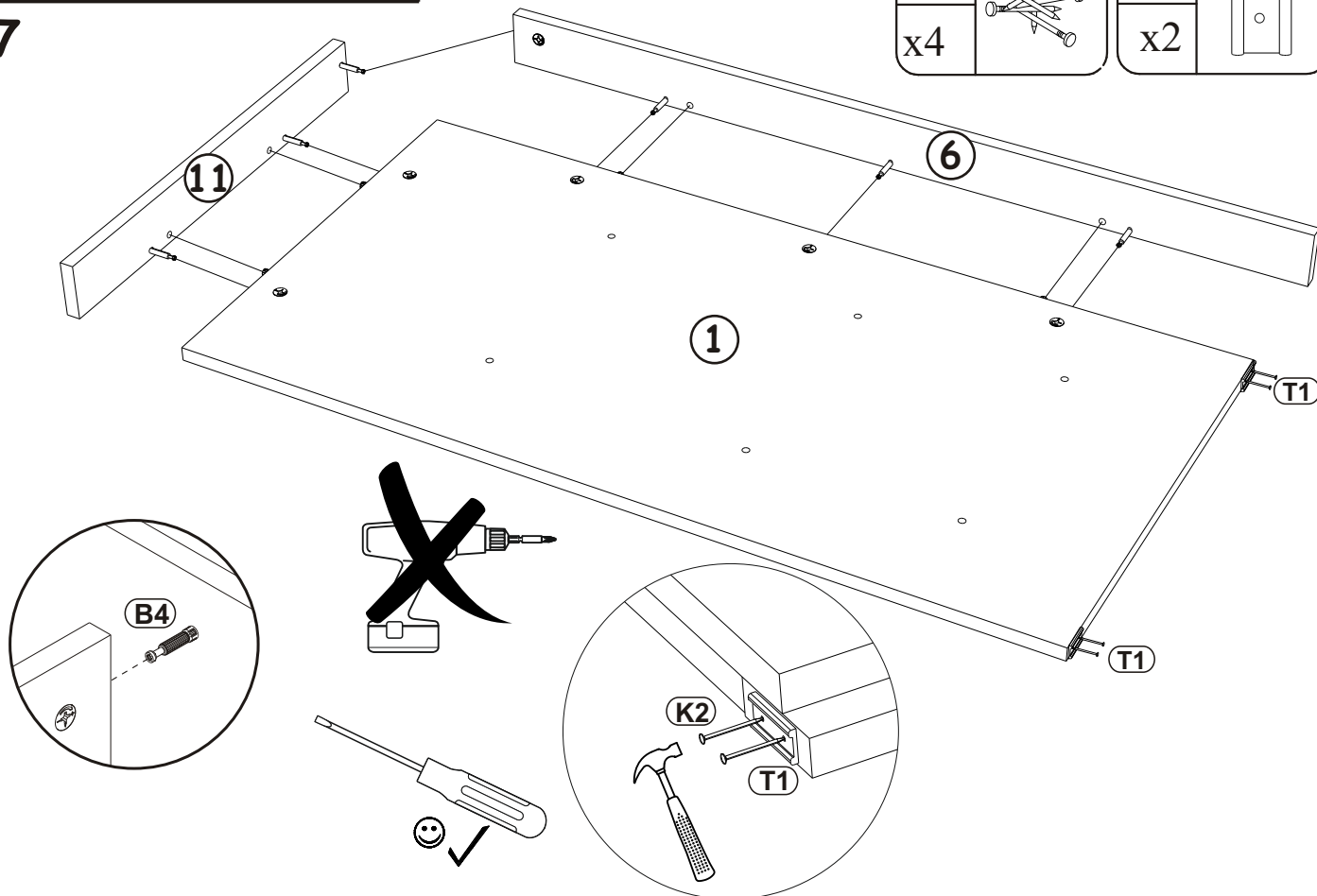
| | | | | | |
|----|--|----|---|----|---|
| B4 |  | B5 |  | A1 |  |
| x4 | | x4 | $\varnothing 15 \times 12$ | x4 | $\varnothing 8 \times 30$ |



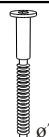
HUGO prikrovnatnaya tumba
levaya

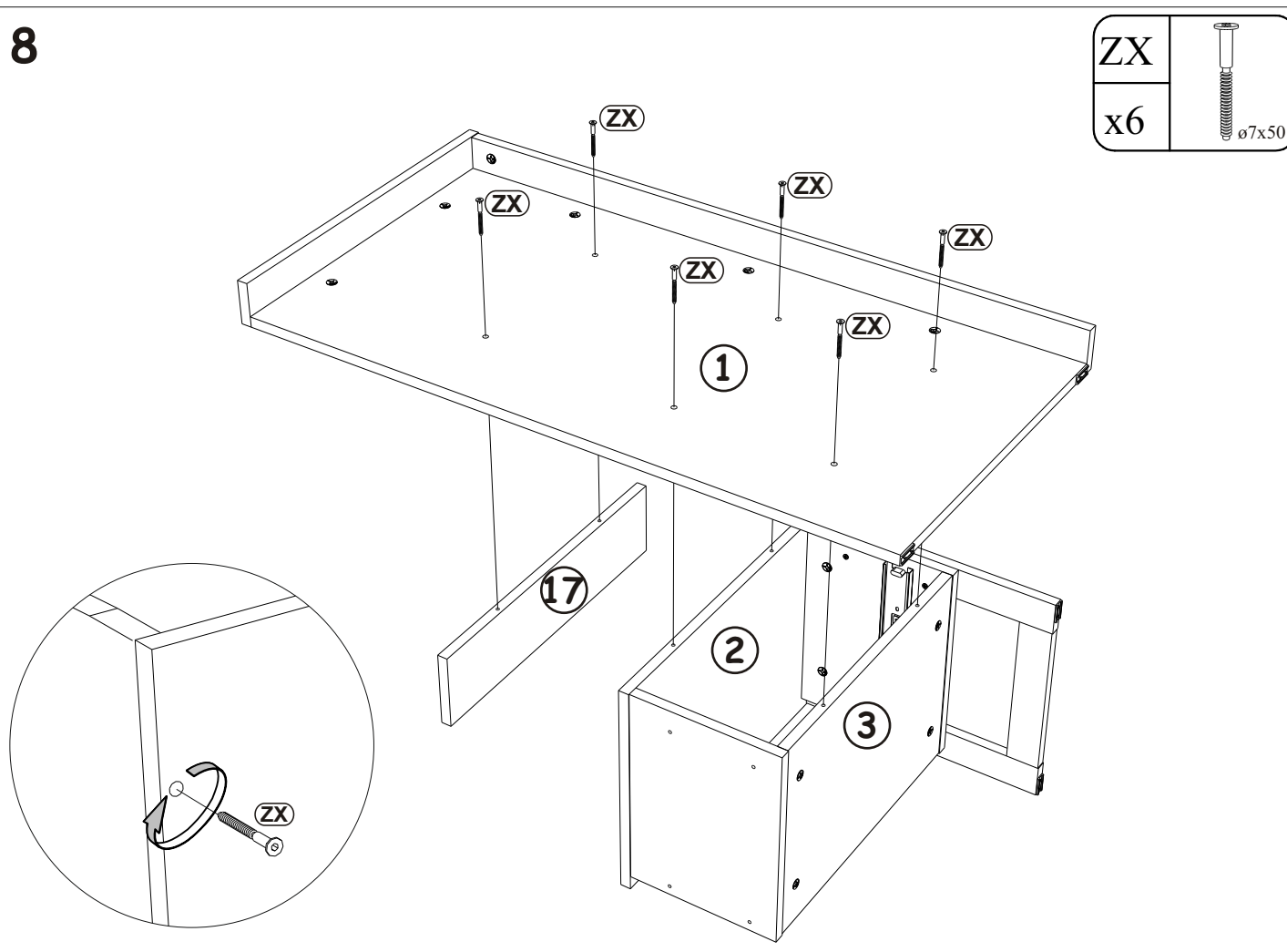
7

| | | | |
|----|--|----|--|
| K2 |  | T1 |  |
| x4 | | x2 | |

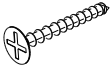


8

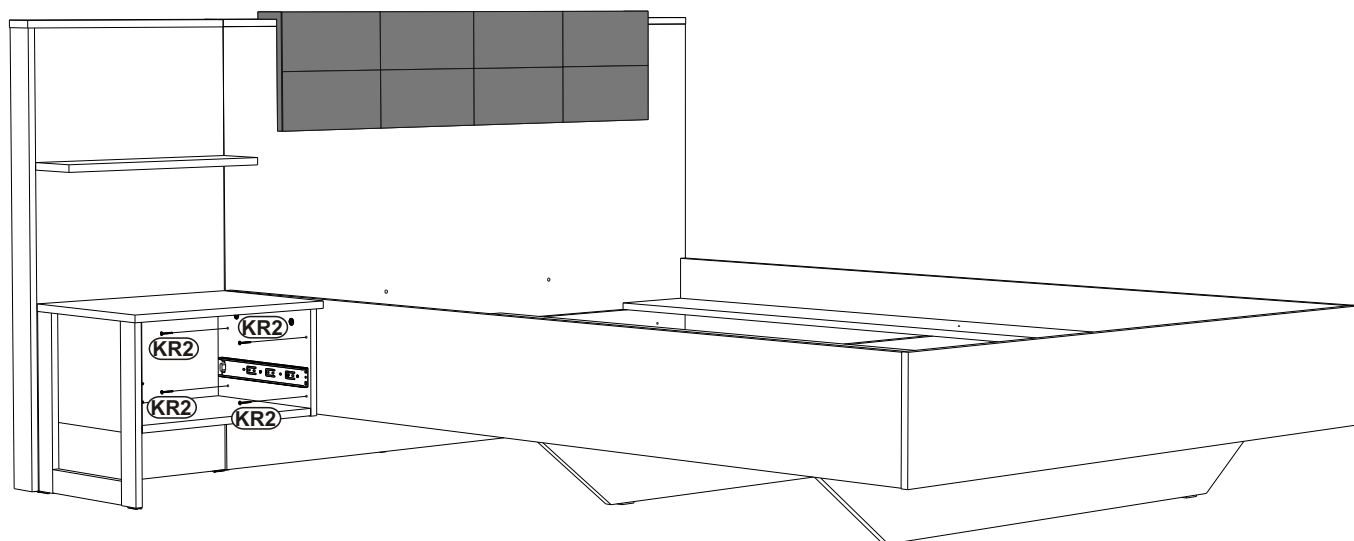
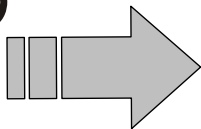
| | |
|----|---|
| ZX |  |
| x6 | $\varnothing 7 \times 50$ |




HUGO prikrovnaya tumba
levaya

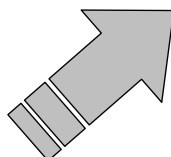
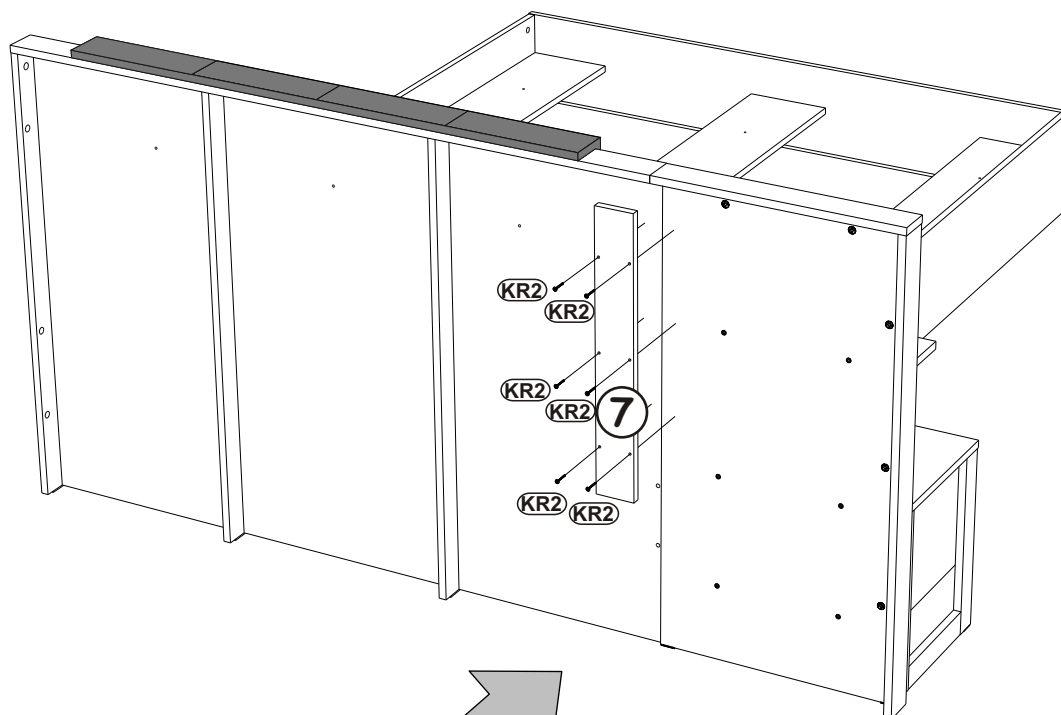
| | |
|-----|---|
| KR2 |  |
| x4 | USØ3,5x30 |

9



10

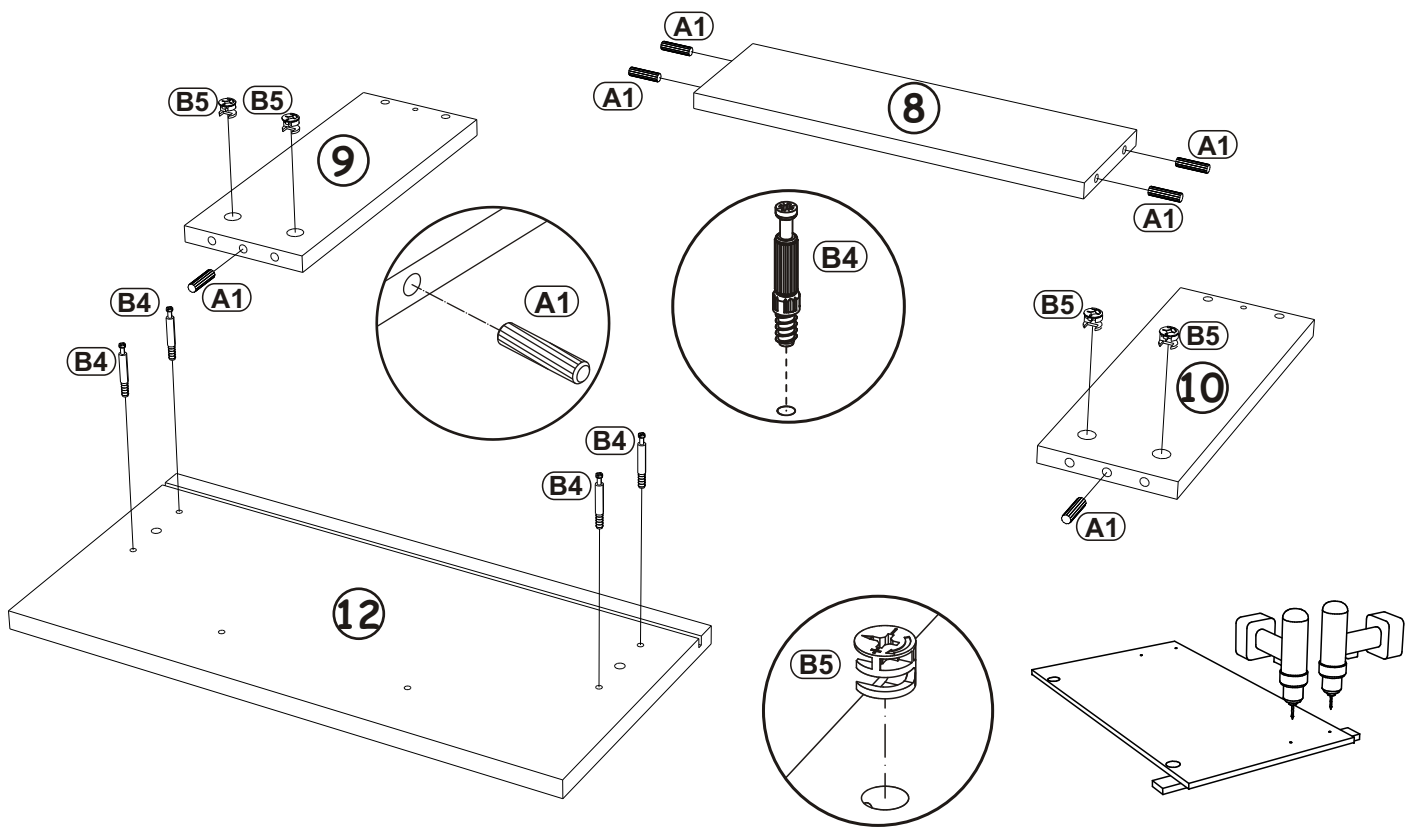
| | |
|-----|---|
| KR2 |  |
| x6 | USØ3,5x30 |



HUGO prikrovnaya tumba
levaya

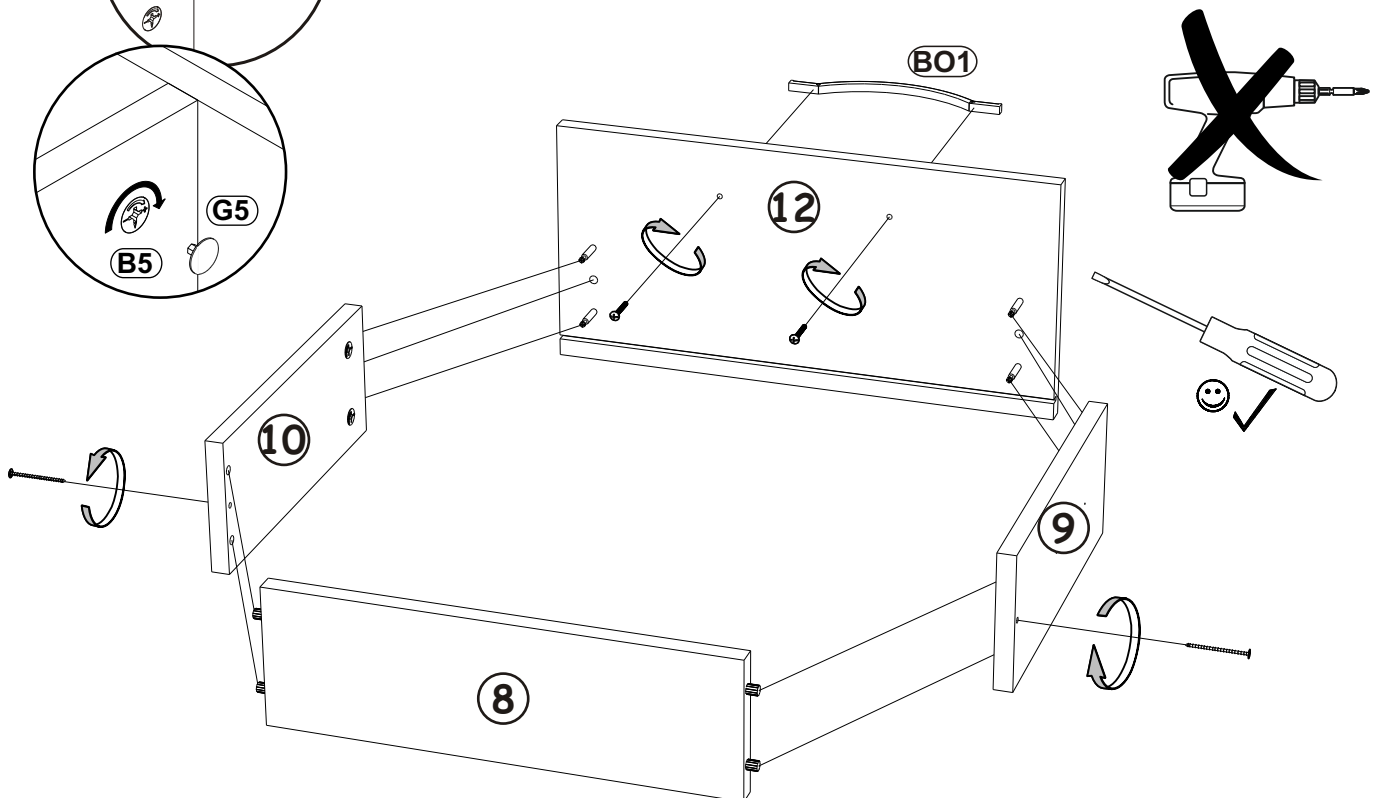
11

| | | | | | |
|----|--|----|--------|----|-------|
| B4 | | B5 | | A1 | |
| x4 | | x4 | ø15x12 | x6 | ø8x30 |

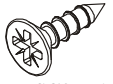


12

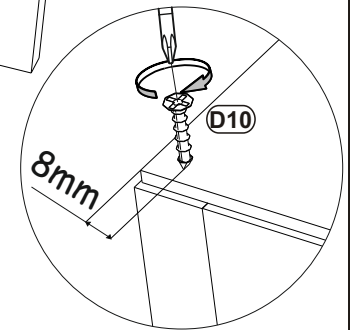
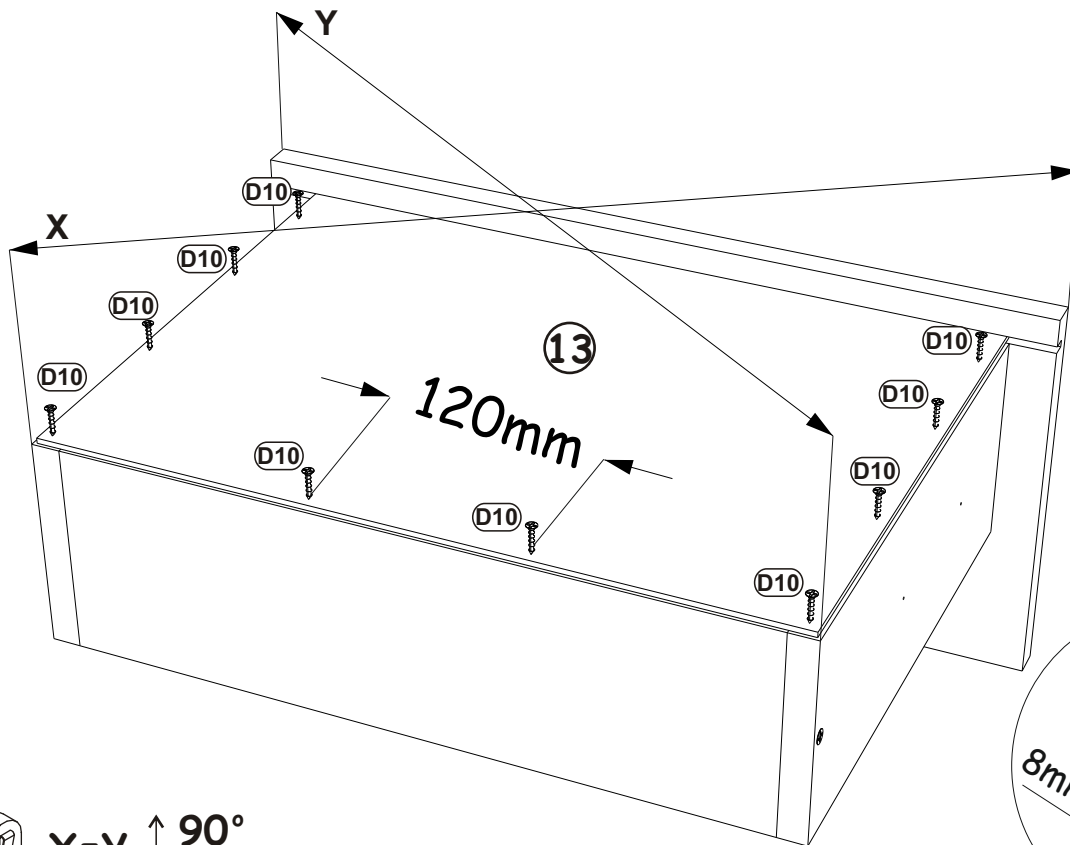
| | | | | | |
|----|--|----|---------|-----|-------|
| G5 | | O1 | | BO1 | |
| x4 | | x2 | UsØ4x45 | x1 | 160mm |




HUGO prikrovnatnaya tumba
levaya

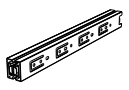
| | |
|-----|--|
| D10 |  USØ3,5x16 |
| x10 | |

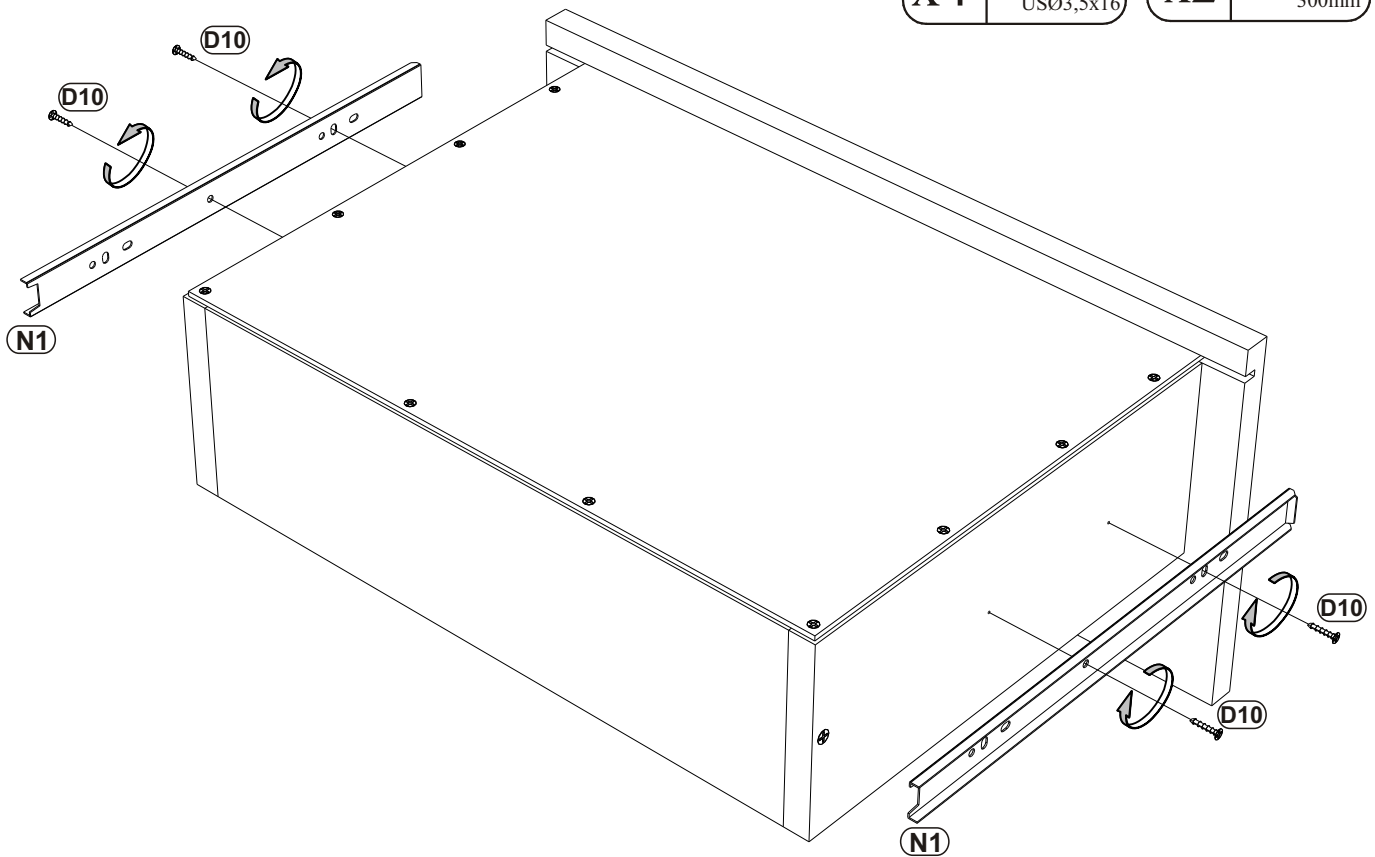
13



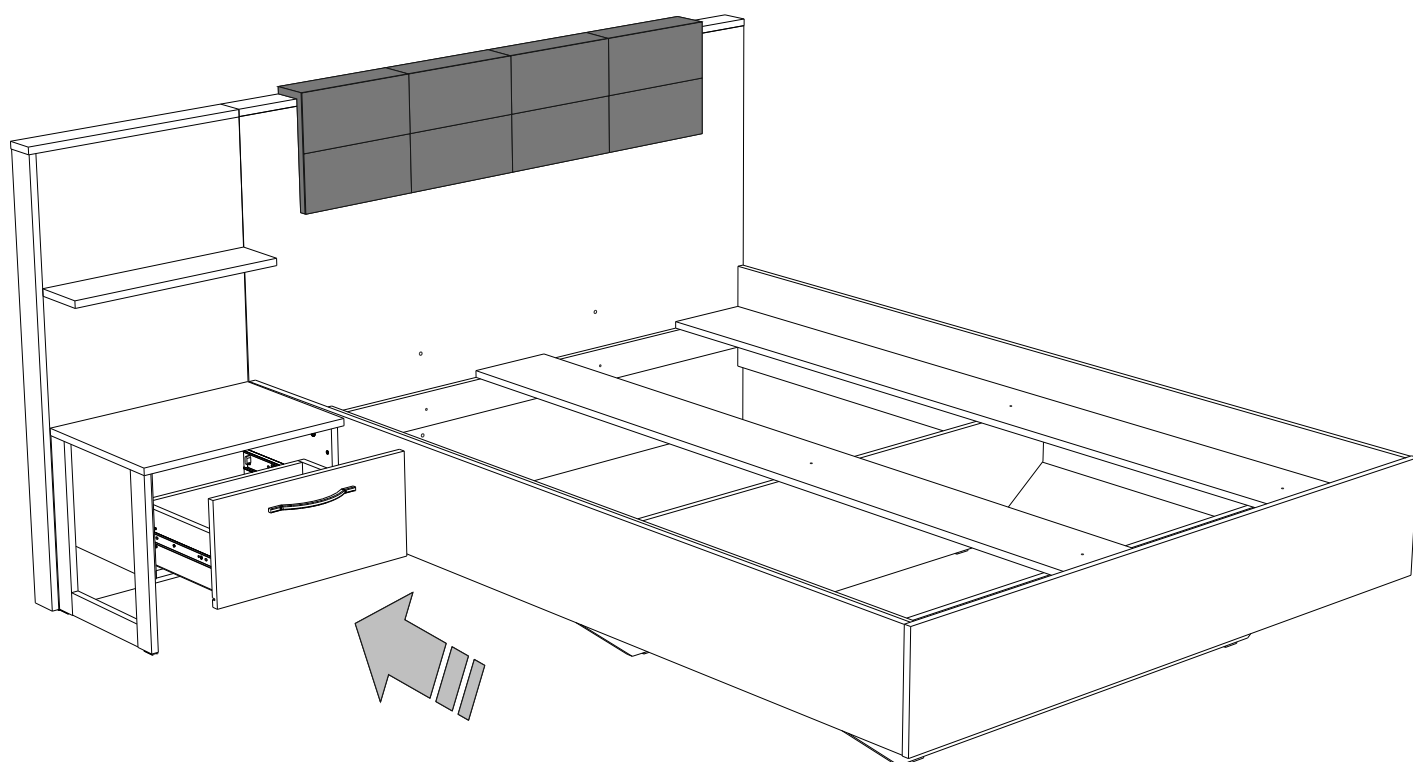
14

| | |
|-----|--|
| D10 |  USØ3,5x16 |
| x4 | |

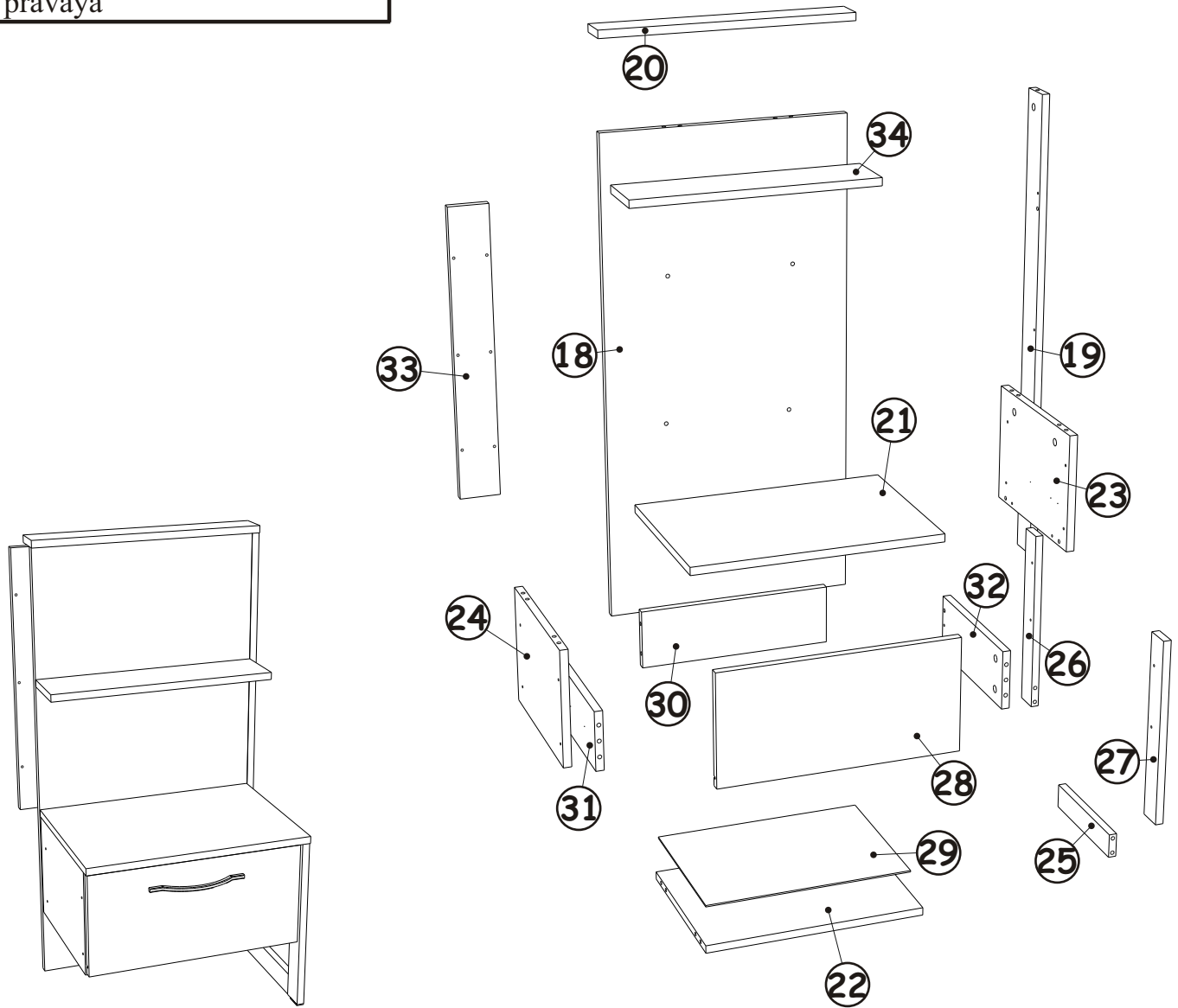
| | |
|----|--|
| N1 |  300mm |
| x2 | |



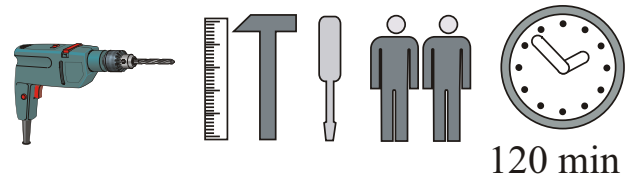
15



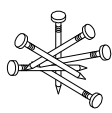


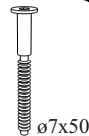


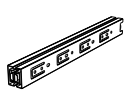
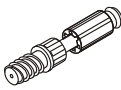

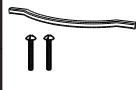
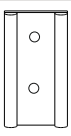

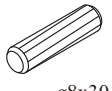
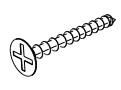
HUGO prikrovnaya tumba pravaya

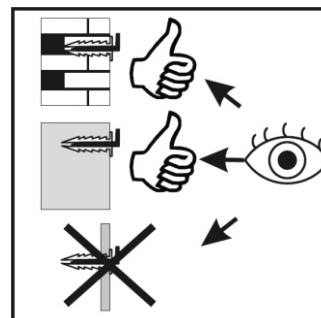
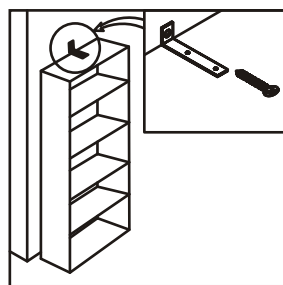
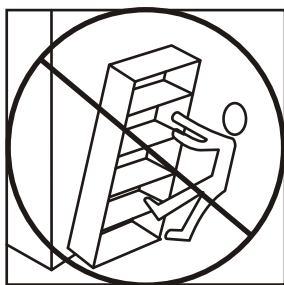
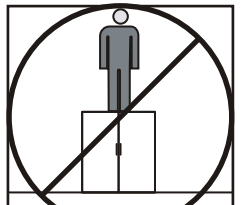
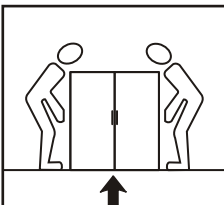
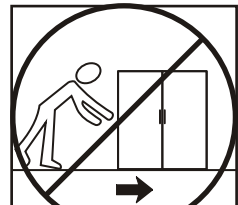
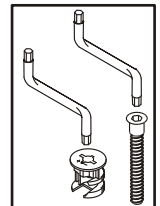
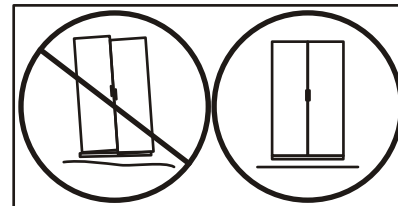
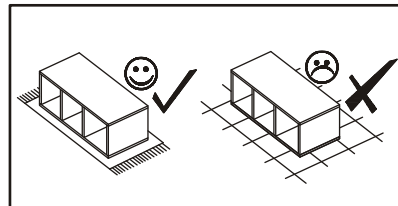
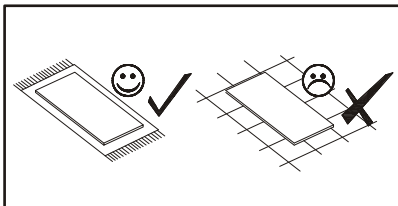
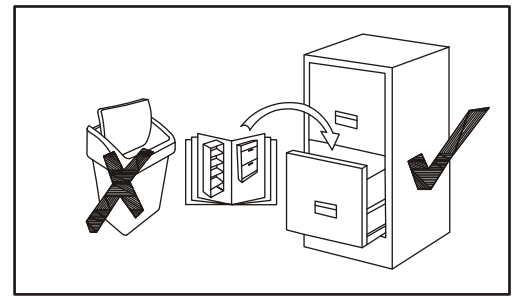
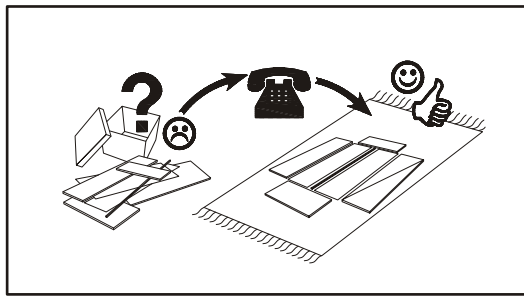
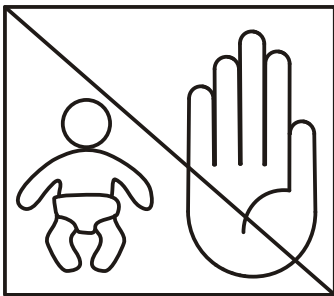
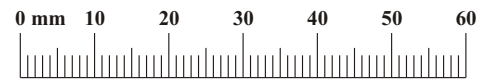


| NO | Dim. | | Col.-No | Qty |
|----|------|-----|---------|-----|
| 18 | 499 | 984 | 2 | 1 |
| 21 | 497 | 346 | 2 | 1 |
| 22 | 447 | 323 | 2 | 1 |
| 23 | 234 | 324 | 2 | 1 |
| 24 | 234 | 324 | 2 | 1 |
| 19 | 984 | 66 | 2 | 1 |
| 33 | 584 | 80 | 2 | 1 |
| 30 | 389 | 120 | 2 | 1 |
| 31 | 300 | 120 | 2 | 1 |
| 32 | 300 | 120 | 2 | 1 |
| 20 | 516 | 67 | 2 | 1 |
| 28 | 473 | 228 | 2 | 1 |
| 29 | 417 | 304 | 2 | 1 |
| 26 | 384 | 50 | 2 | 1 |
| 27 | 384 | 50 | 2 | 1 |
| 25 | 244 | 50 | 2 | 1 |
| 34 | 499 | 120 | 2 | 1 |



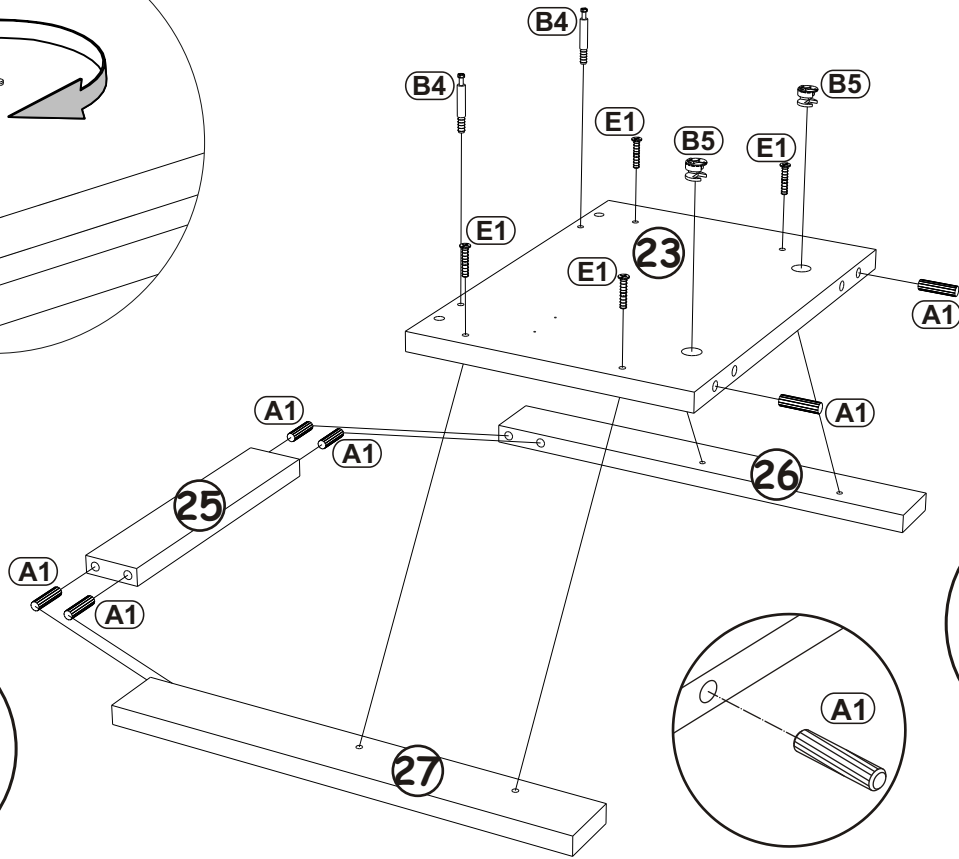
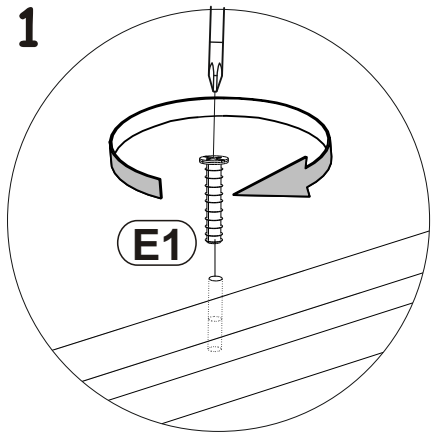
HUGO prikrovnaya tumba pravaya

| | | | | | | | | | | | |
|-----------|--|------------|--|------------|--|-----------|---|-----------|---|----------|--|
| K2 x8 |  | E1 x4 |  ø6,3x24 | D10 x20 |  USØ3,5x16 | ZX x6 |  ø7x50 | G5 x12 |  | G2 x1 |  |
| N1 x1 |  300mm | B4 x18 |  | B5 x18 |  ø15x12 | BO1 x1 |  160mm | T1 x4 |  | O1 x2 |  UsØ4x45 |
| A1 x22 |  ø8x30 | KR2 x10 |  USØ3,5x30 | | | | | | | | |



HUGO prikrovnatnaya tumba pravaya

1

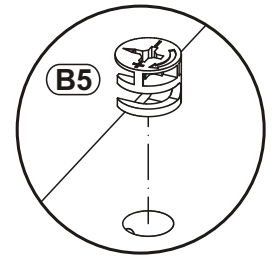
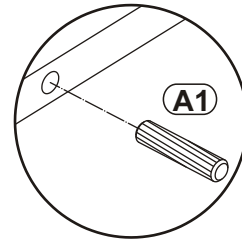
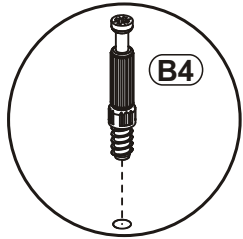


| | |
|----|---------|
| E1 | |
| x4 | ø6,3x24 |

| | |
|----|-------|
| A1 | |
| x6 | ø8x30 |

| | |
|----|--------|
| B5 | |
| x2 | ø15x12 |

| | |
|----|--|
| B4 | |
| x2 | |



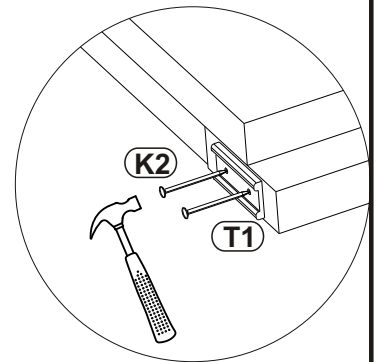
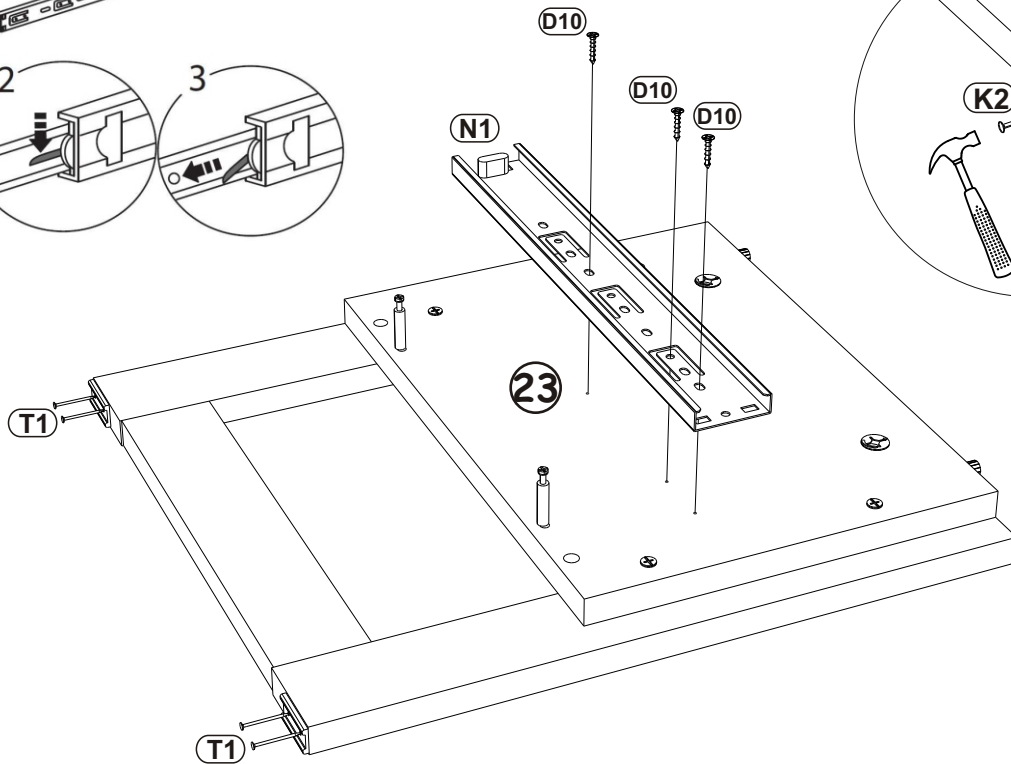
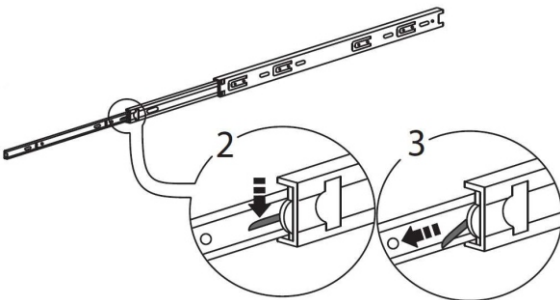
2

| | |
|----|--|
| K2 | |
| x4 | |

| | |
|----|--|
| T1 | |
| x2 | |

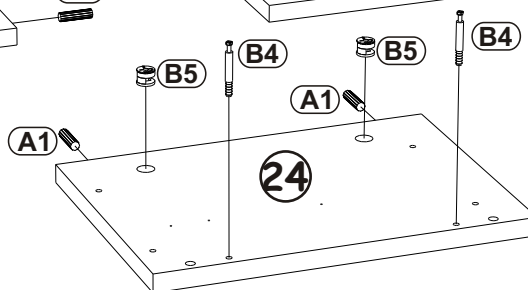
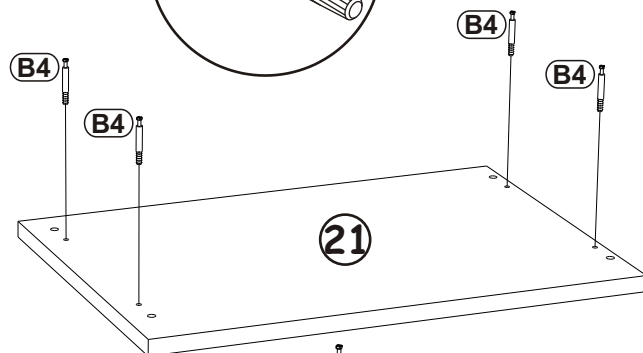
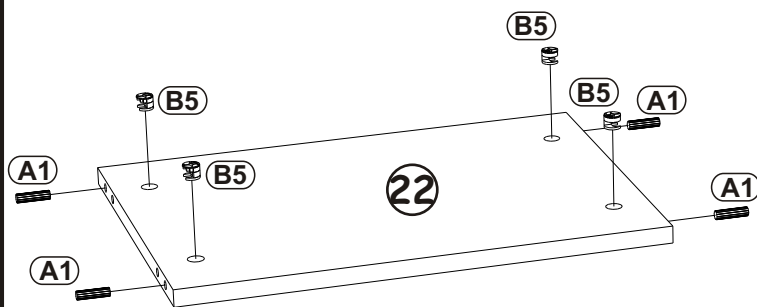
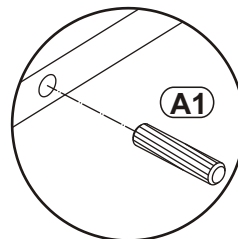
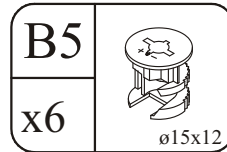
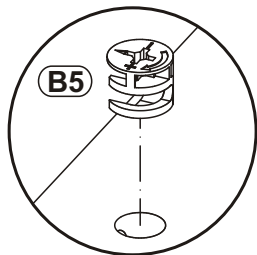
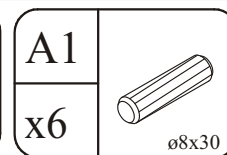
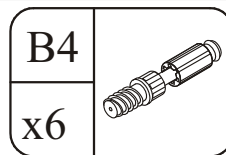
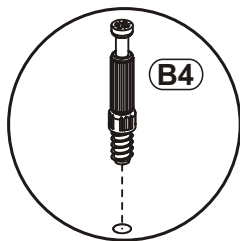
| | |
|----|-------|
| N1 | |
| x1 | 300mm |

| | |
|-----|-----------|
| D10 | |
| x3 | USØ3,5x16 |

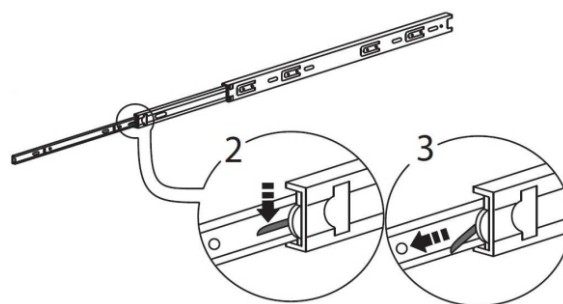
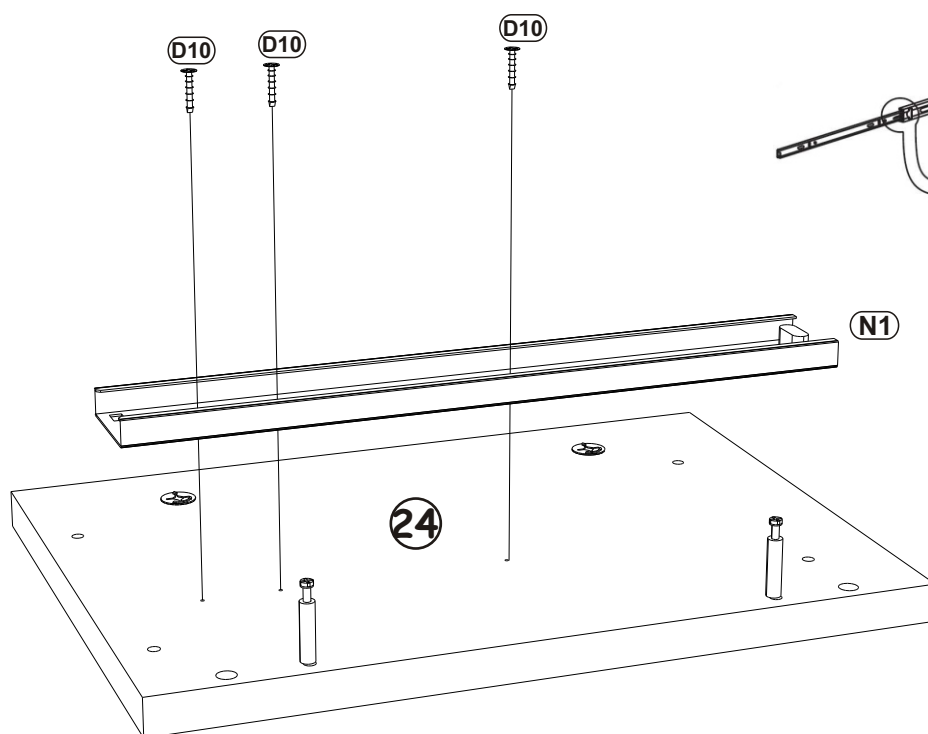
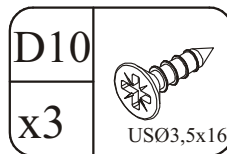
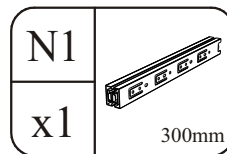


HUGO prikrovnaya tumba pravaya


3



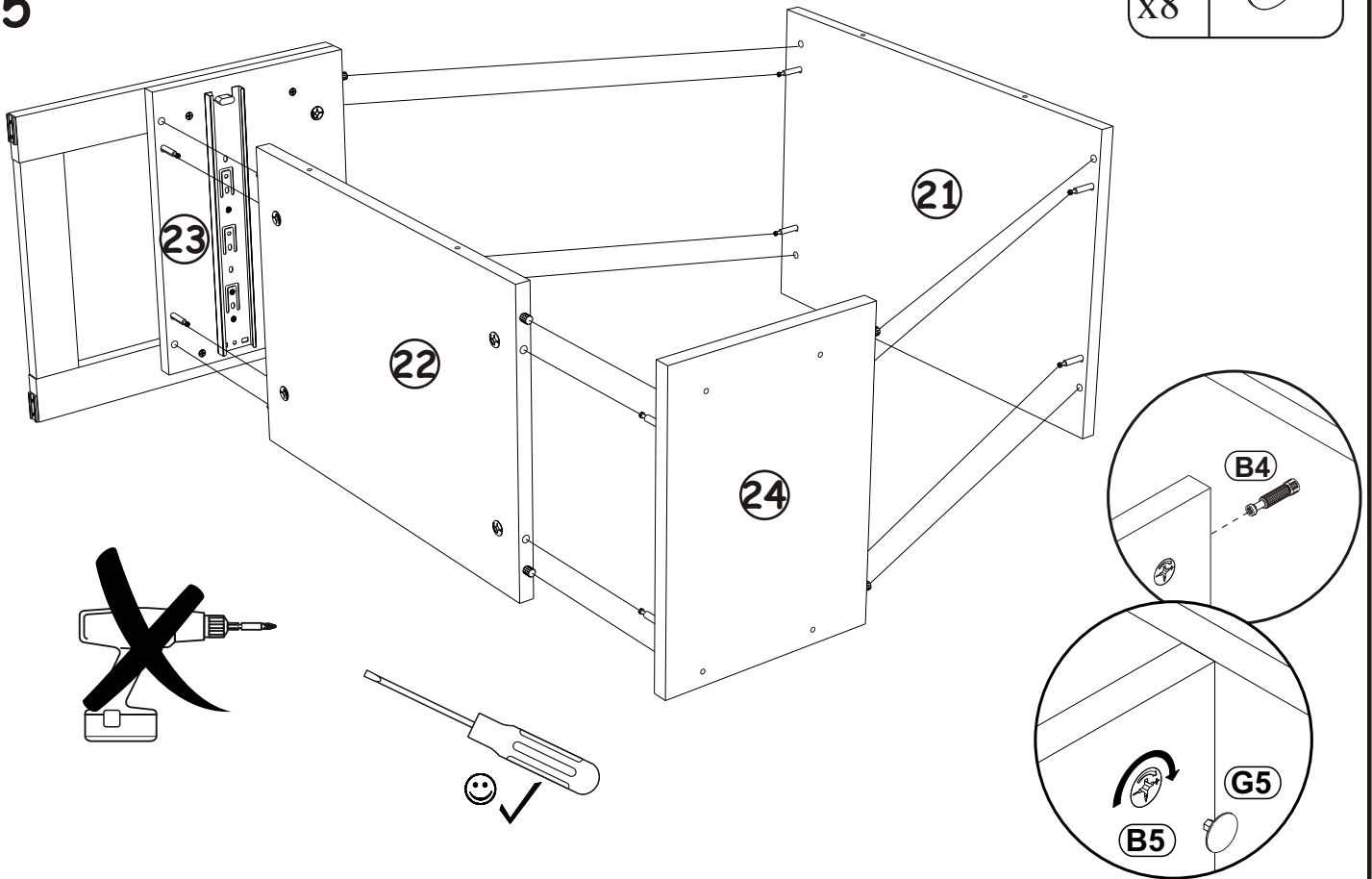
4



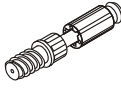

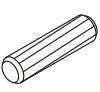
HUGO prikrovnaya tumba pravaya

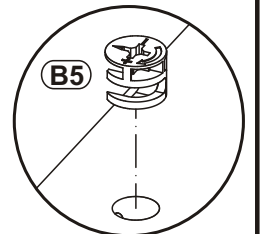
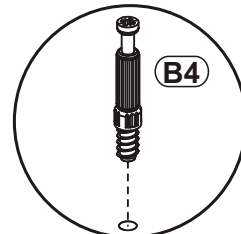
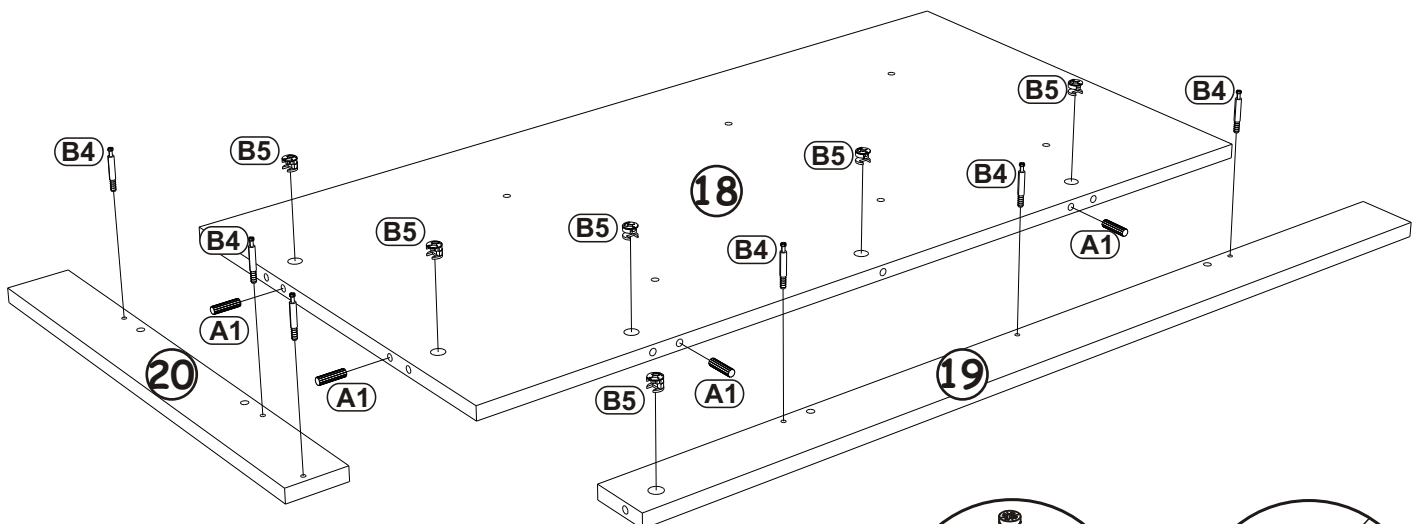
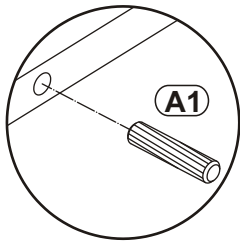
| | |
|----|---|
| G5 |  |
| x8 | |

5



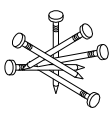
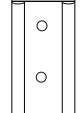
6

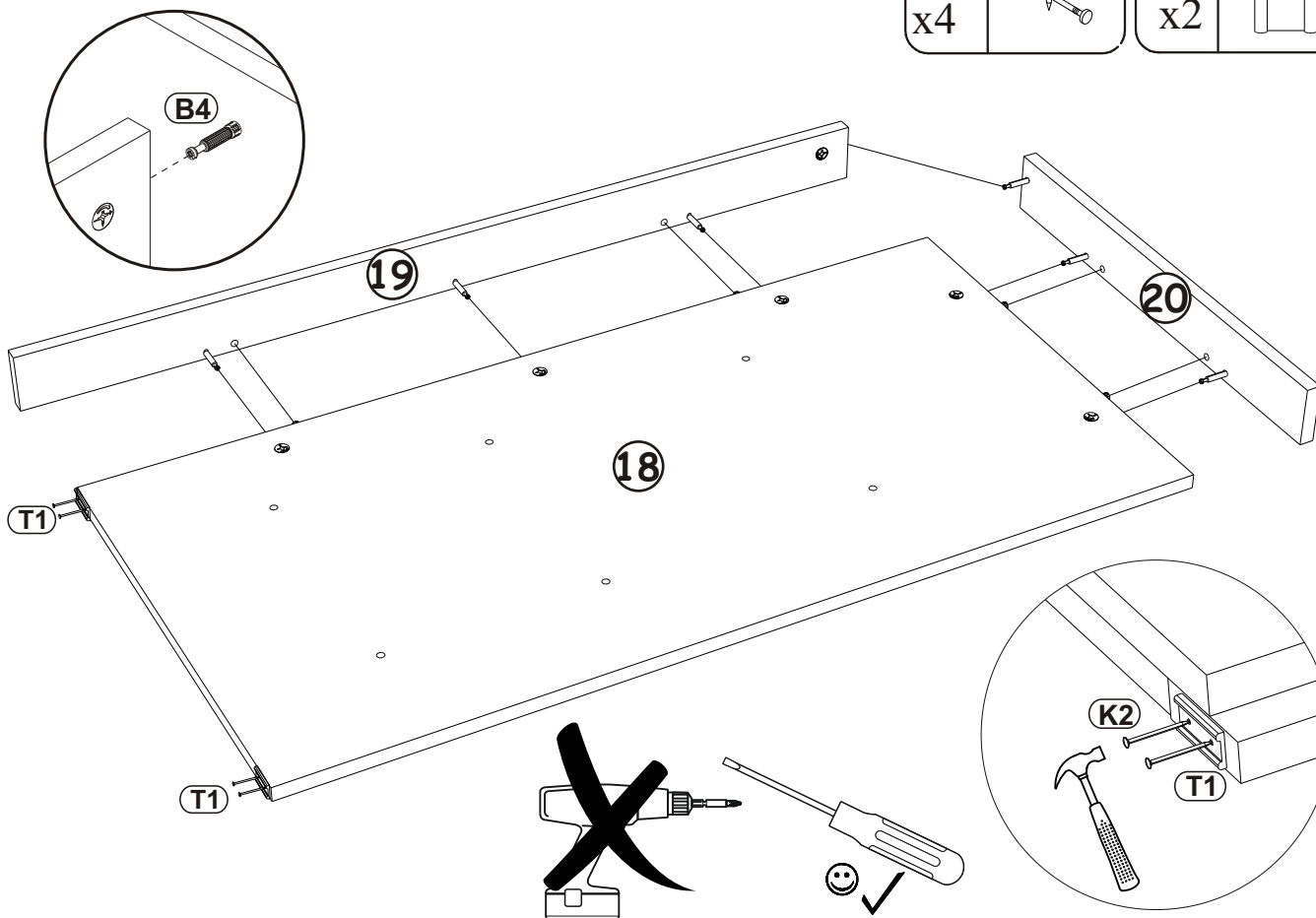
| | | | | | |
|----|--|----|---|----|---|
| B4 |  | B5 |  | A1 |  |
| x4 | | x4 | $\varnothing 15 \times 12$ | x4 | $\varnothing 8 \times 30$ |



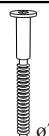
HUGO prikrovnaya tumba pravaya

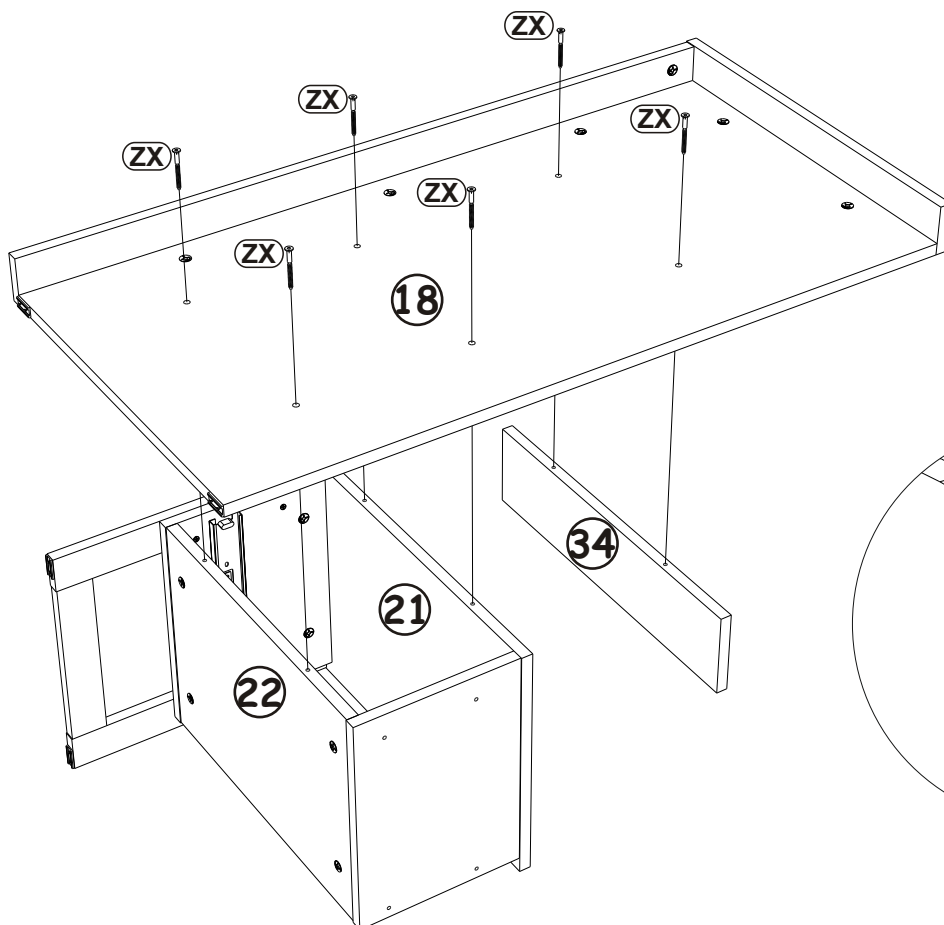
7

| | | | |
|----|--|----|--|
| K2 |  | T1 |  |
| x4 | | x2 | |



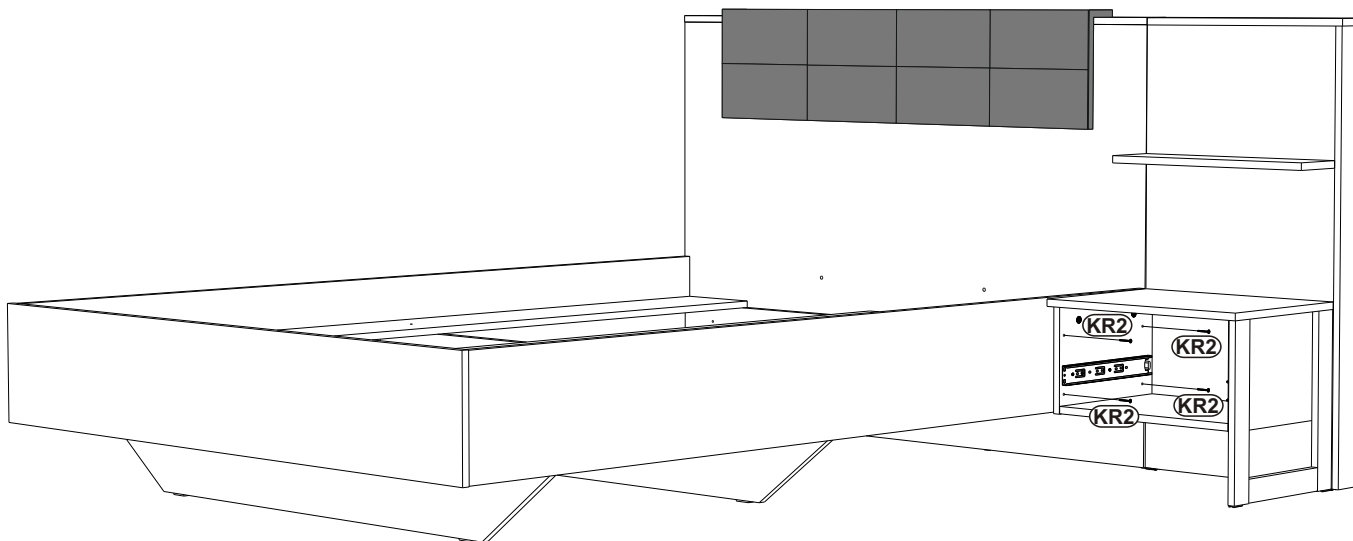
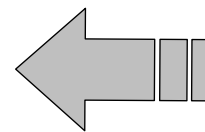
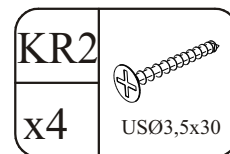
8

| | |
|----|---|
| ZX |  |
| x6 | ø7x50 |

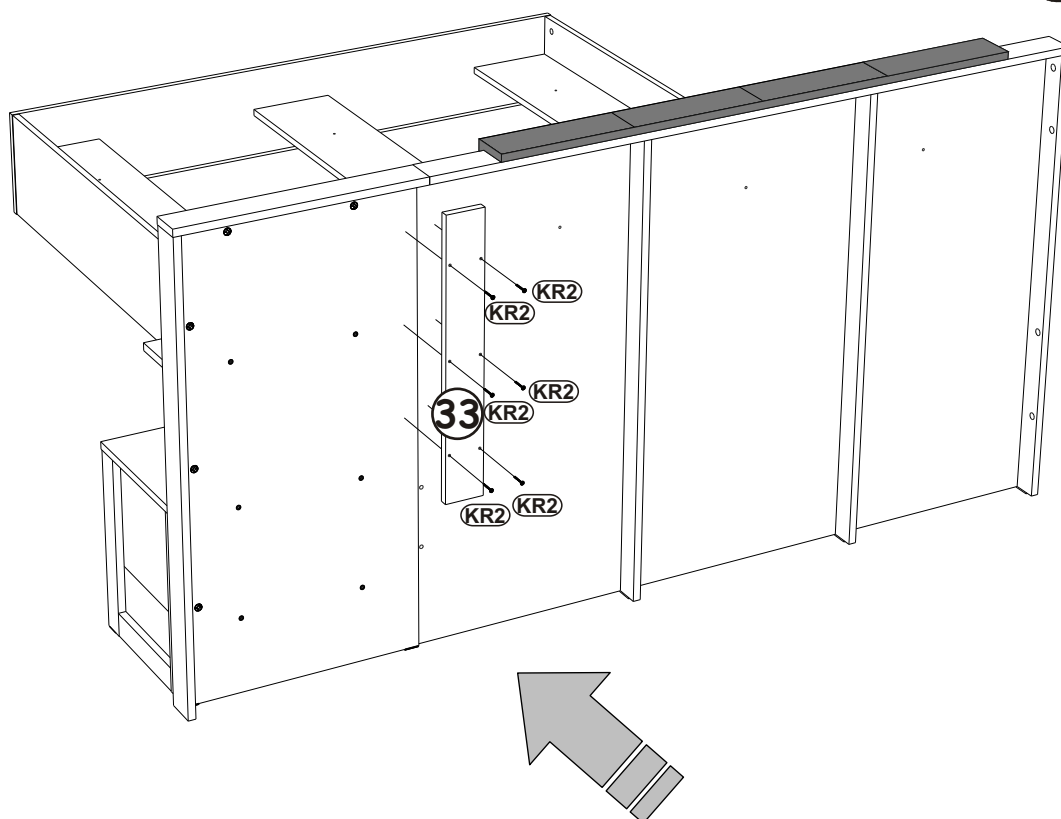
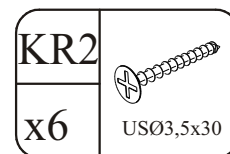


HUGO prikrovnaya tumba pravaya

9

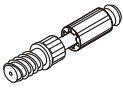

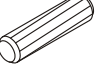


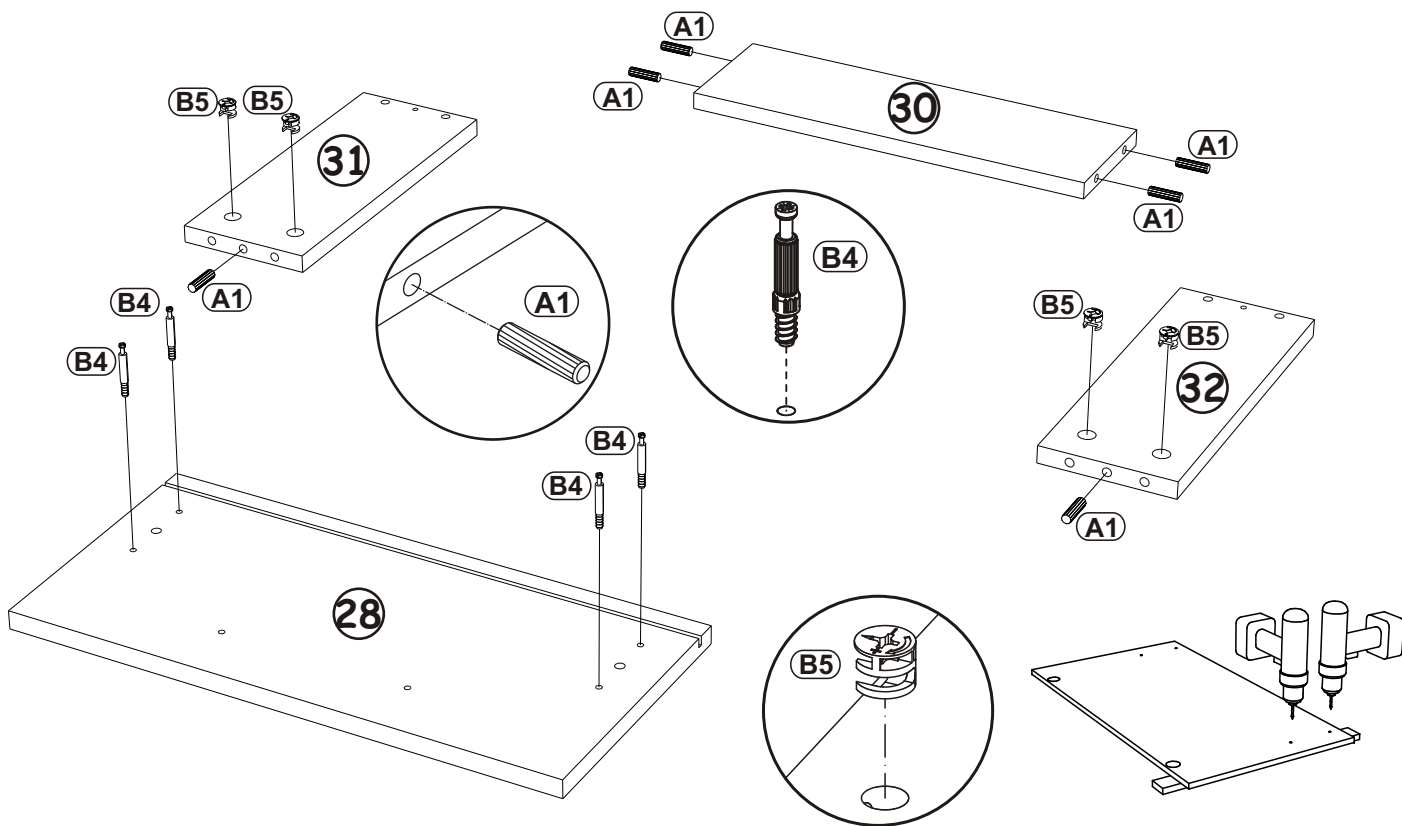
10






HUGO prikrovnaya tumba pravaya

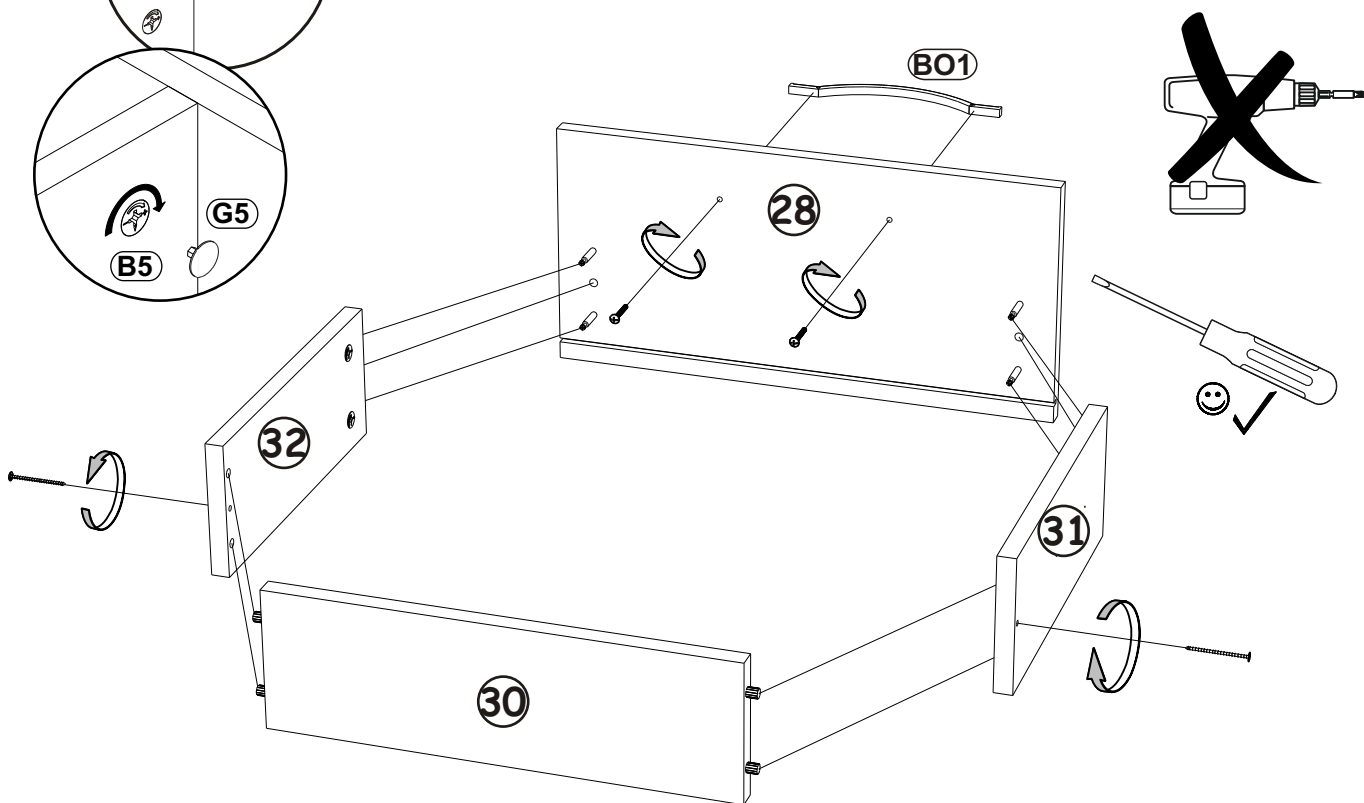
11

| | | | | | |
|----|--|----|---|----|---|
| B4 |  | B5 |  | A1 |  |
| x4 | | x4 | ø15x12 | x6 | ø8x30 |

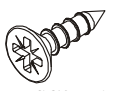


12

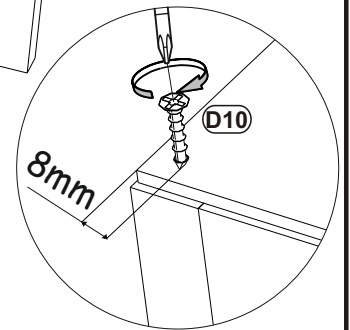
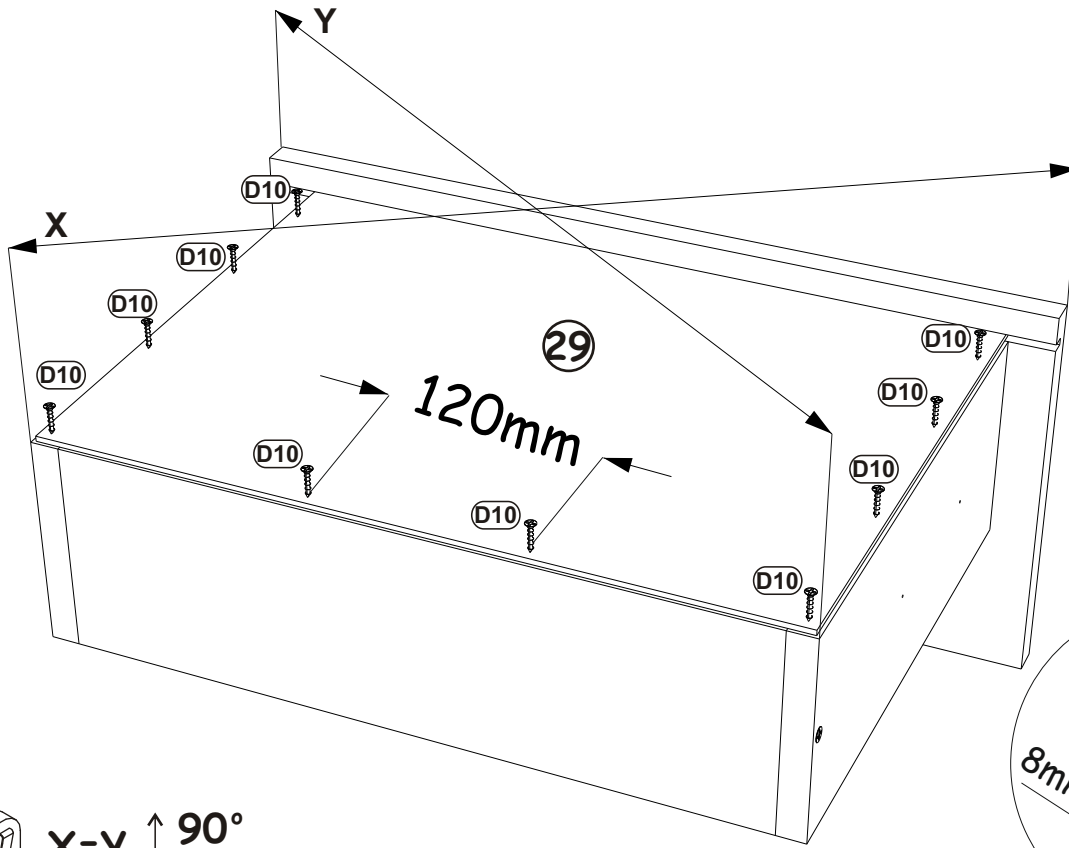
| | | | | | |
|----|---|----|---|-----|---|
| G5 |  | O1 |  | BO1 |  |
| x4 | | x2 | UsØ4x45 | x1 | 160mm |



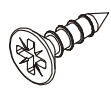
HUGO prikrovnaya tumba pravaya

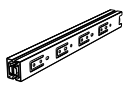
| | |
|-----|--|
| D10 |  USØ3,5x16 |
| x10 | |

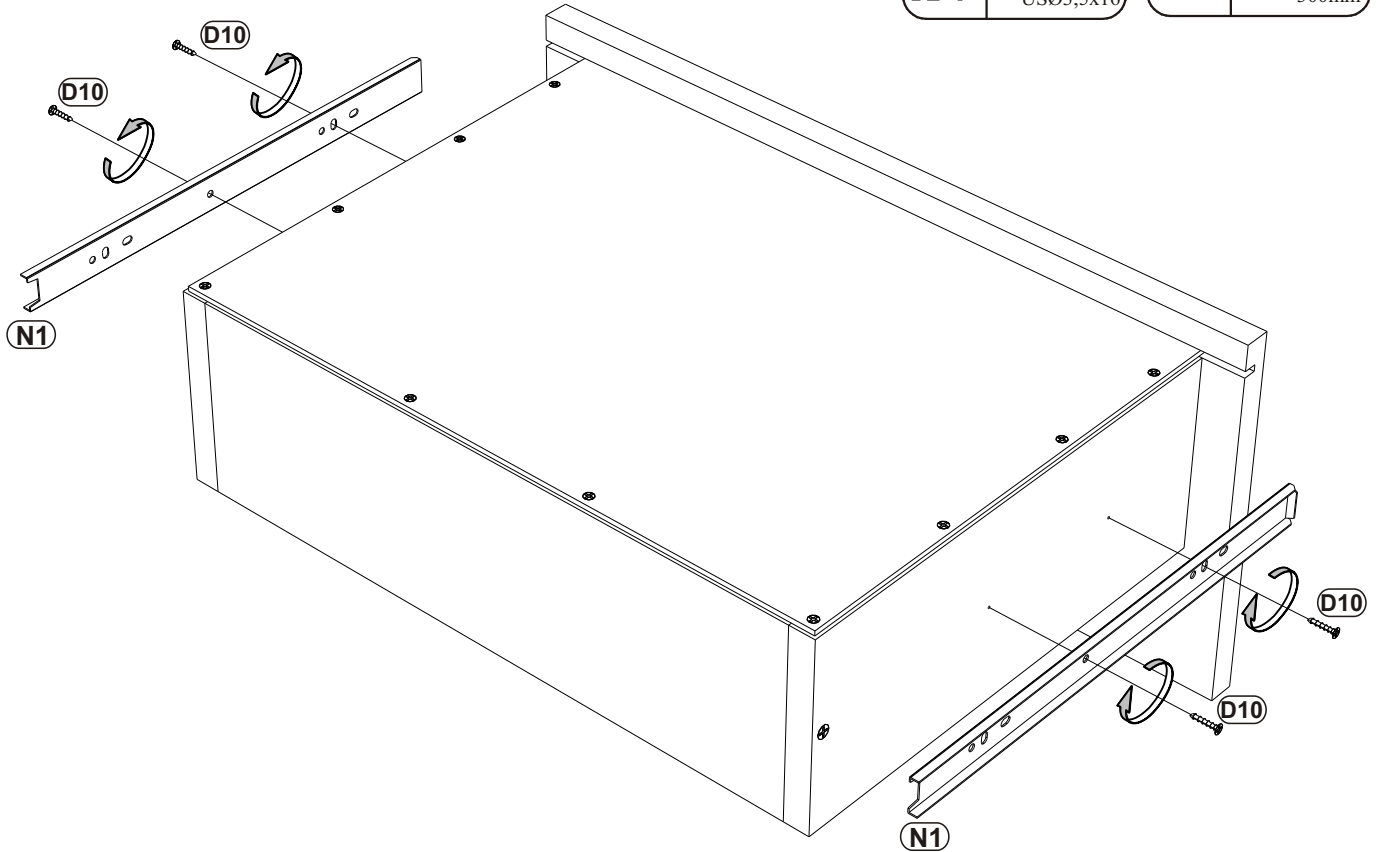
13



14

| | |
|-----|--|
| D10 |  USØ3,5x16 |
| x4 | |

| | |
|----|--|
| N1 |  300mm |
| x2 | |



15

