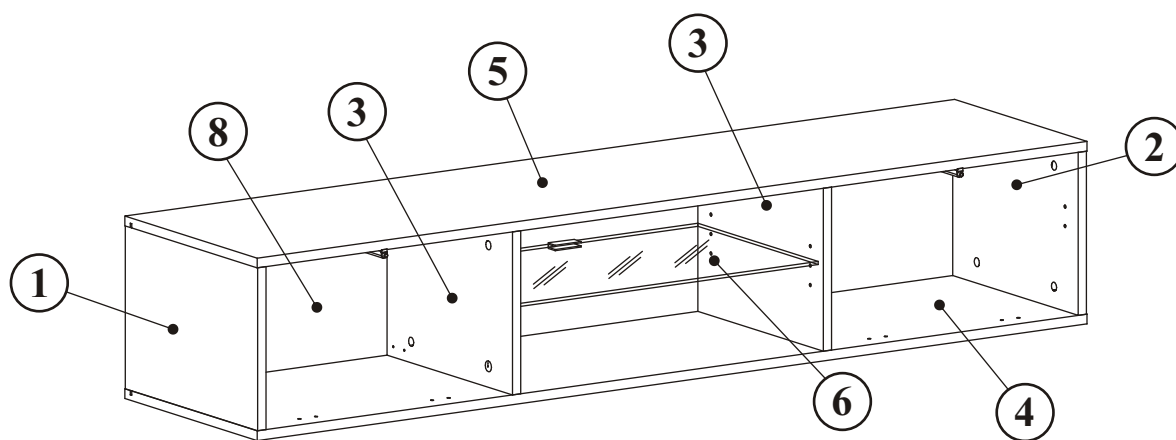
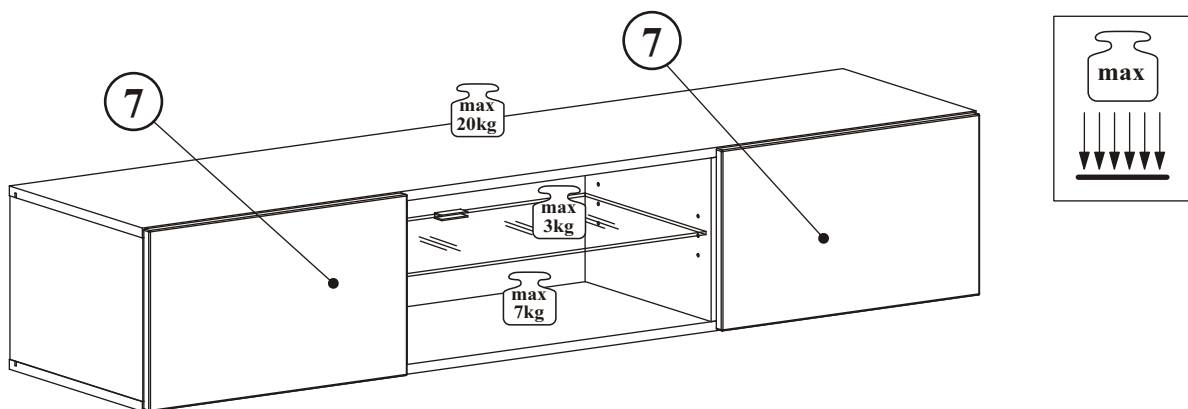
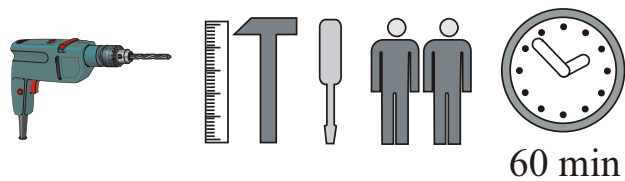


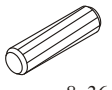
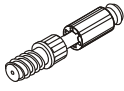
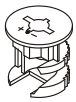

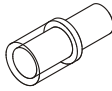

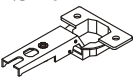
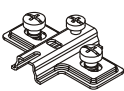
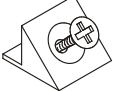



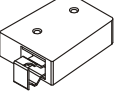
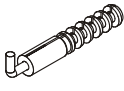


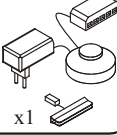
# POINT TYP-33

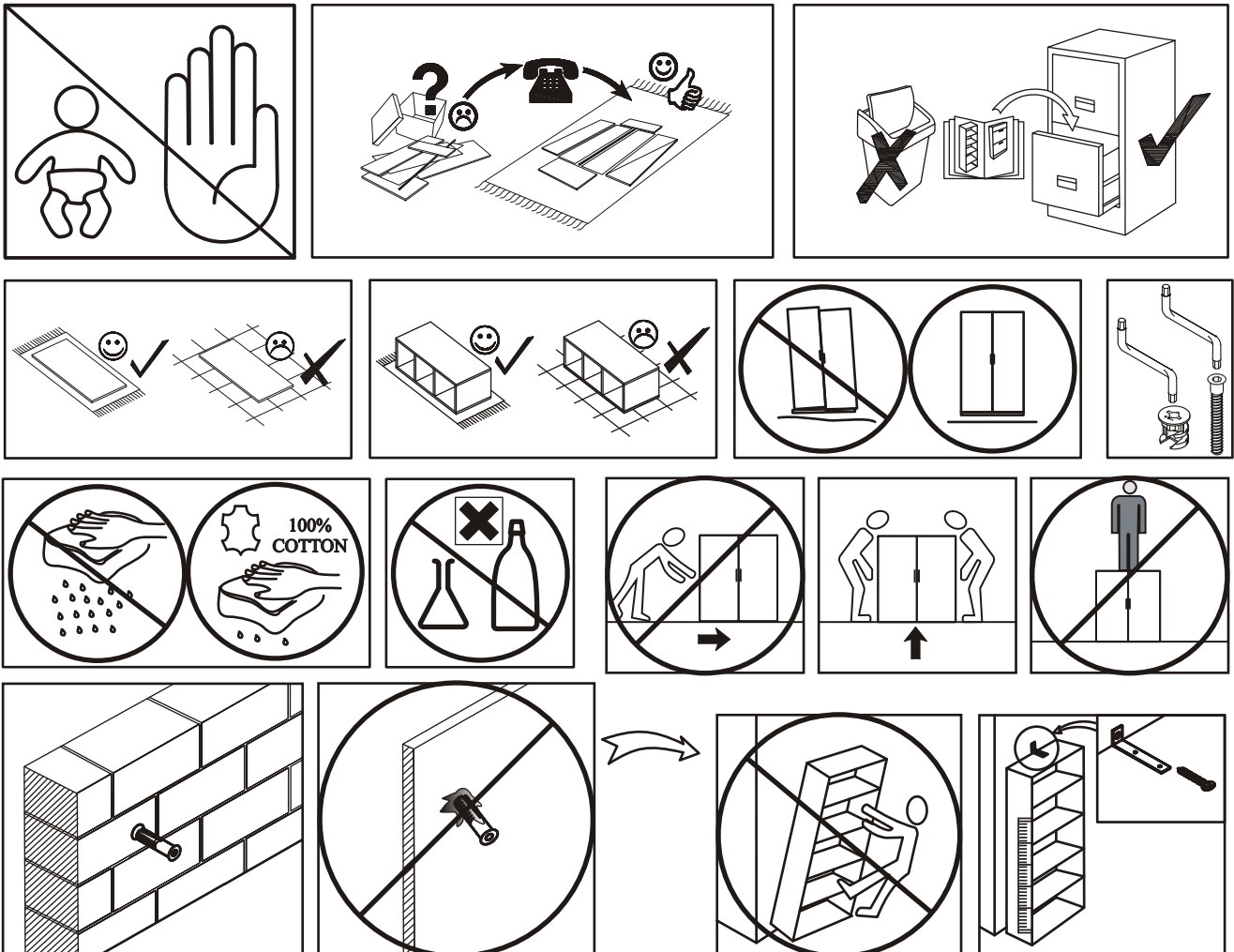
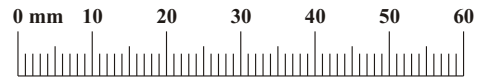


NO	Dim.		Col.-No	Qty
1	268	384	1	1
2	268	384	1	1
3	268	364	1	2
4	1602	384	1	1
5	1602	384	1	1
6	582	349	1	1
7	496	296	1	2
8	1580	280	1	1

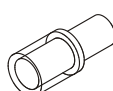


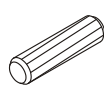
# POINT TYP-33


A1 x16  ø8x36	B4 x16 	B5 x16  ø15x12	G5 x16 	G20 x4 	G2 x1 
E1 x4  Ø26 H=0	E2 x4  H=0	S1 x12 	D6 x8  USØ3,5x30	D10 x16  USØ3,5x13	G21 x2 
ZR1 x4 	KR2 x4 	D7 x6  USØ3x16	T1 x2 	LED x1  x1	



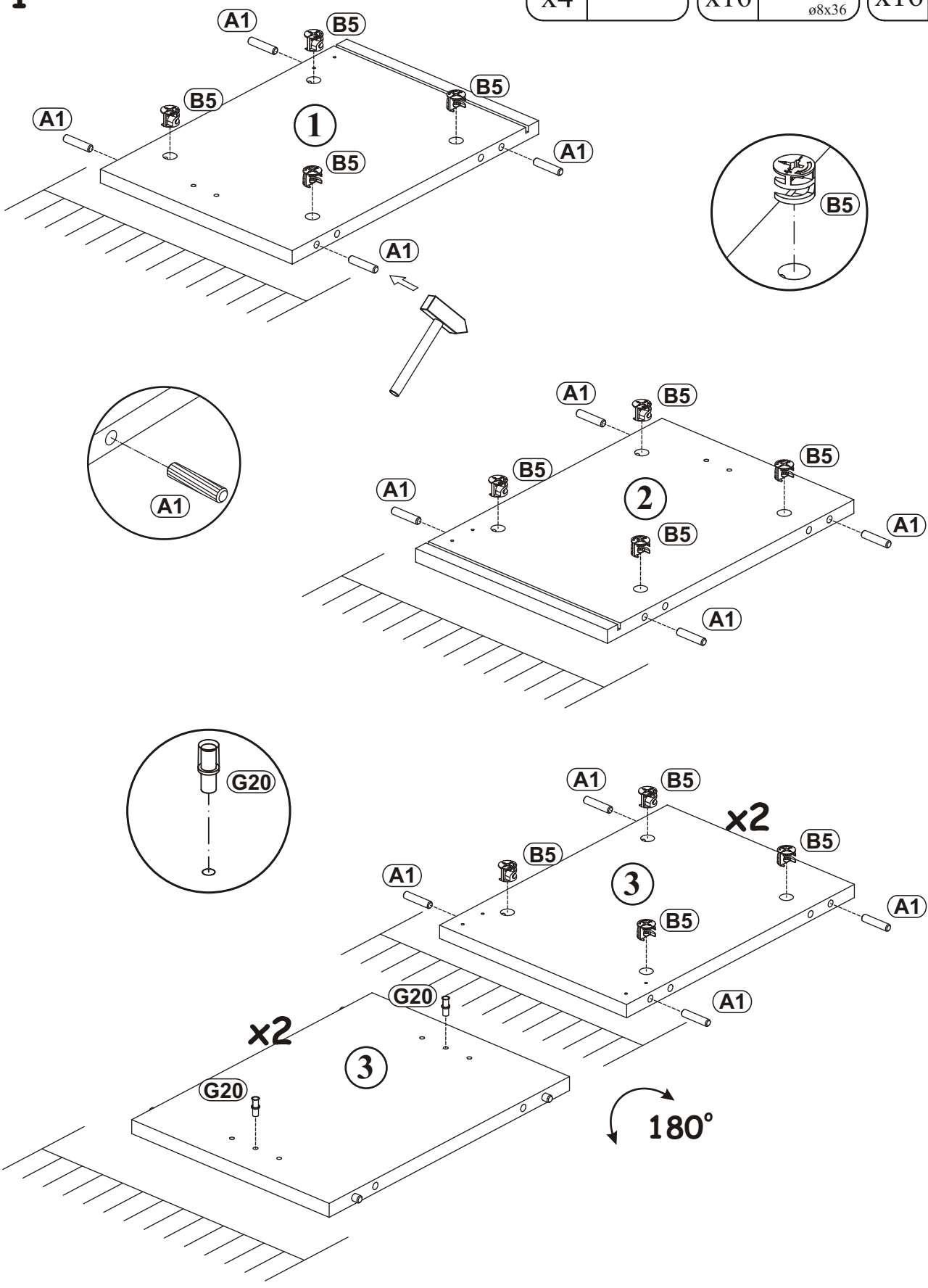
# POINT TYP-33

G20	
x4	

A1	
x16	ø8x36

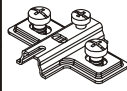
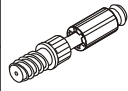
B5	
x16	ø15x12

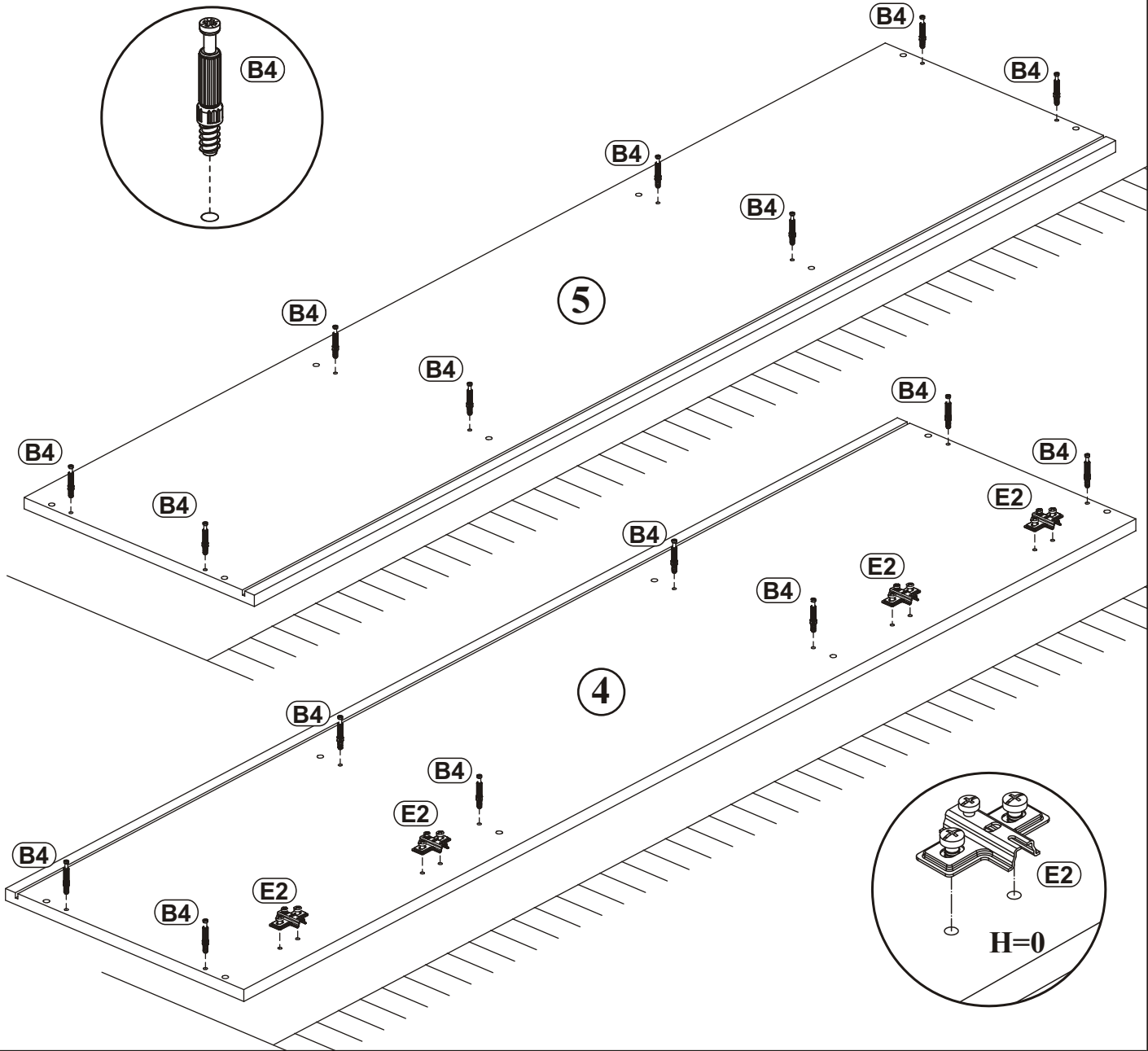
1




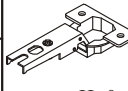
POINT TYP-33

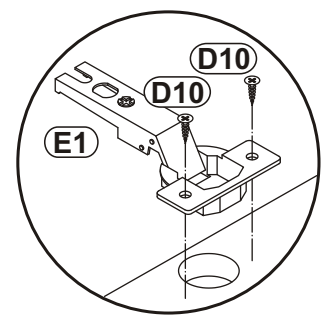
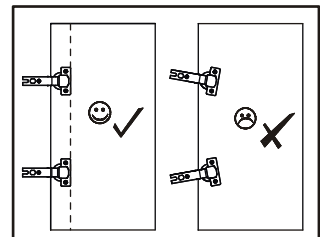
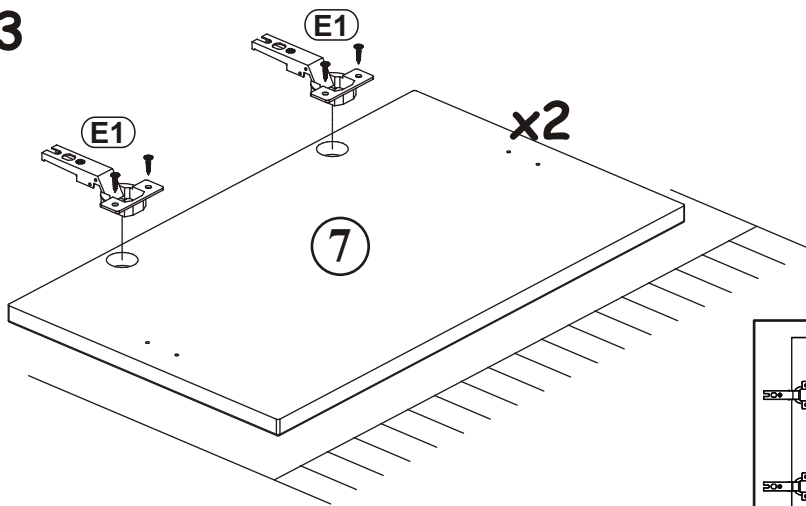
2

E2		B4	
x4	H=0	x16	



3

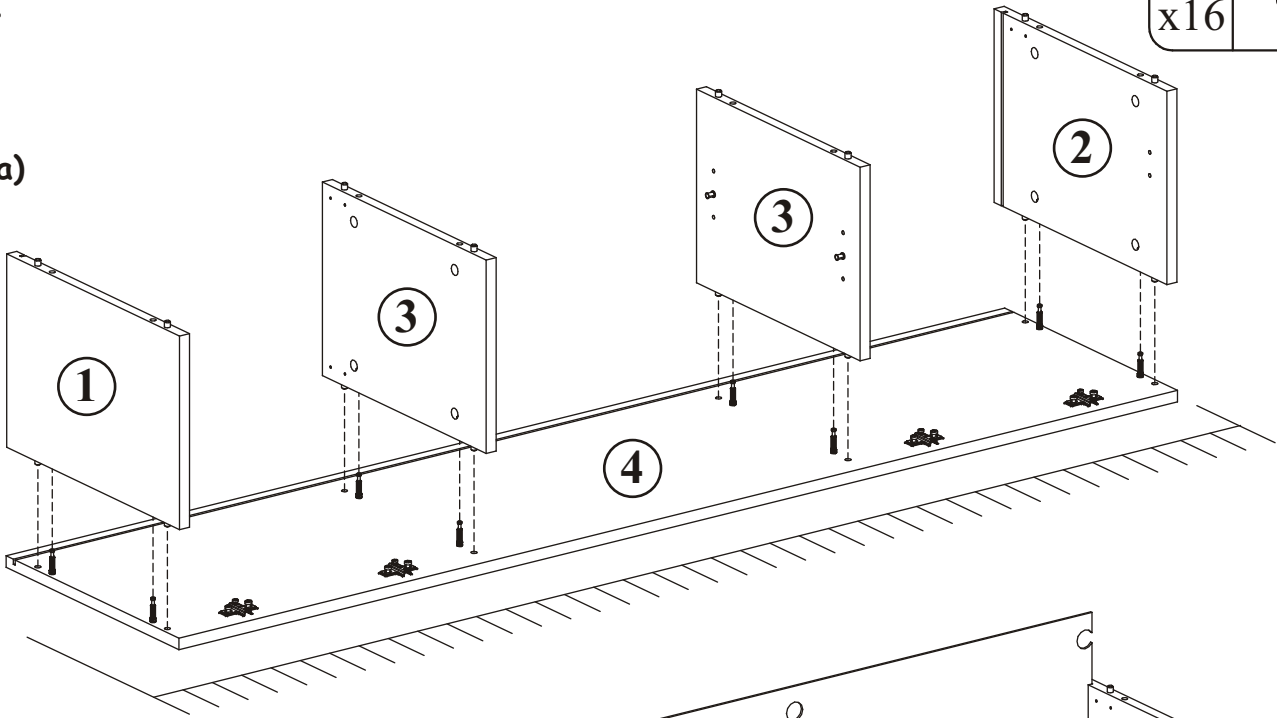
D10		E1	
x8	USØ3,5x13	x4	Ø26 H=0



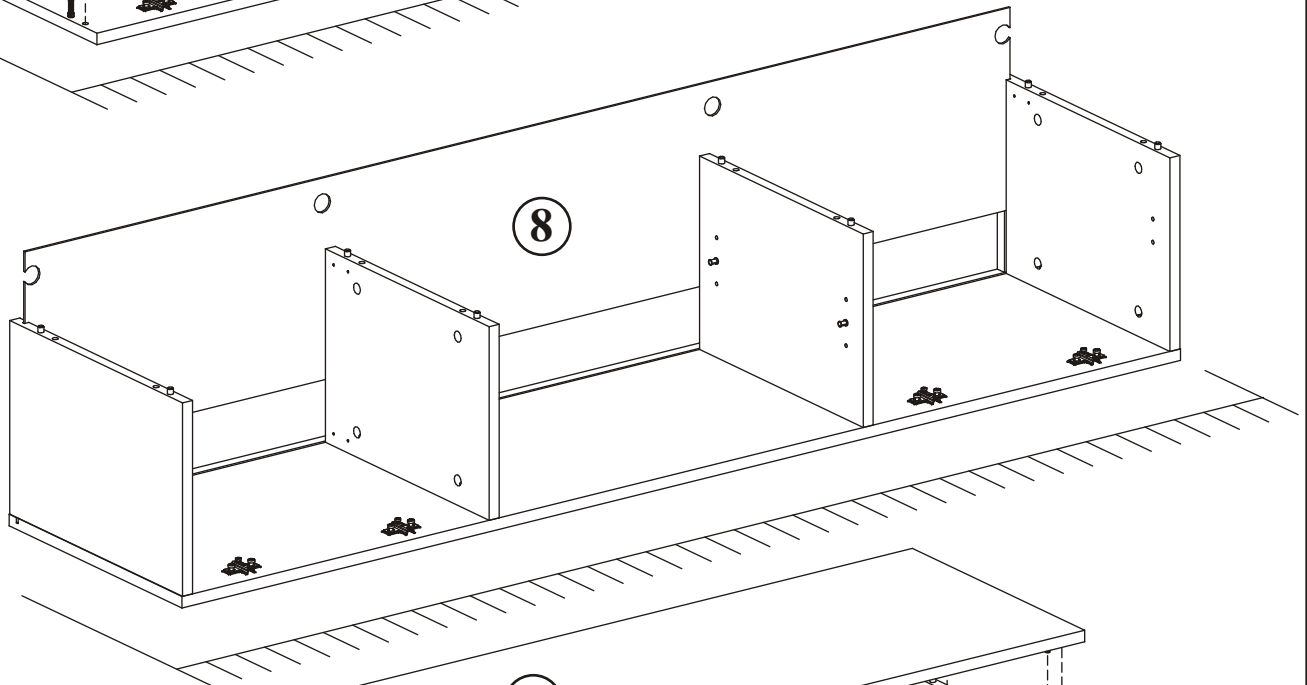


4

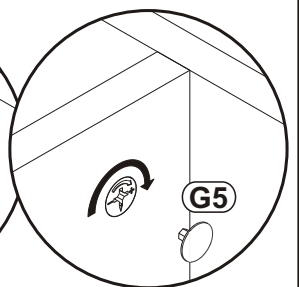
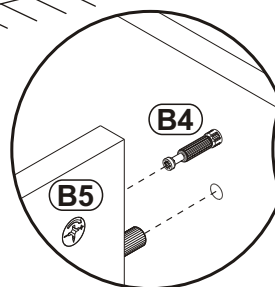
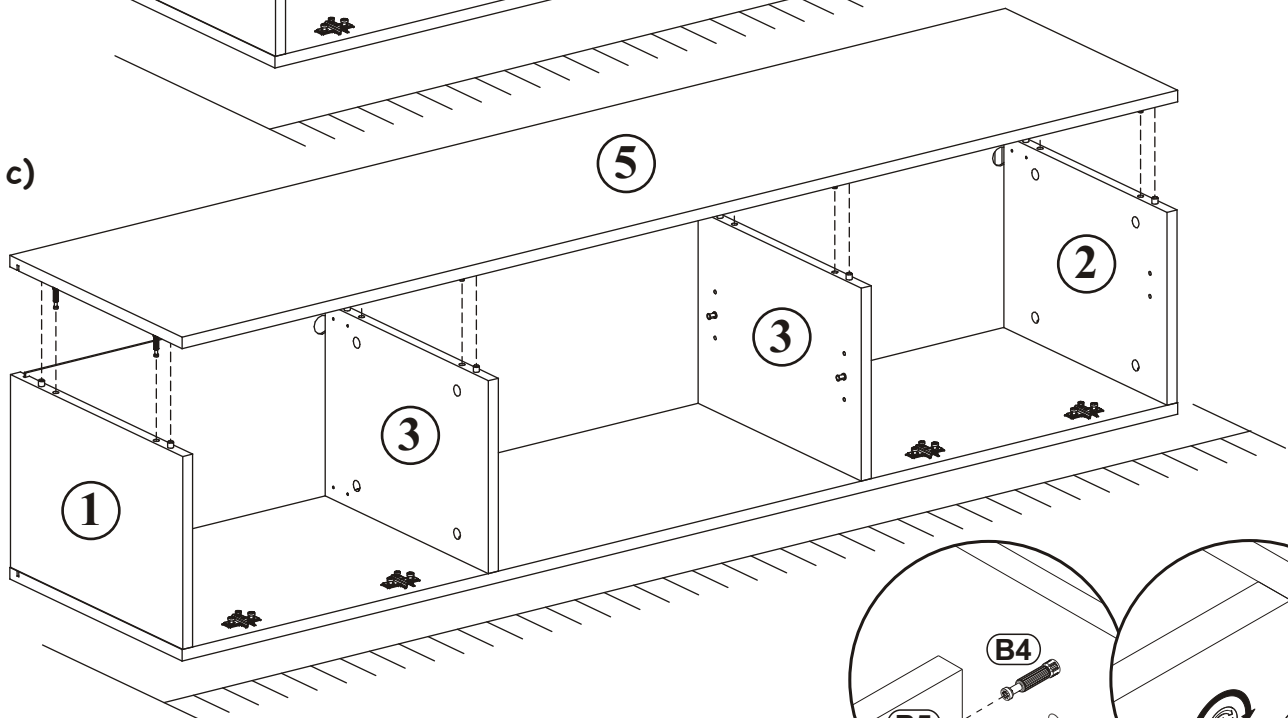
a)



b)

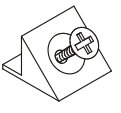


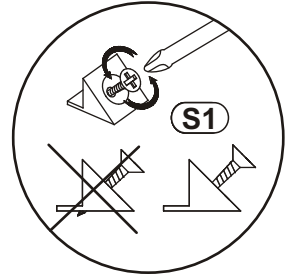
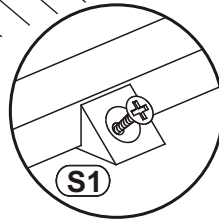
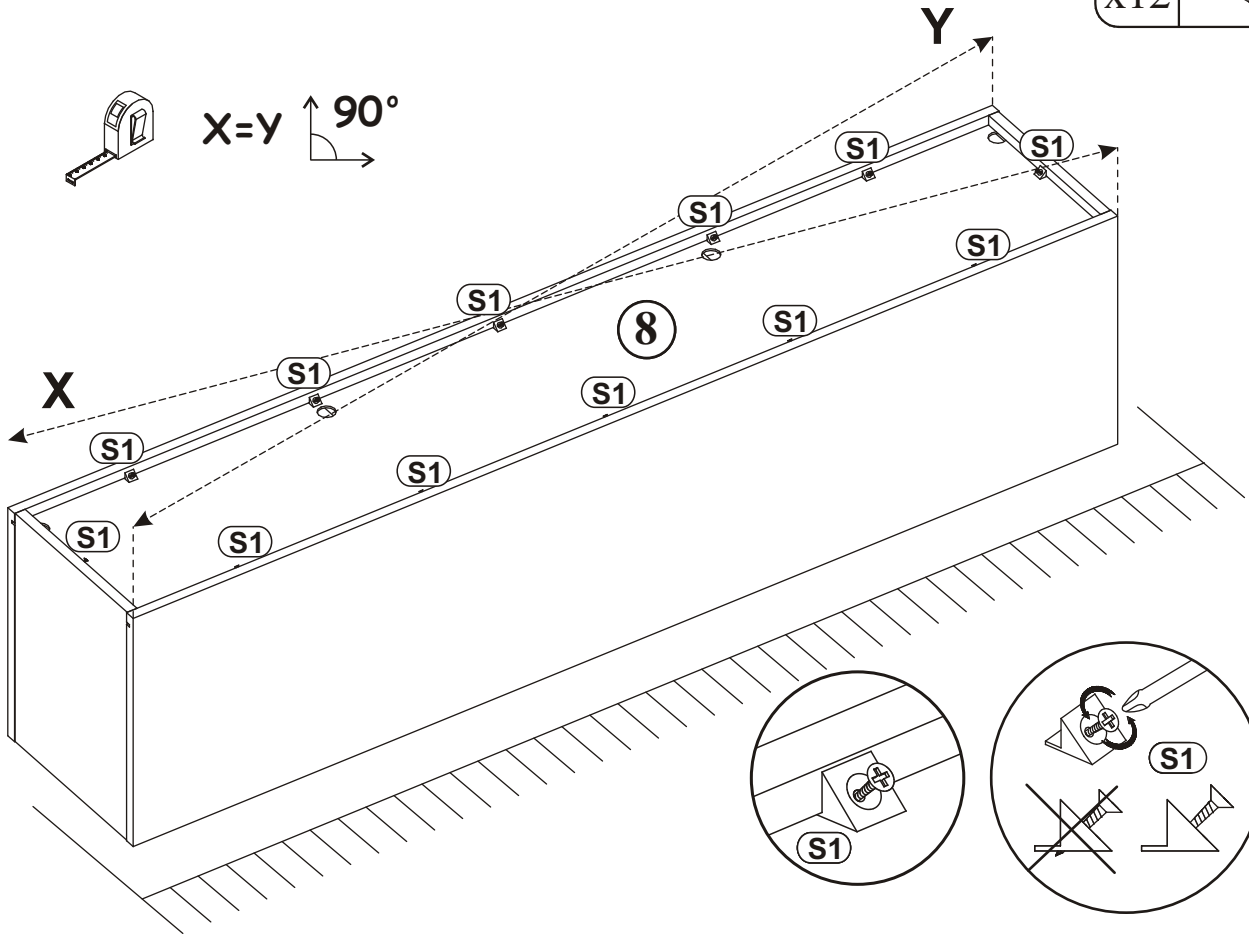
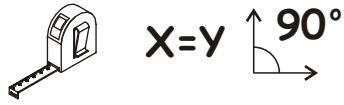
c)



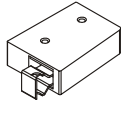
POINT TYP-33


5

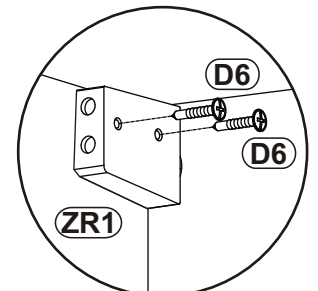
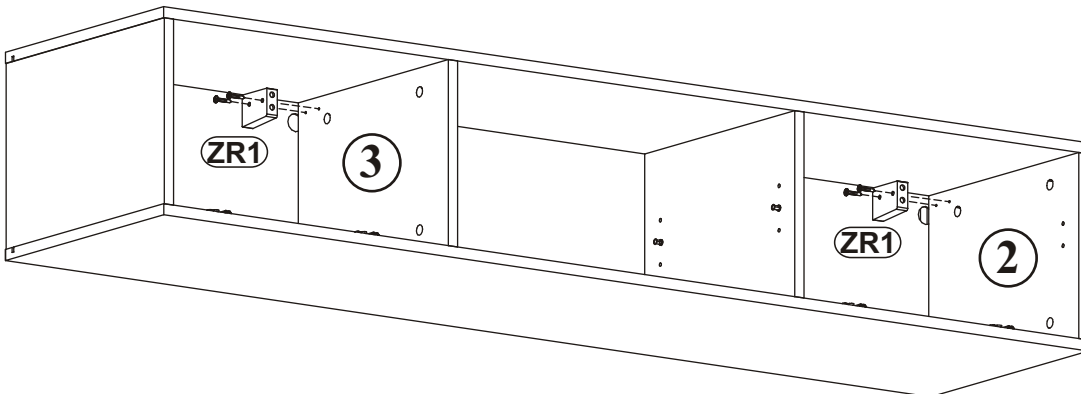
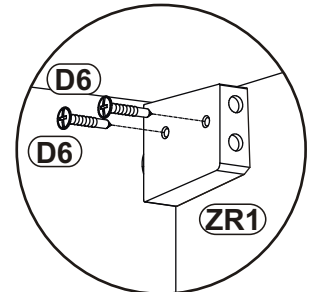
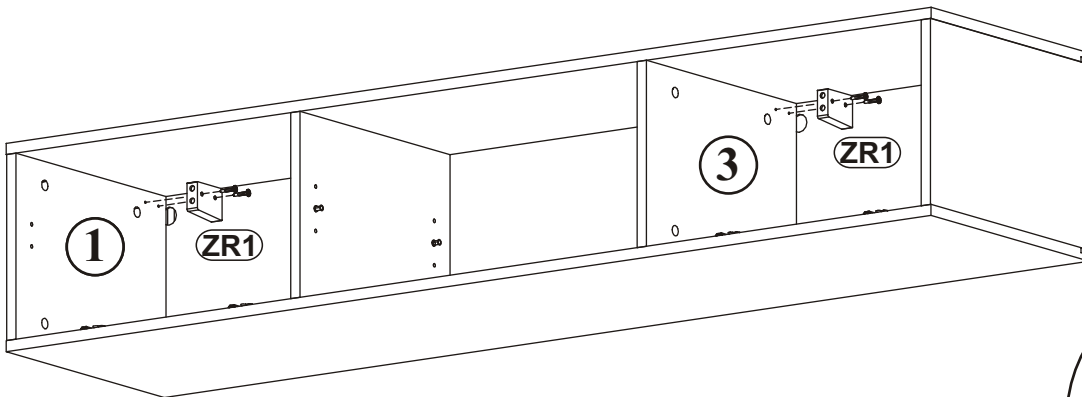
S1	
x12	



6

ZR1	
x4	

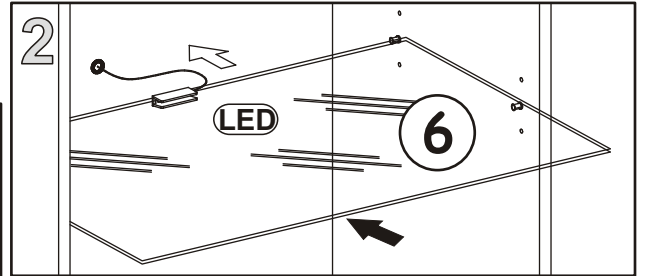
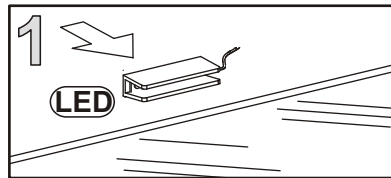
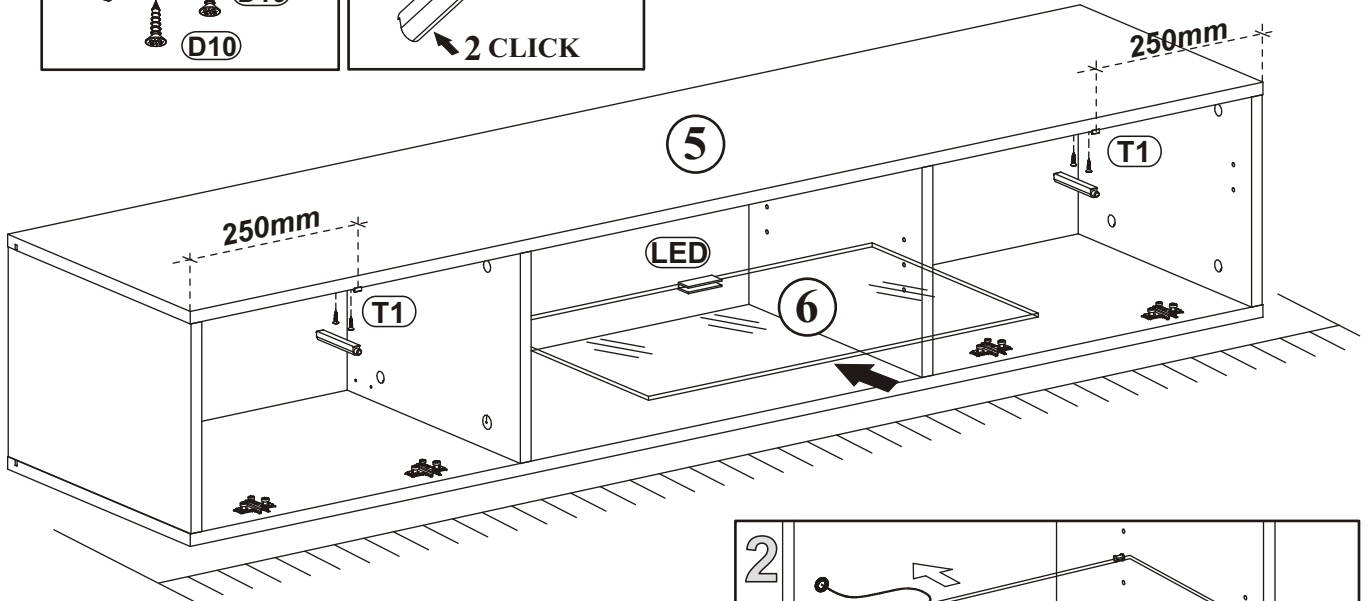
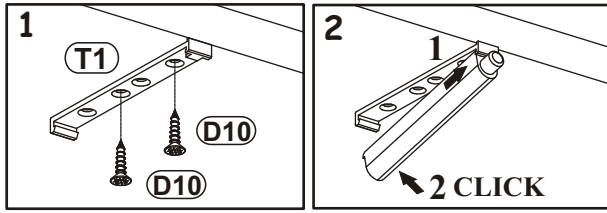
D6	
x8	USØ3,5x30



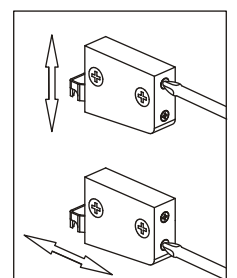
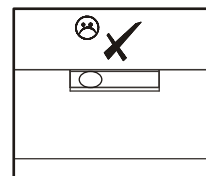
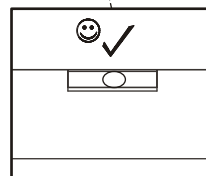
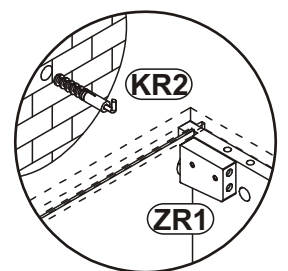
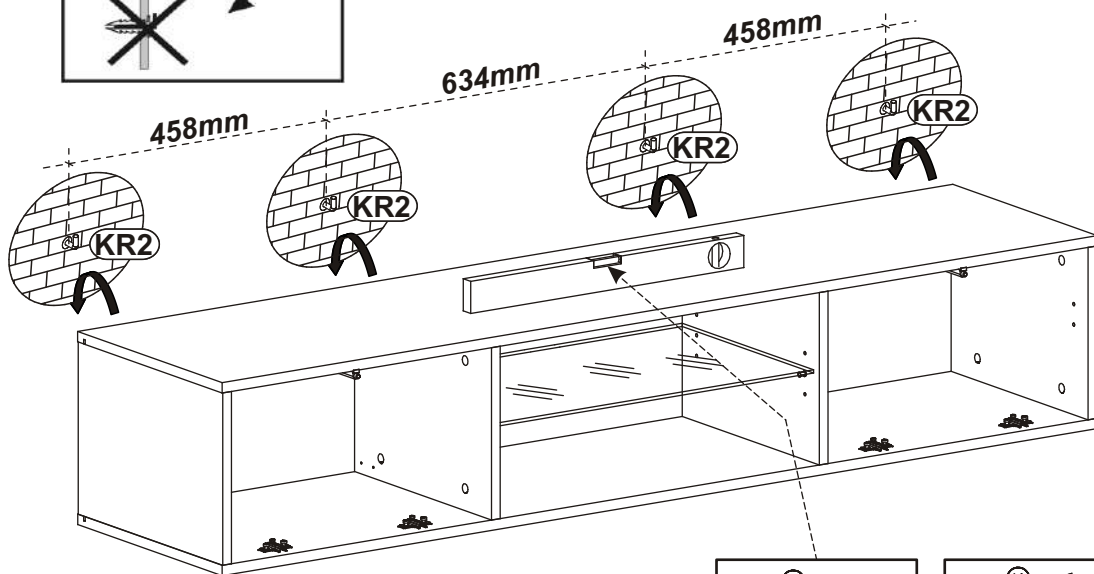
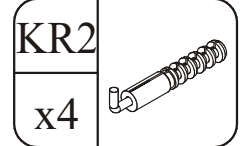
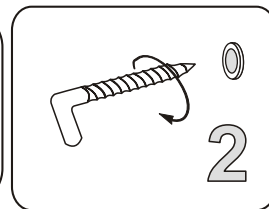
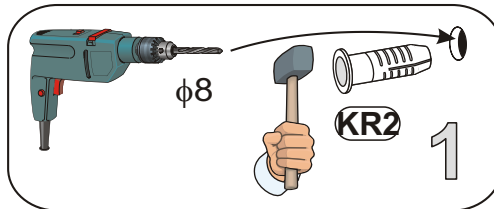
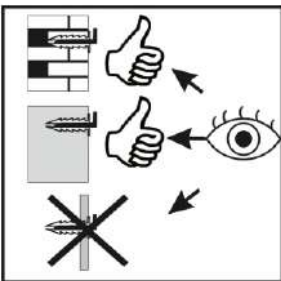
# POINT TYP-33

T1		LED		D10	
x2		x1	x1	x4	USØ3,5x13

7

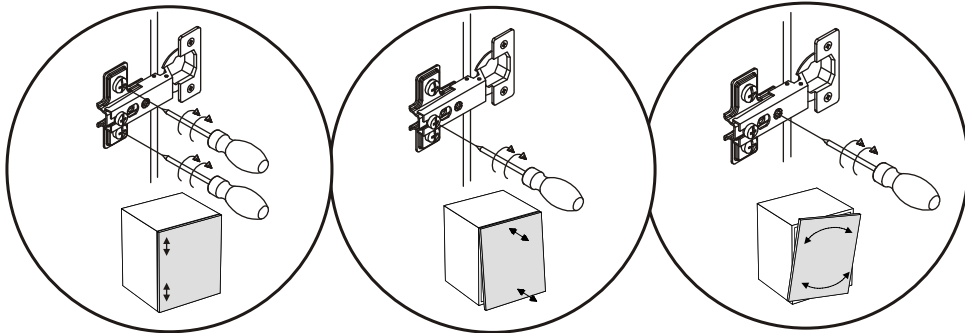
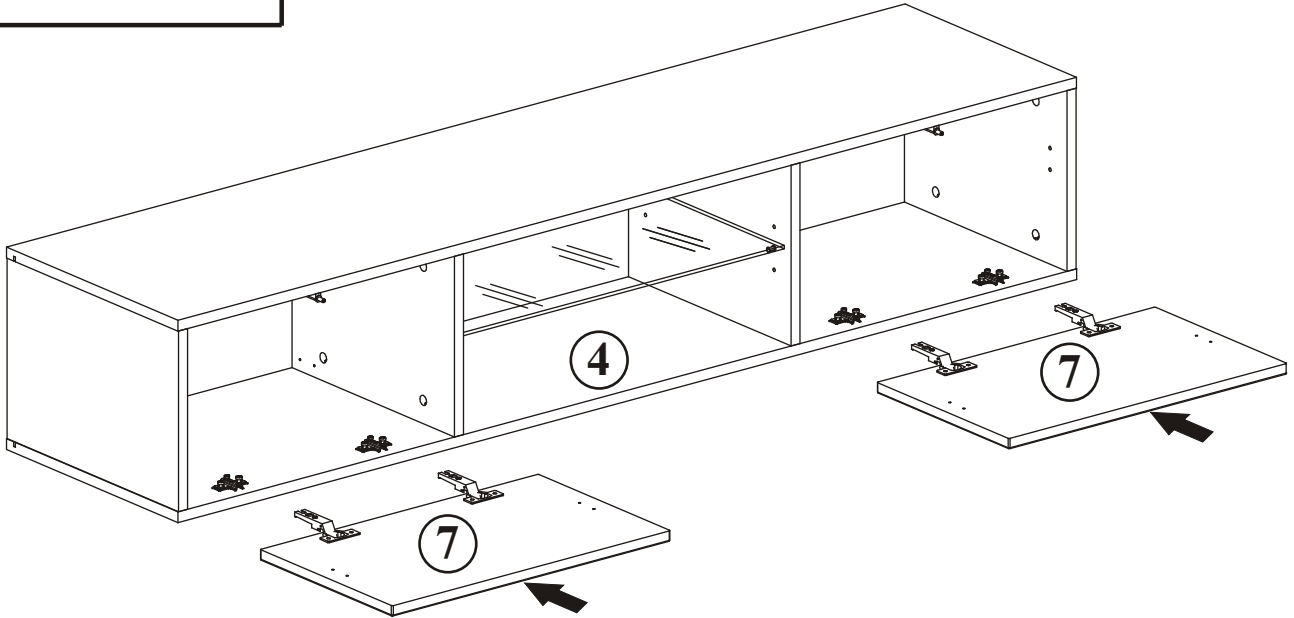


8

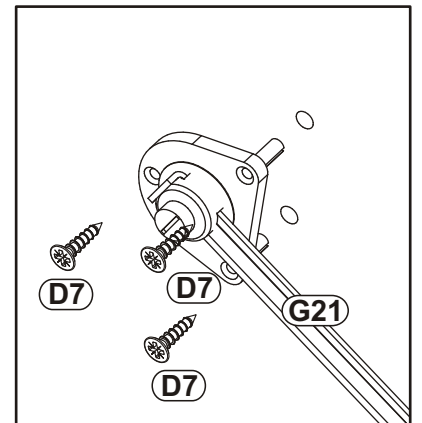
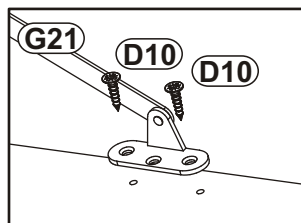
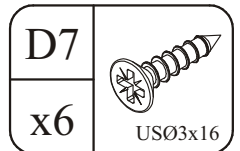
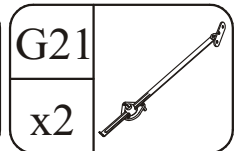
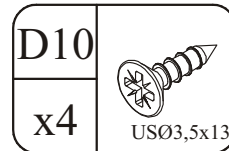
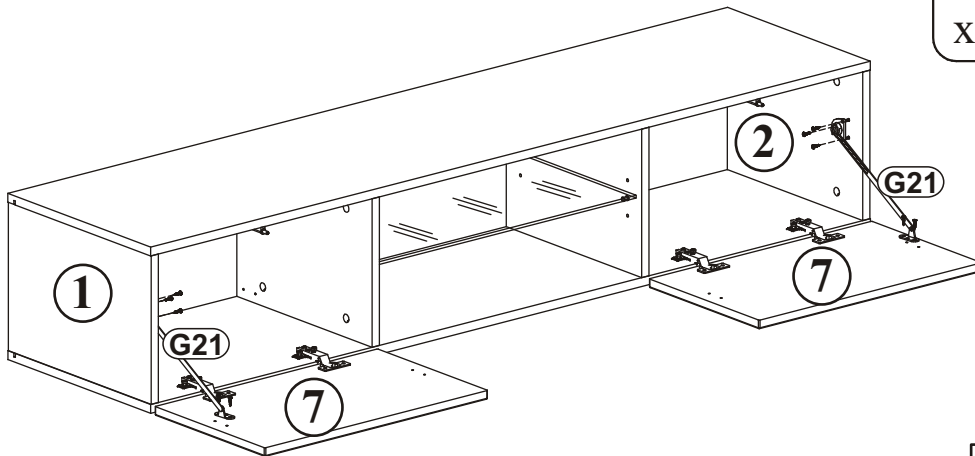


POINT TYP-33

9

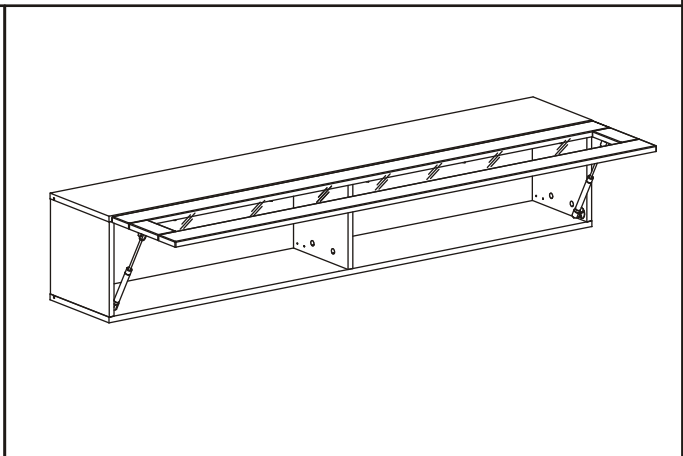
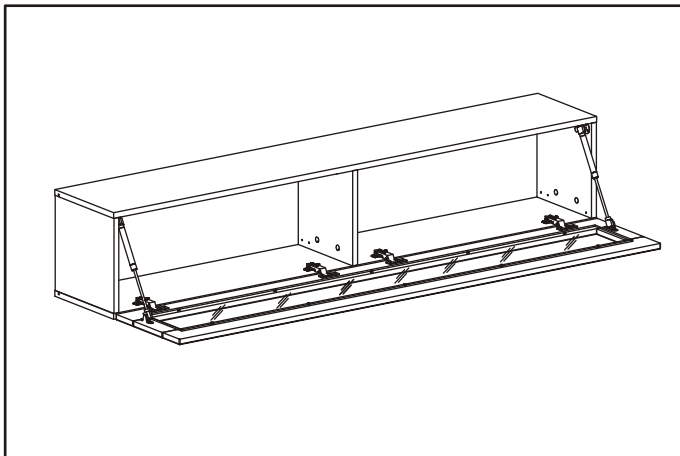
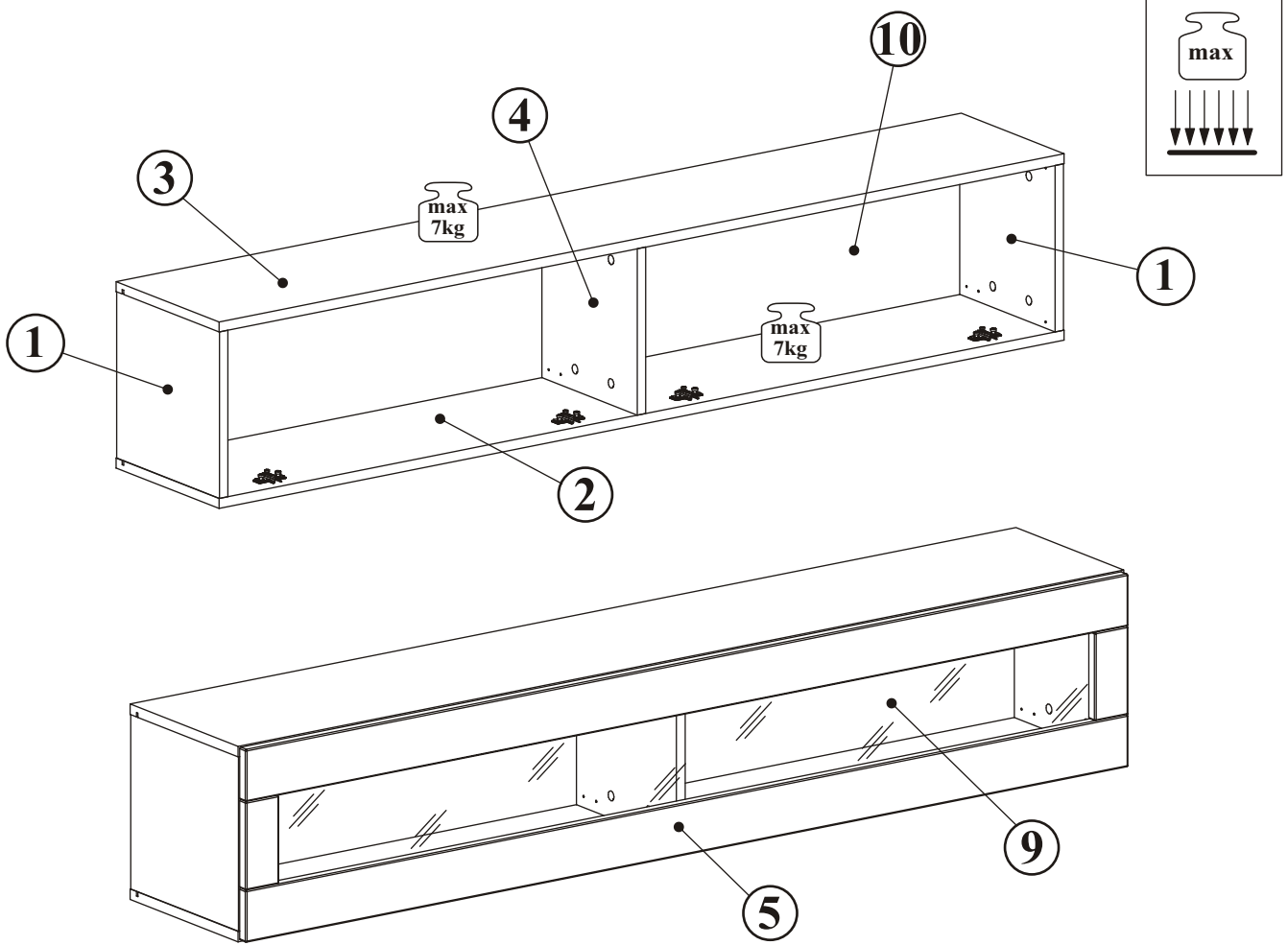


10

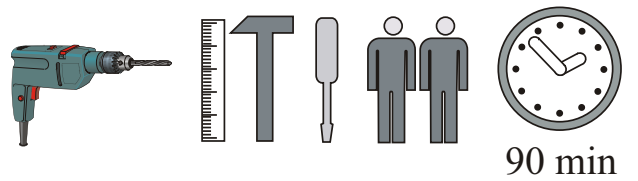




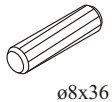
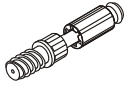


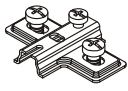
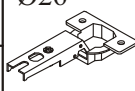

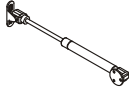
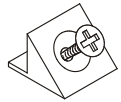
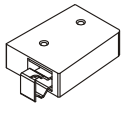
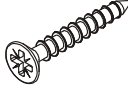




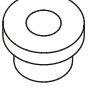
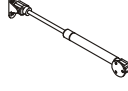
# POINT TYP-51

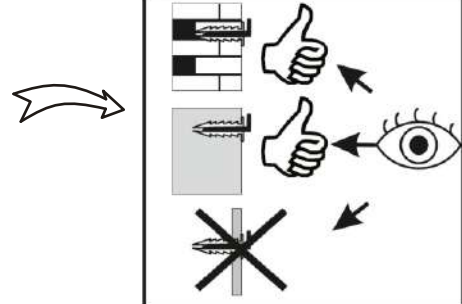
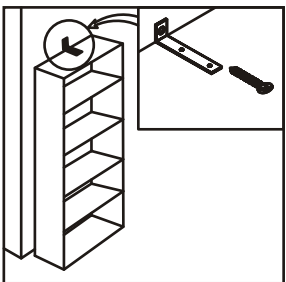
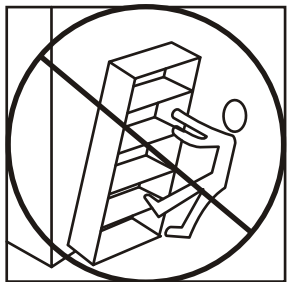
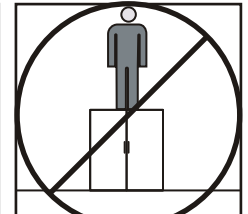
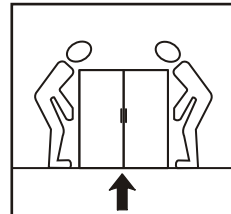
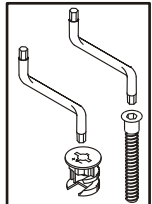
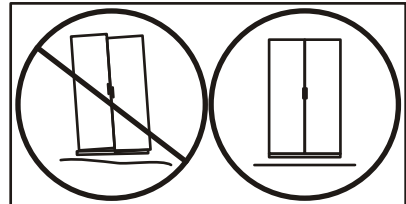
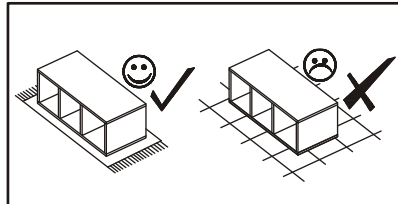
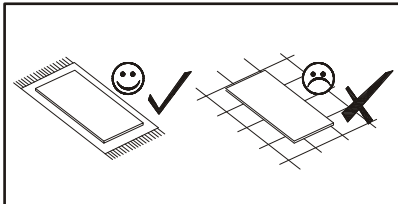
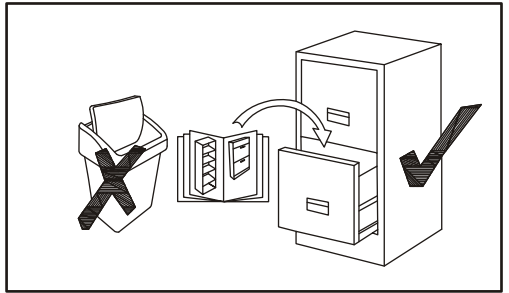
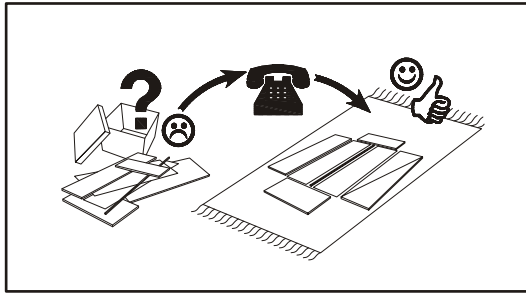
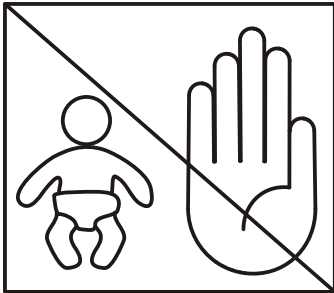
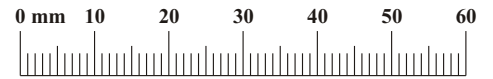


NO	Dim.		Col.-No	Qty
1	268	274	1	2
2	1602	274	1	1
3	1602	274	1	1
4	268	244	1	1
10	1580	280	1	1
5	1596	296	1	1
9	1496	176	1	1

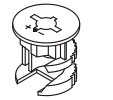
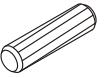


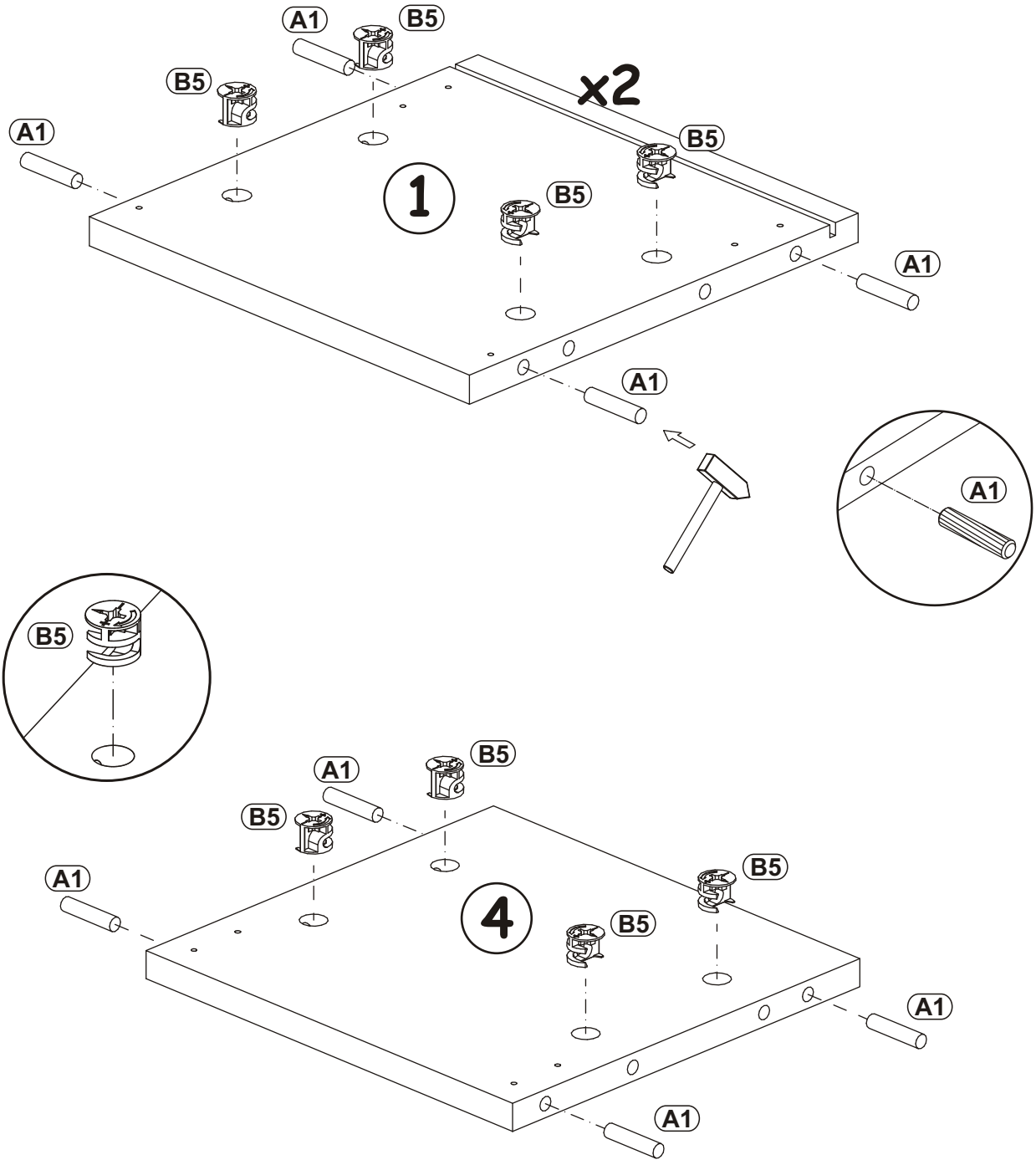
POINT TYP-51

A1 x12  ø8x36	B4 x12 	B5 x12  ø15x12	G5 x12 	E2 x4  H=0	E1 x4  Ø26 H=0
T1 x2 	BO1 x2 	S1 x12 	ZR1 x3 	D6 x6  USØ3,5x30	D10 x22  USØ3,5x13
UP13 x12  UPØ3x16	G2 x1 	KR2 x3 	P2 x10 	BP1 x2 	



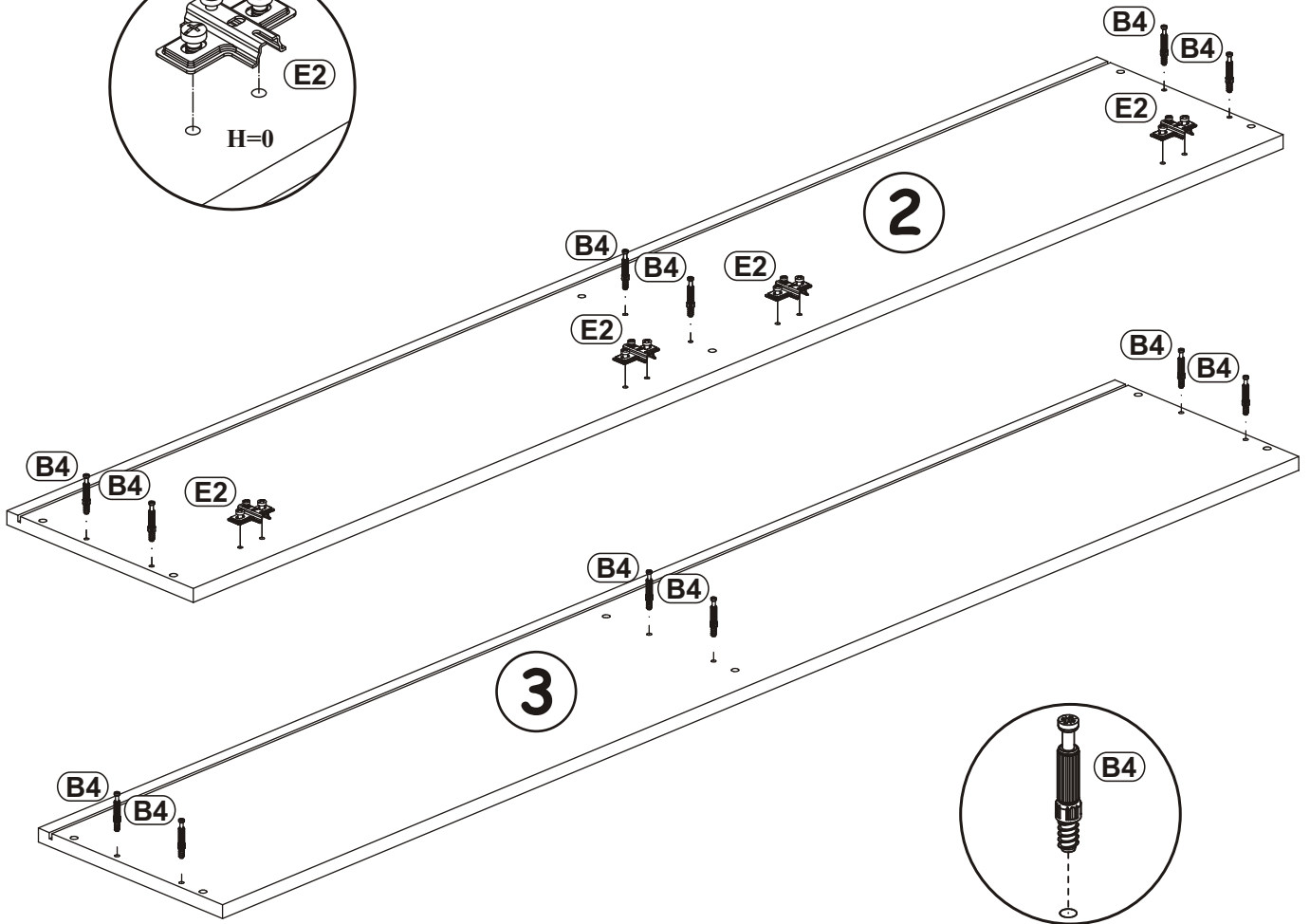
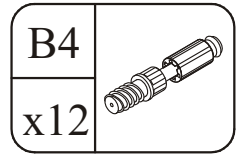
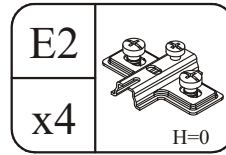
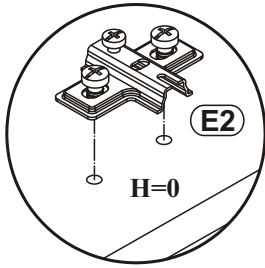
1

B5		A1	
x12	ø15x12	x12	ø8x36

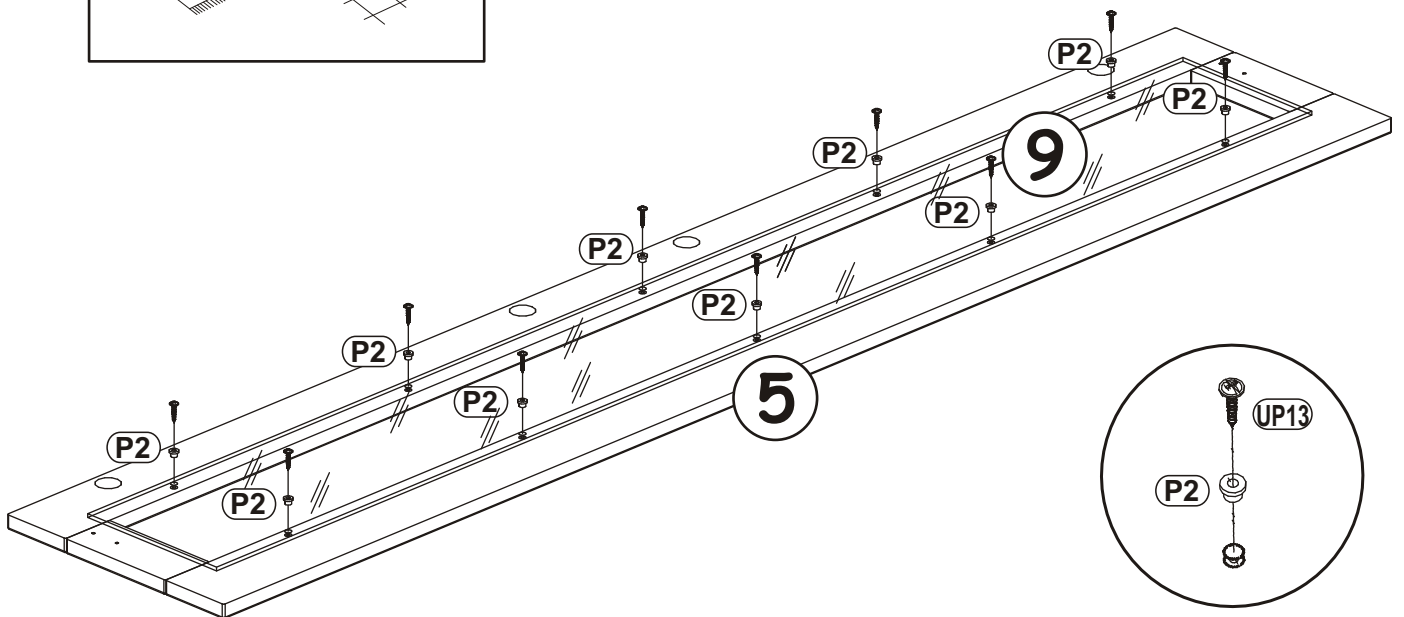
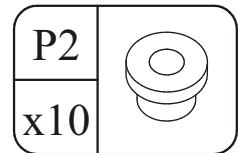
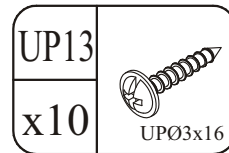
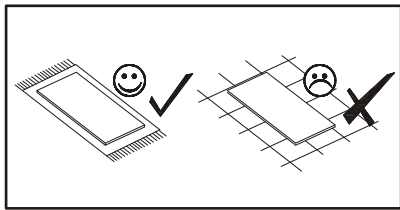


POINT TYP-51

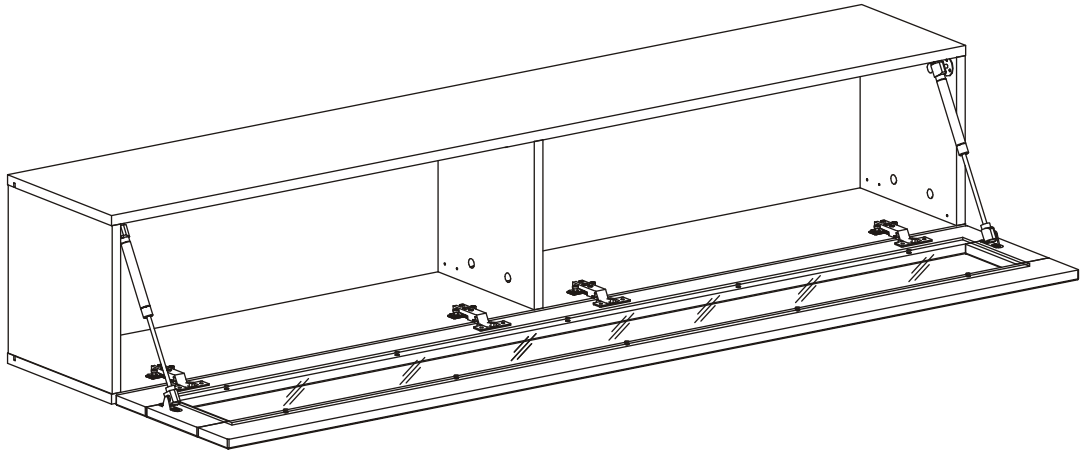
2



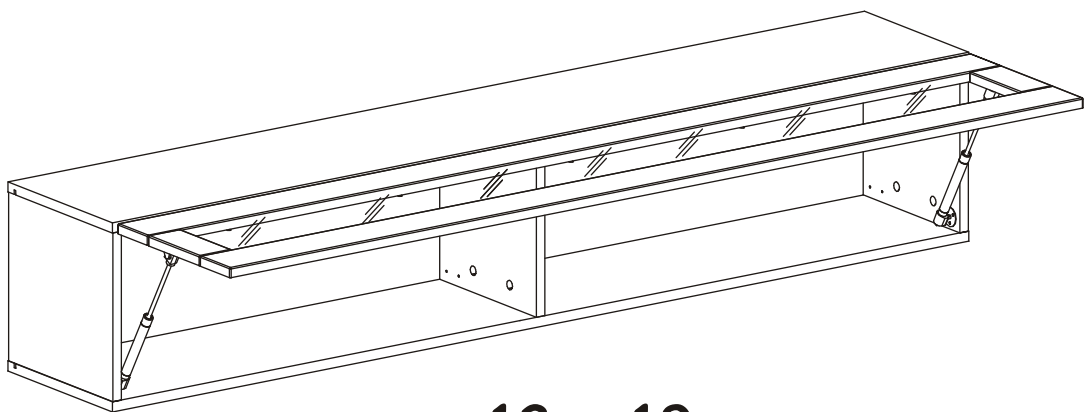
3



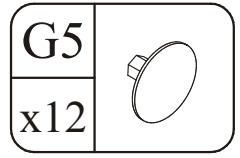
POINT TYP-51



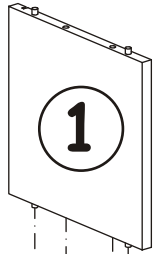
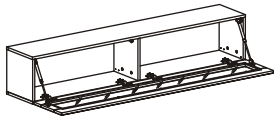
4 - 11



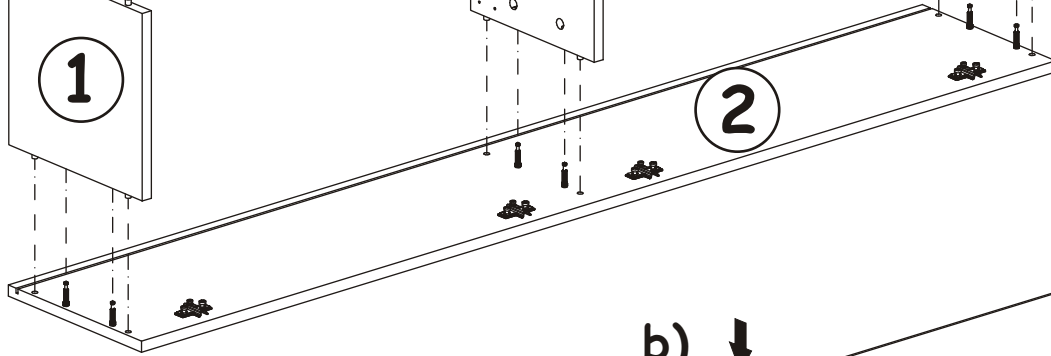
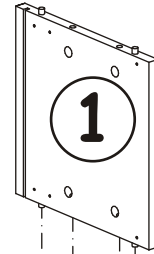
12 - 19



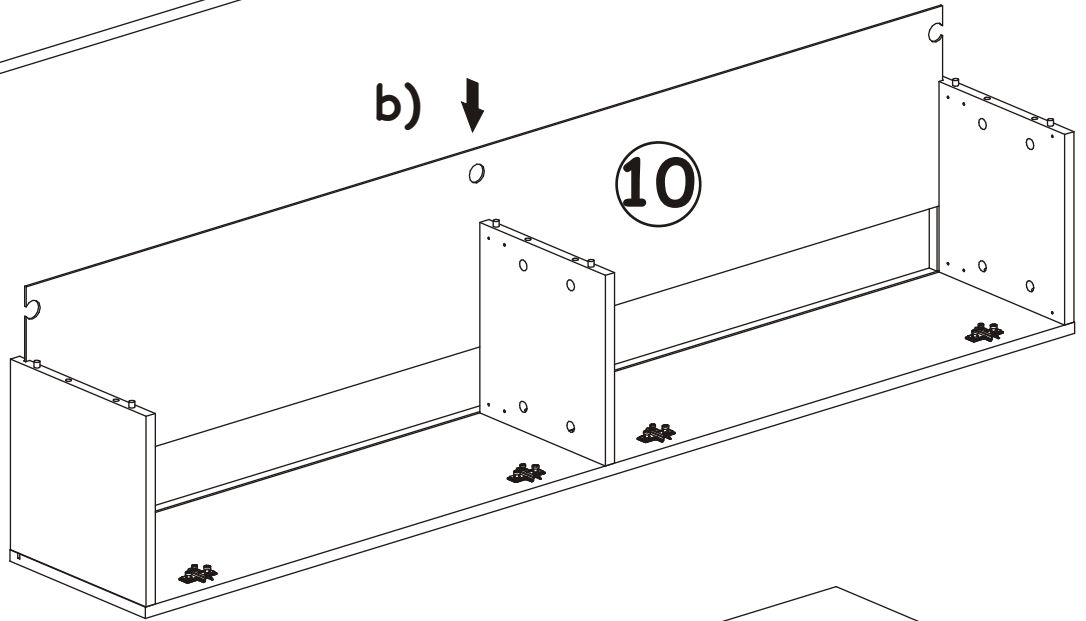
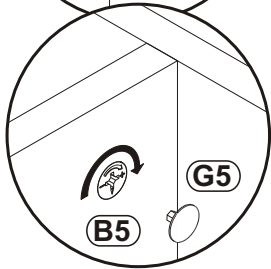
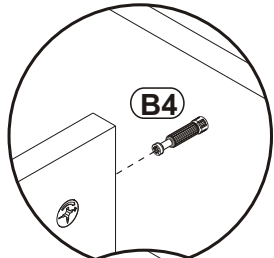
4



a)

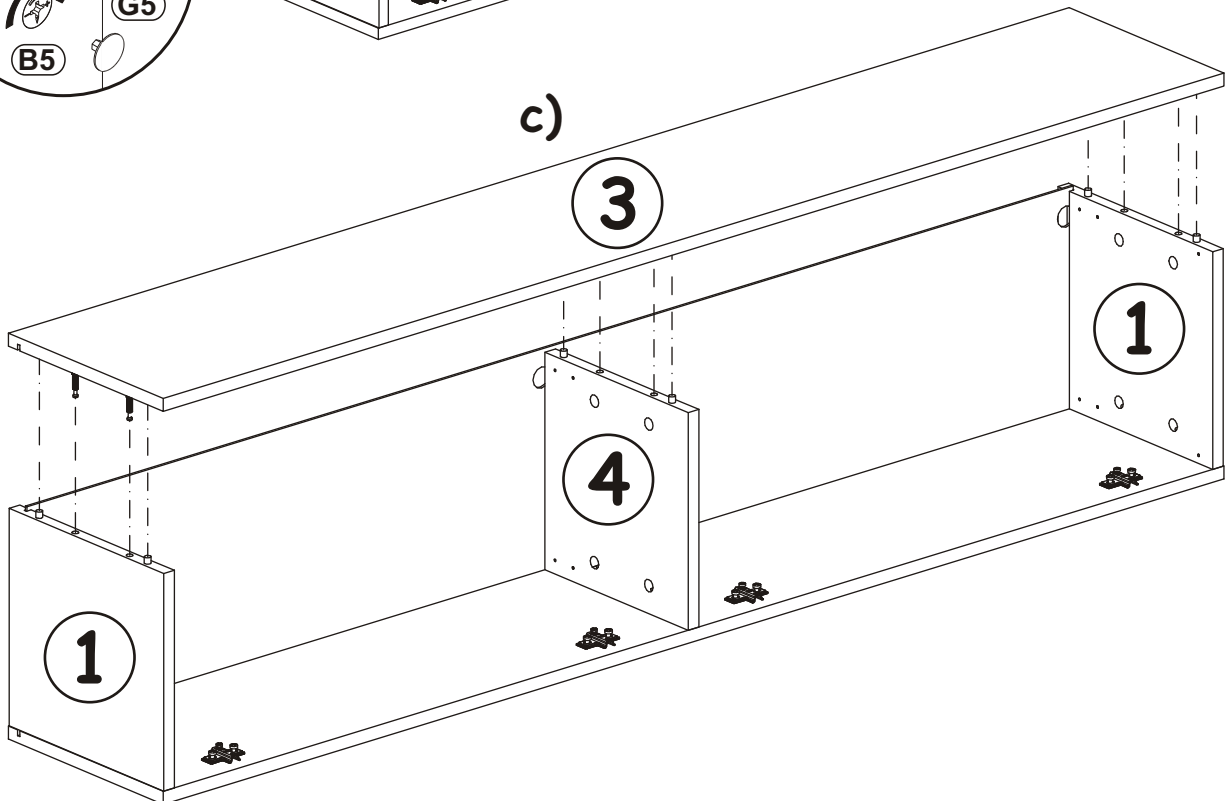


b) ↓



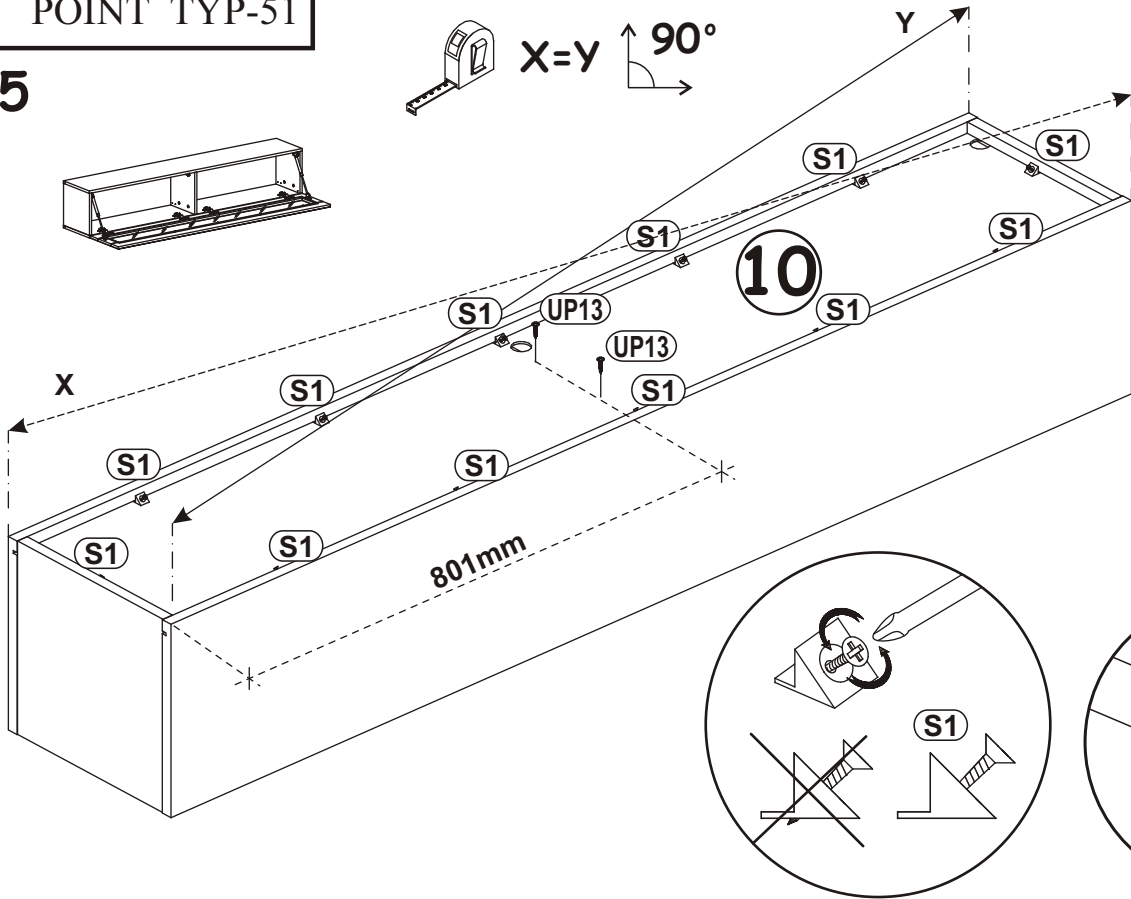
c)

3



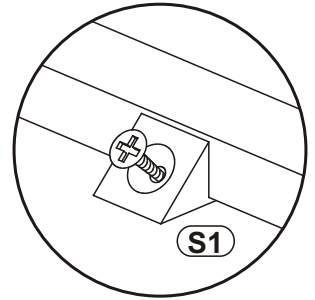
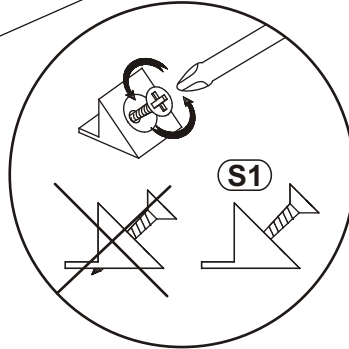
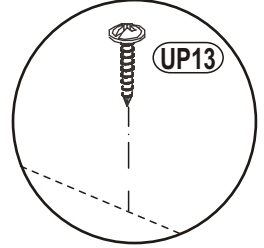
POINT TYP-51

5

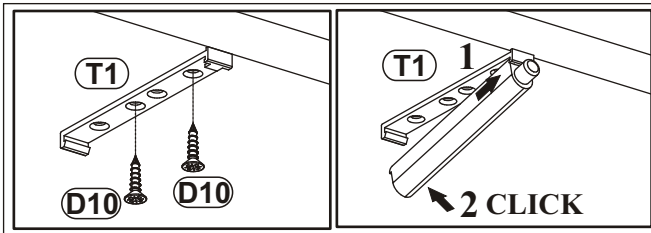


UP13	
x2	UPØ3x16

S1	
x12	



6

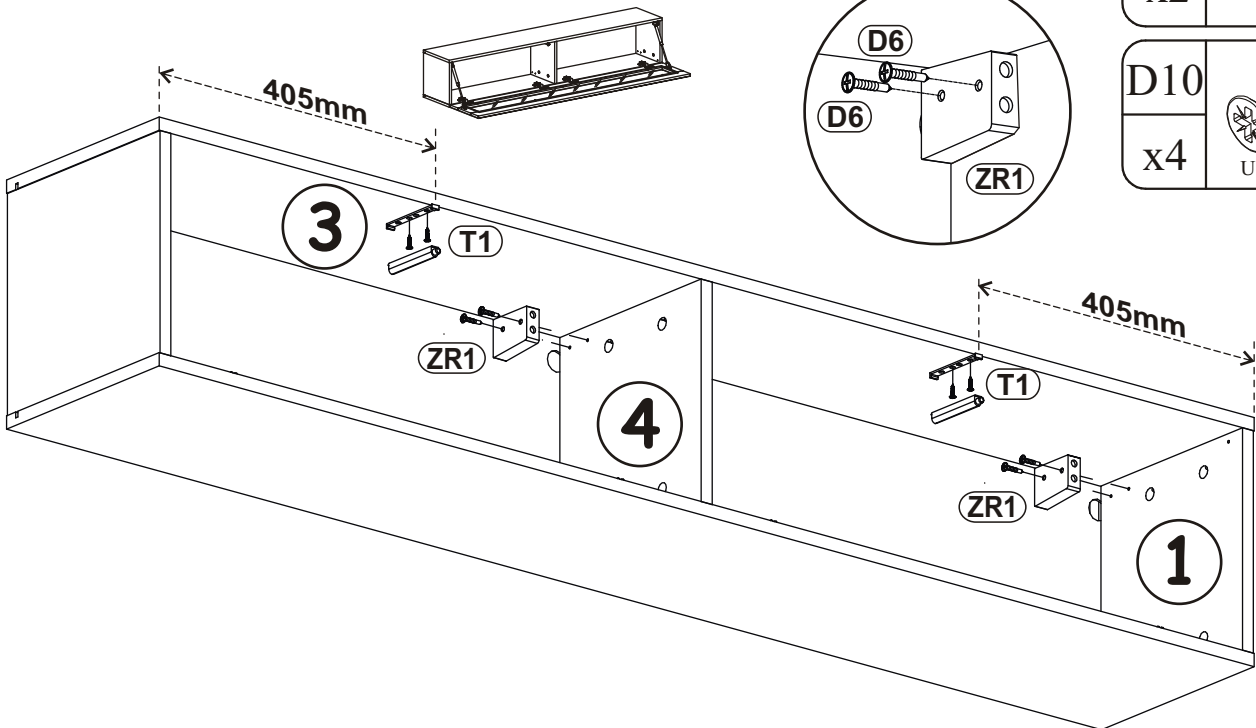


ZR1	
x2	

D6	
x4	USØ3,5x30

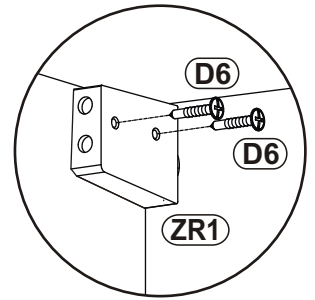
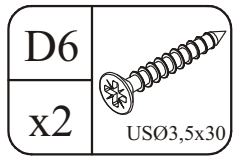
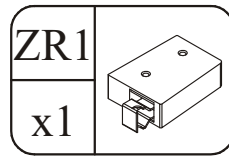
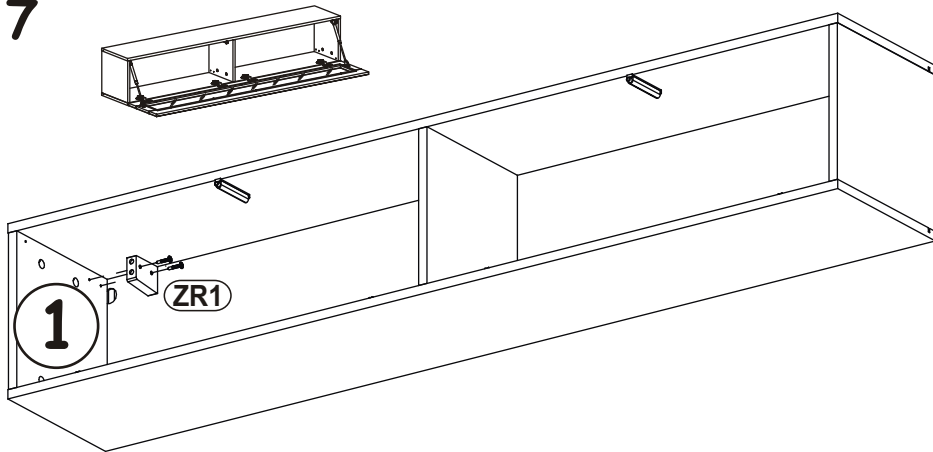
T1	
x2	

D10	
x4	USØ3,5x13

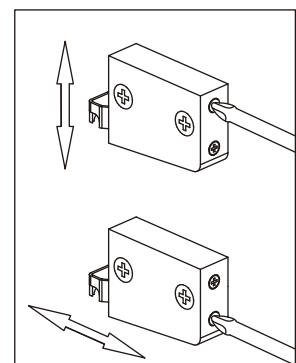
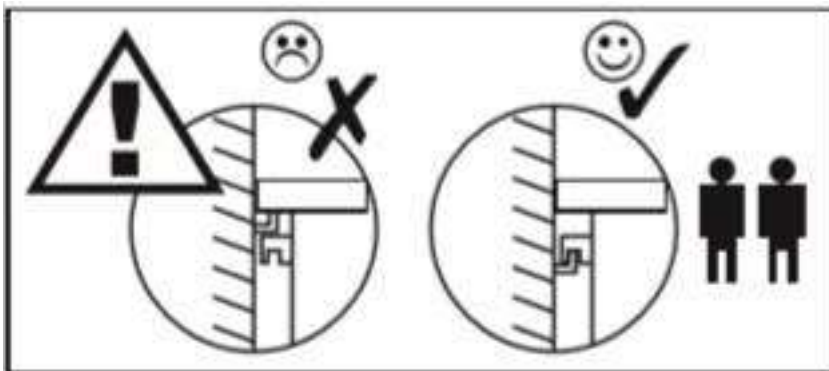
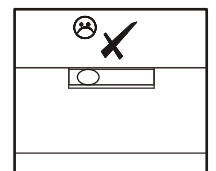
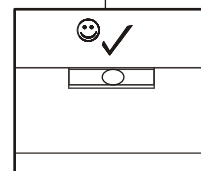
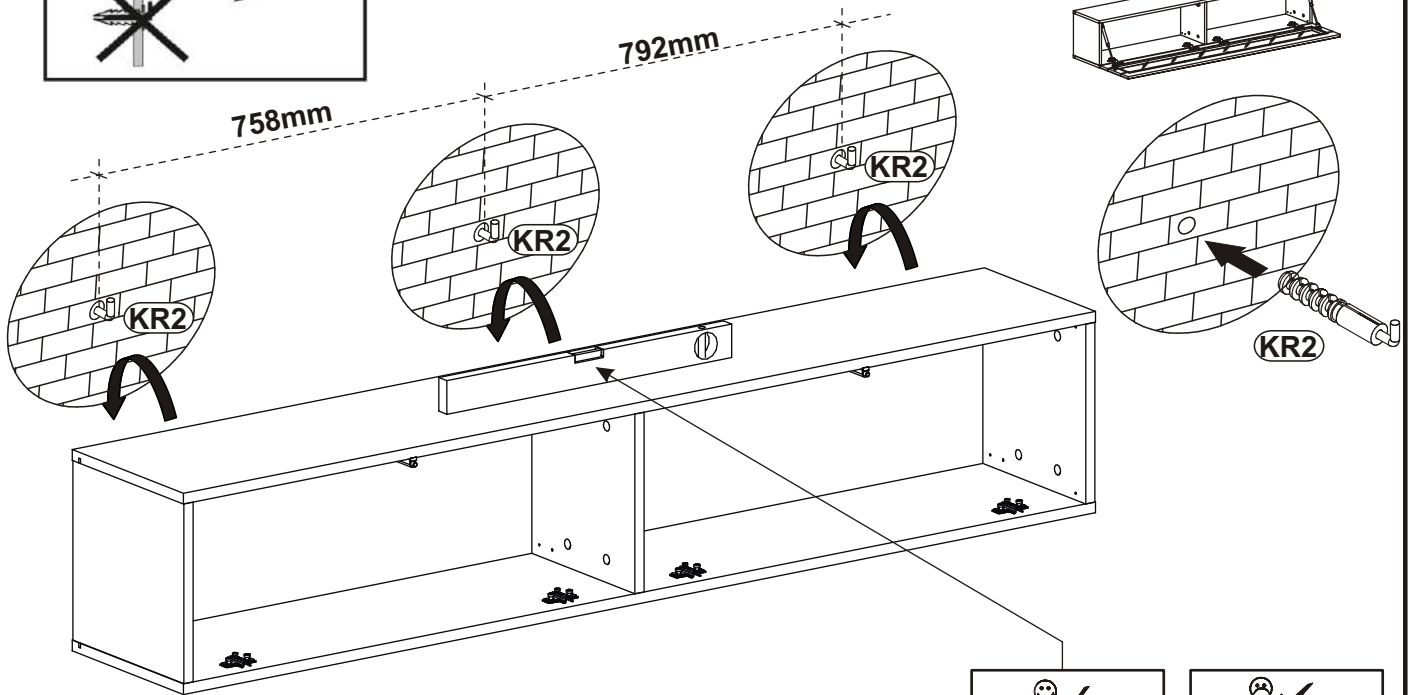
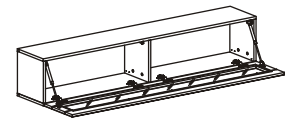
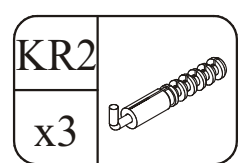
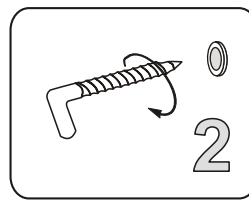
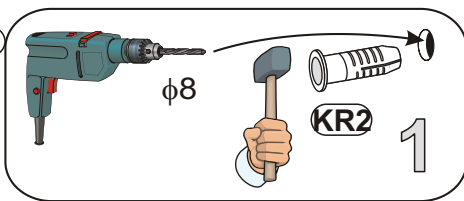
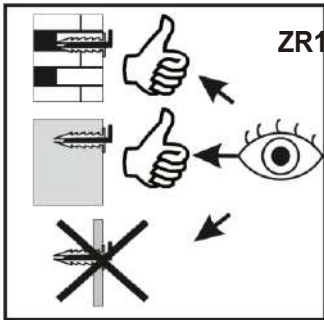


POINT TYP-51

7



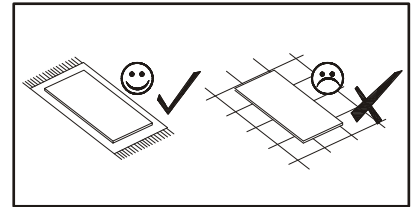
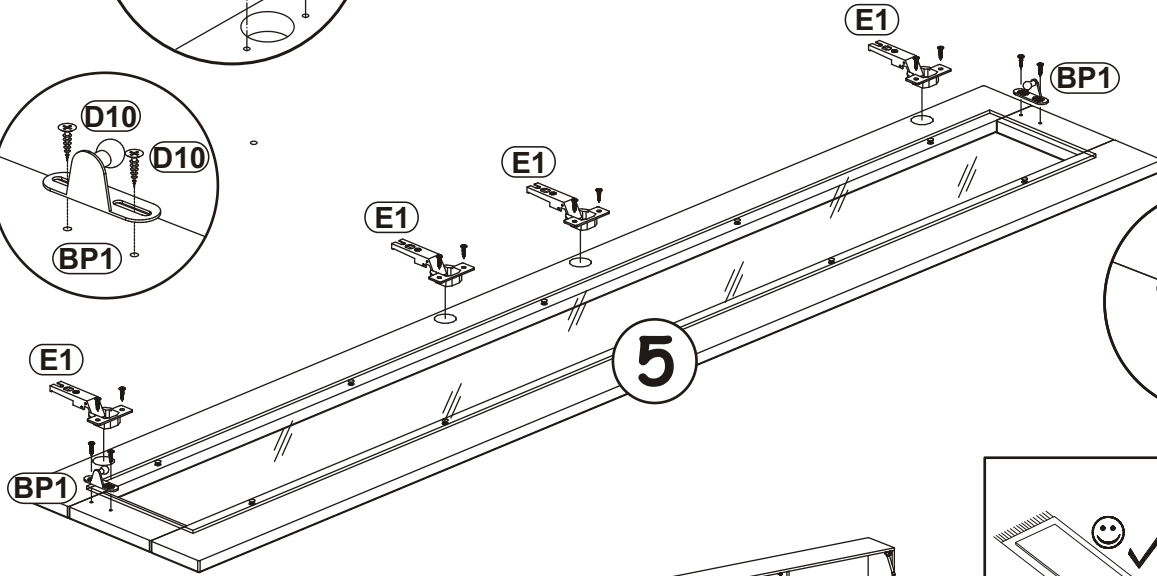
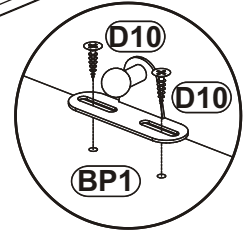
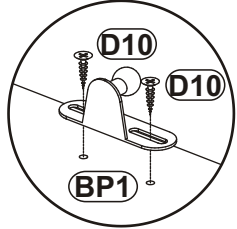
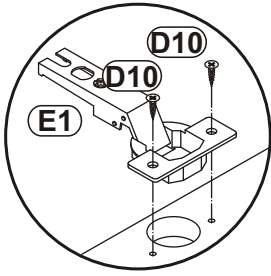
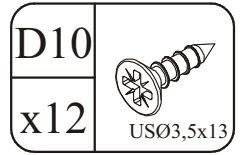
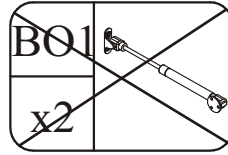
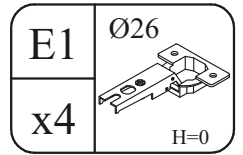
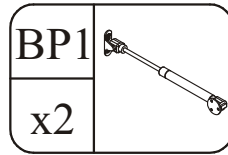
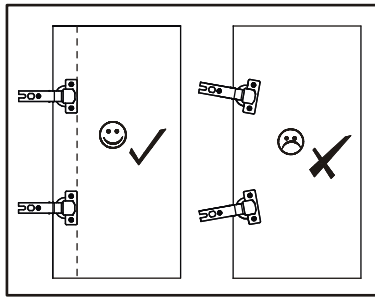
8



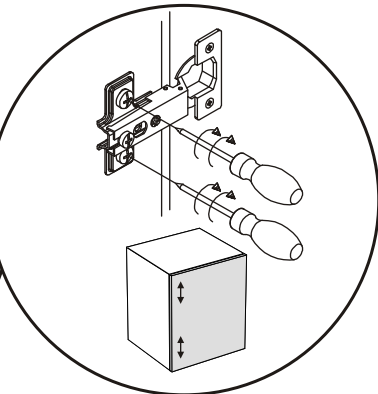
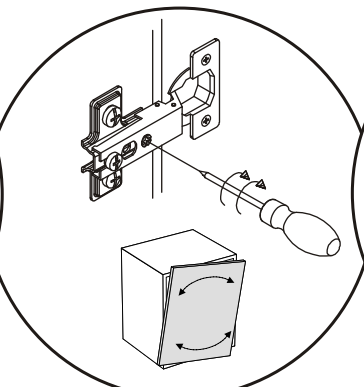
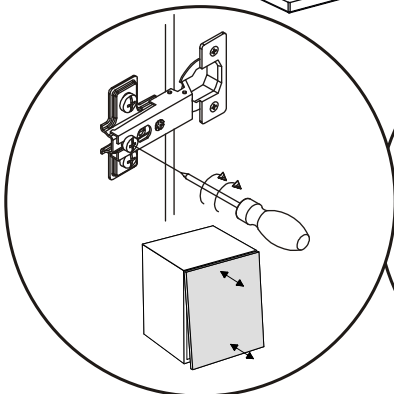
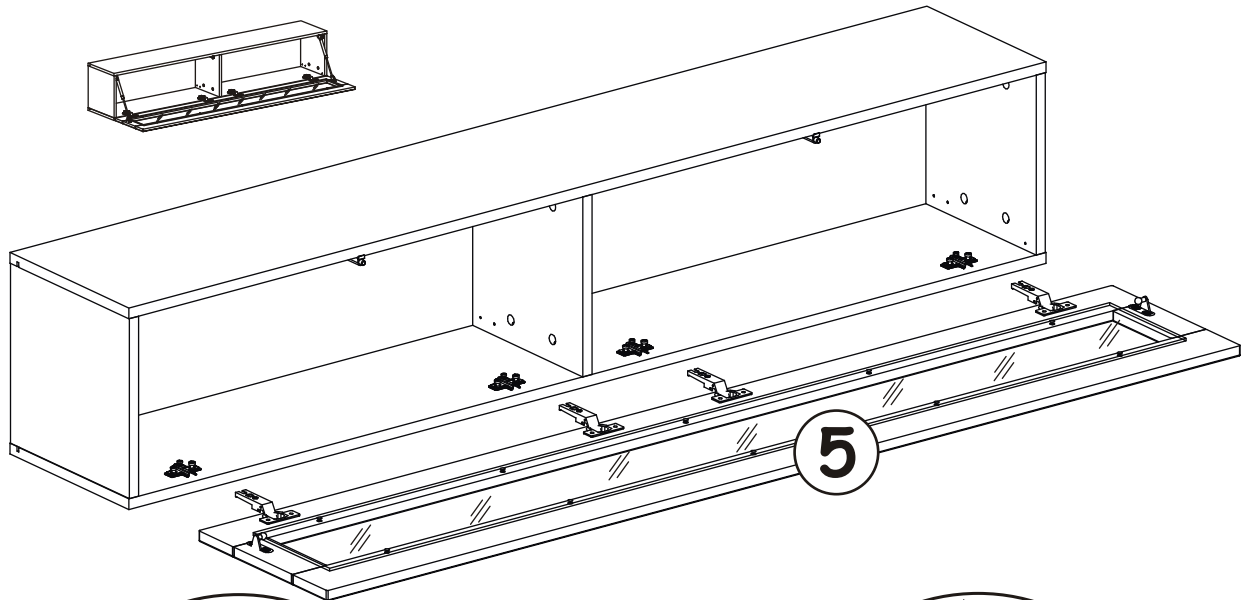


POINT TYP-51

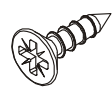
9

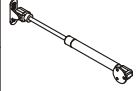


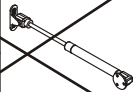
10

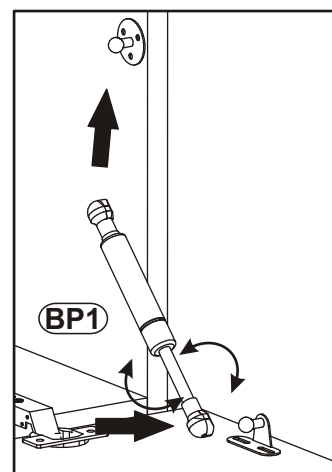
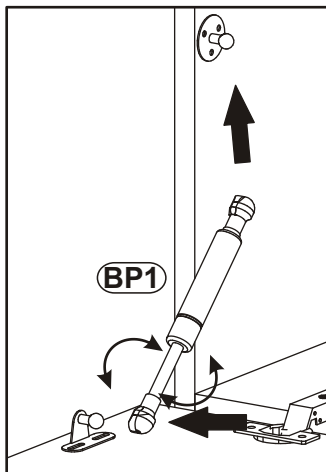
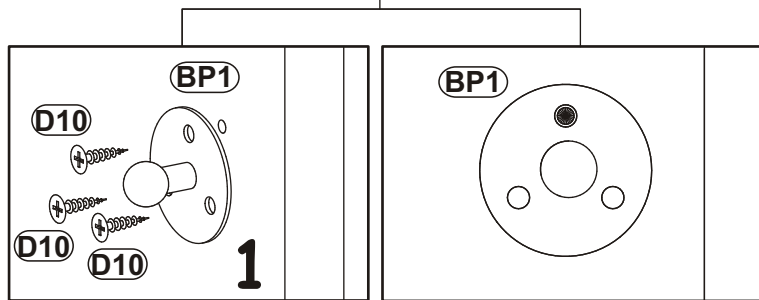
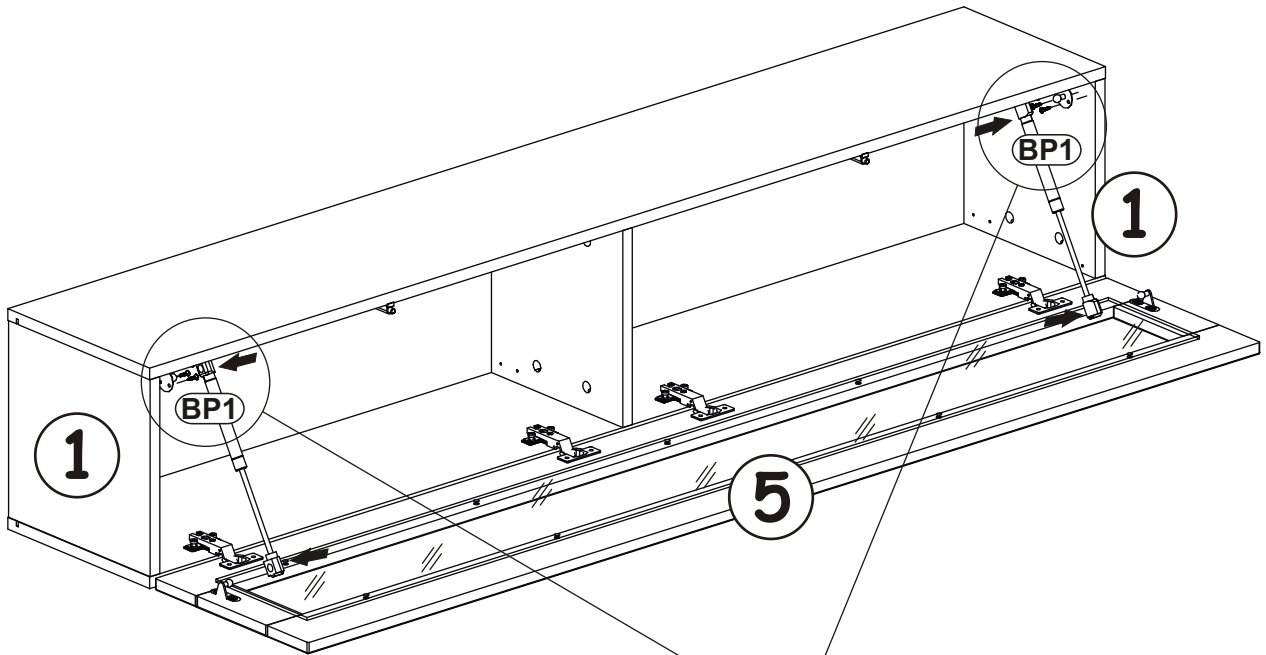
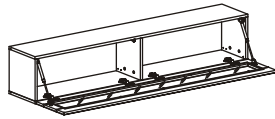


11

D10	
x6	USØ3,5x13

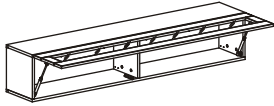
BP1	
x2	

<del>BO1</del>	<del></del>
<del>x2</del>	

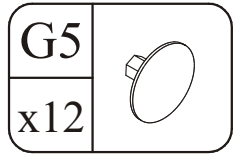
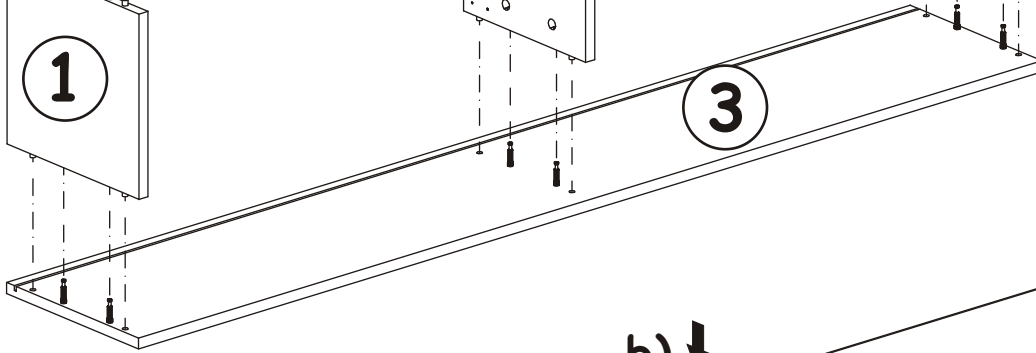
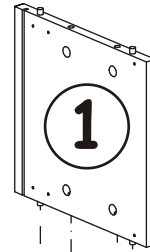
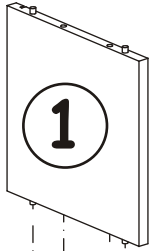


POINT TYP-51

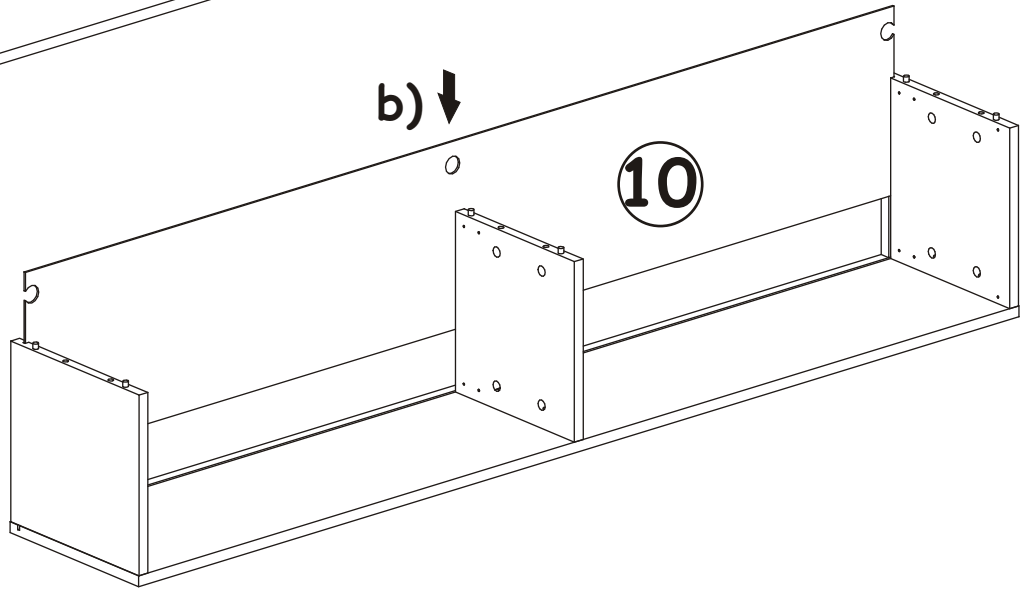
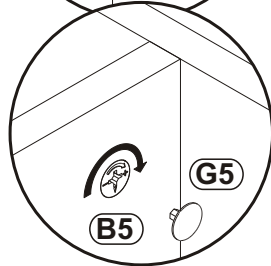
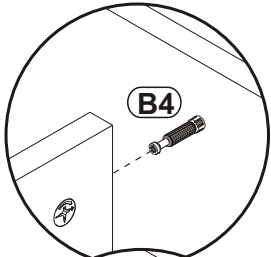
12



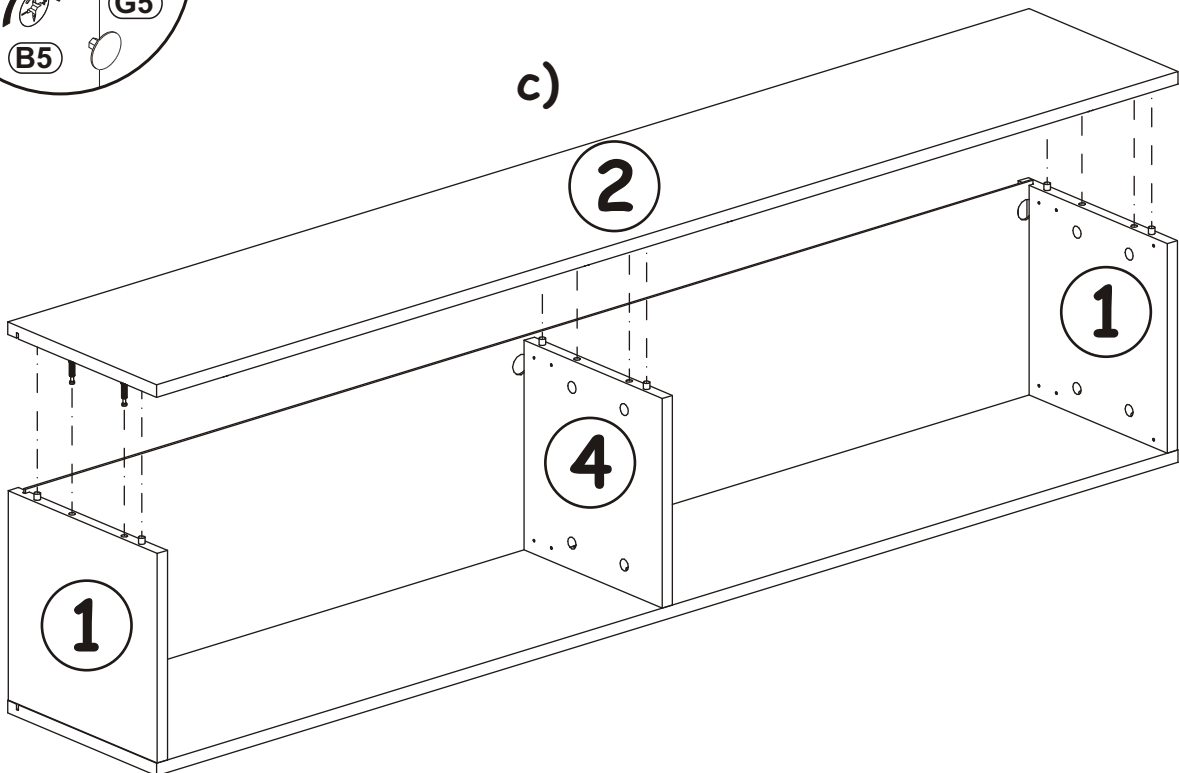
a)



b) ↓

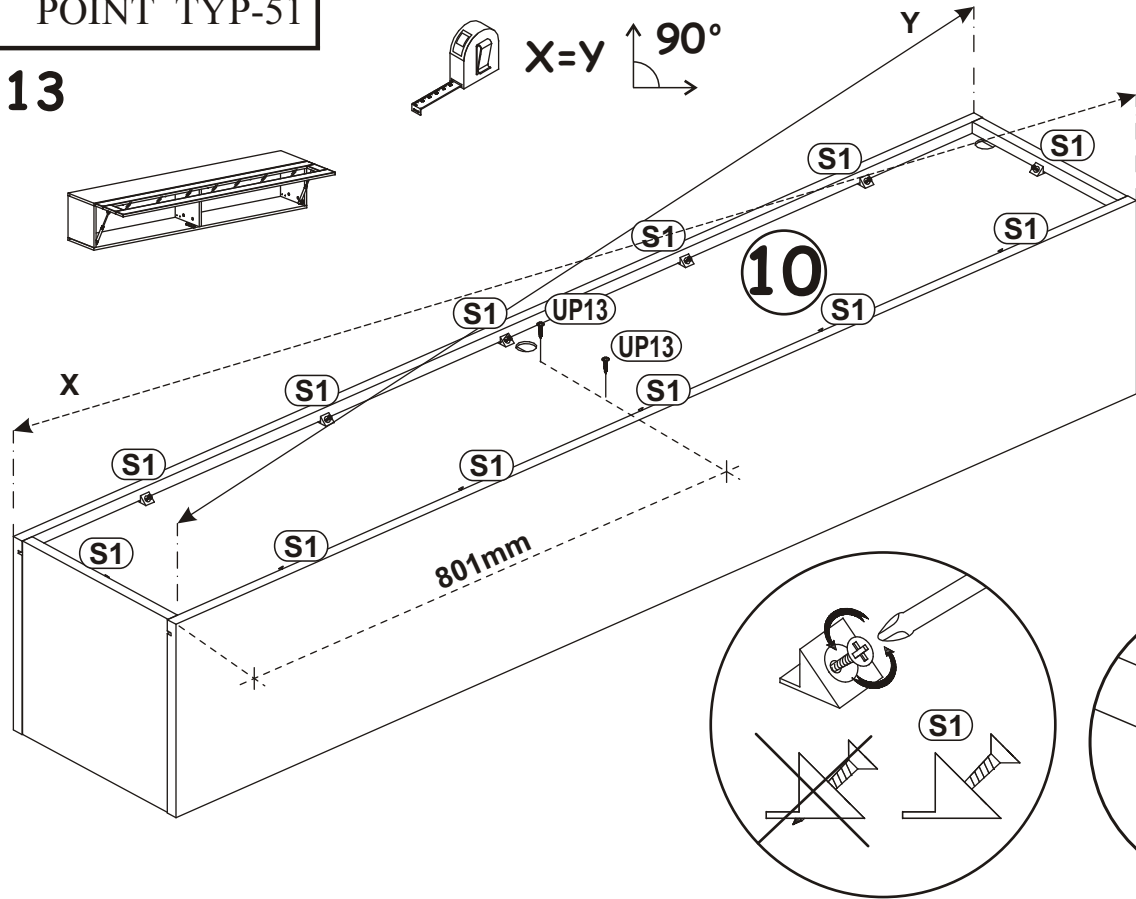


c)



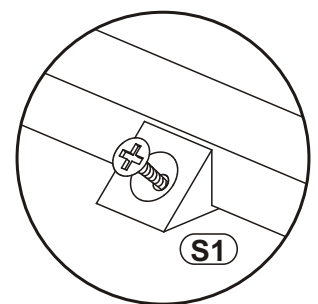
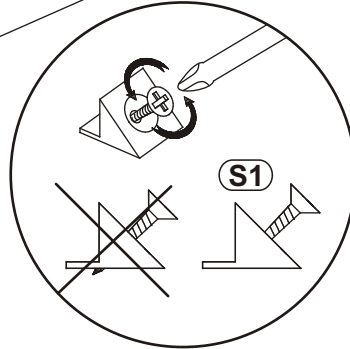
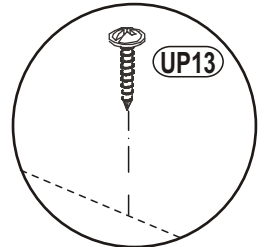
POINT TYP-51

13

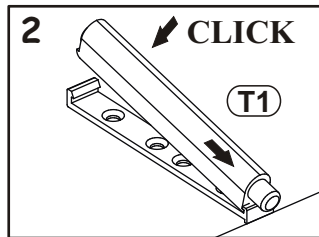
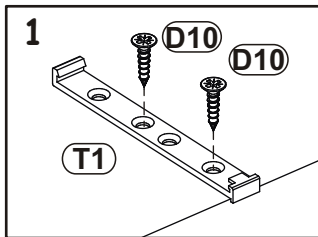


UP13	
x2	UP03x16

S1	
x12	



14

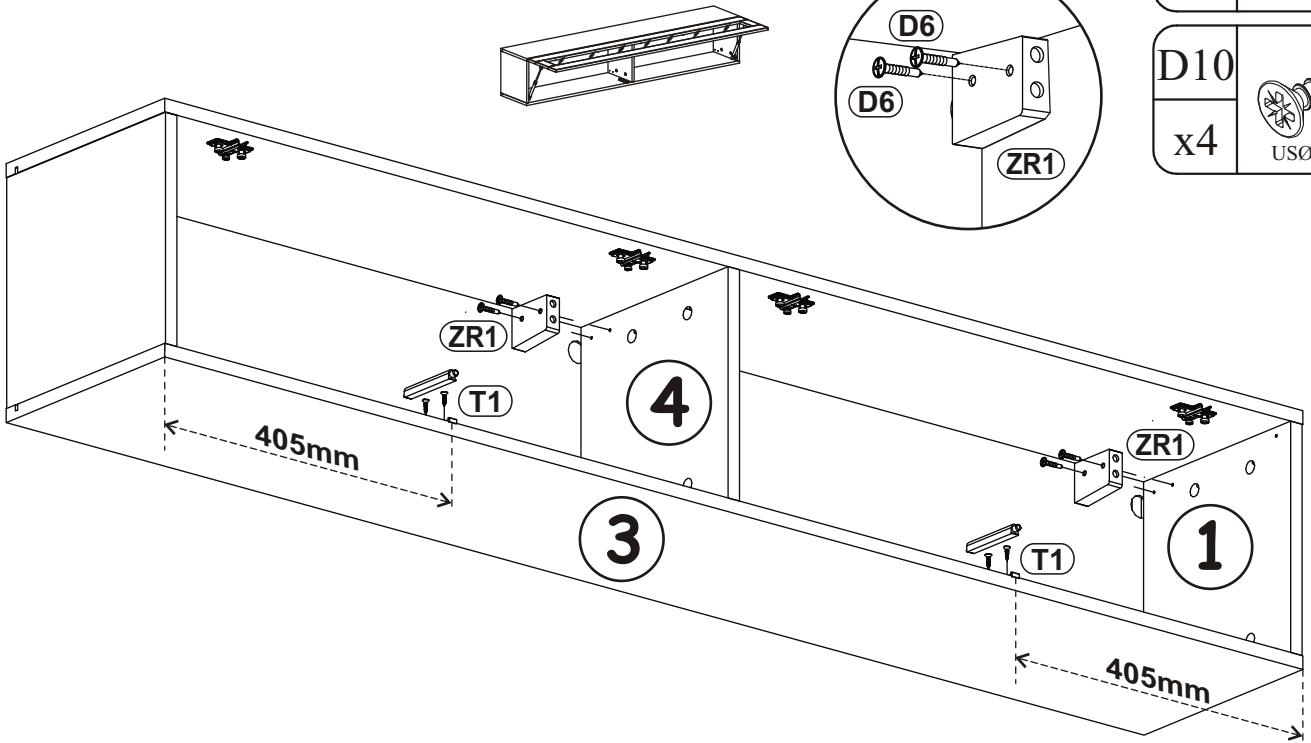
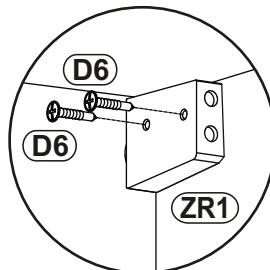


ZR1	
x2	

D6	
x4	US03,5x30

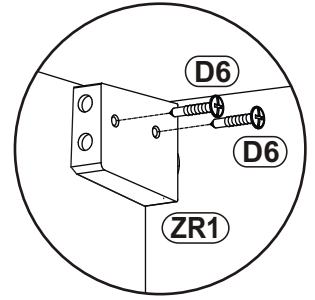
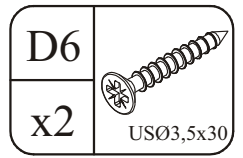
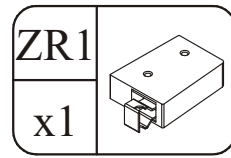
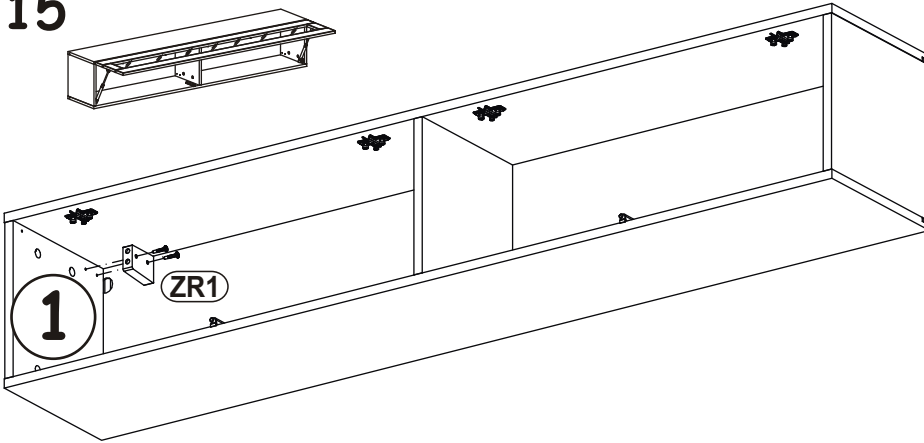
T1	
x2	

D10	
x4	US03,5x13

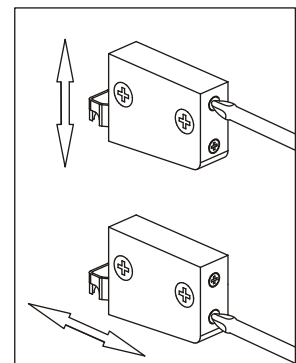
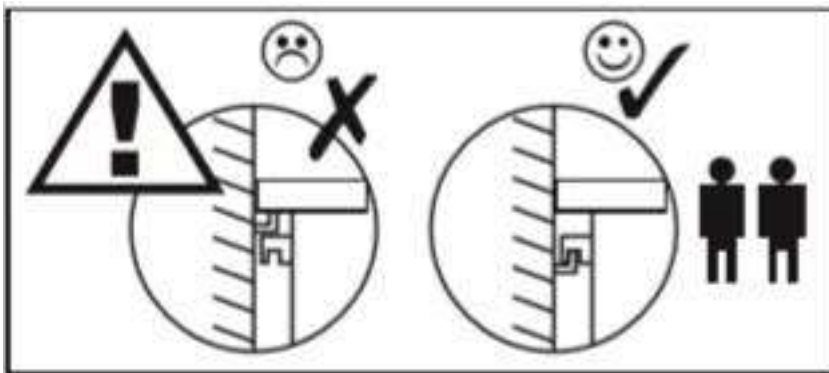
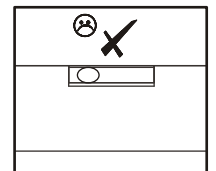
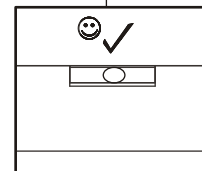
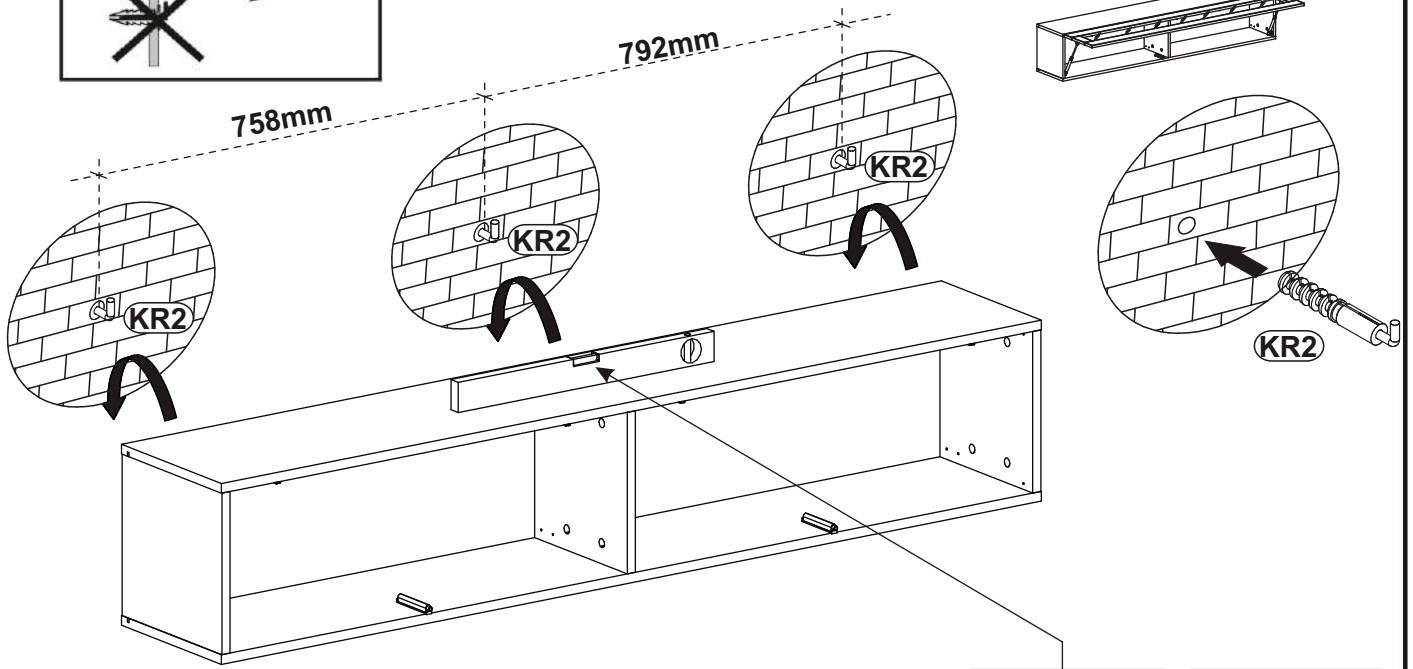
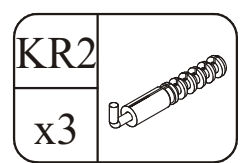
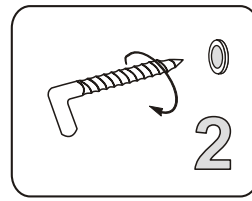
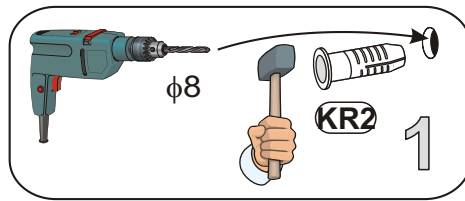
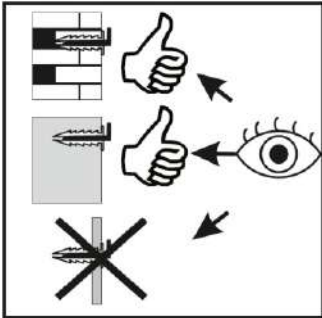


POINT TYP-51

15

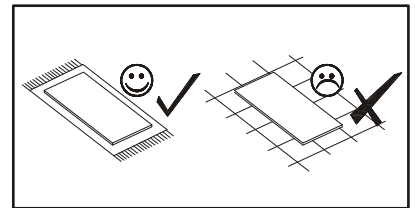
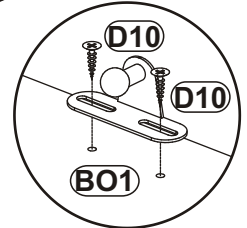
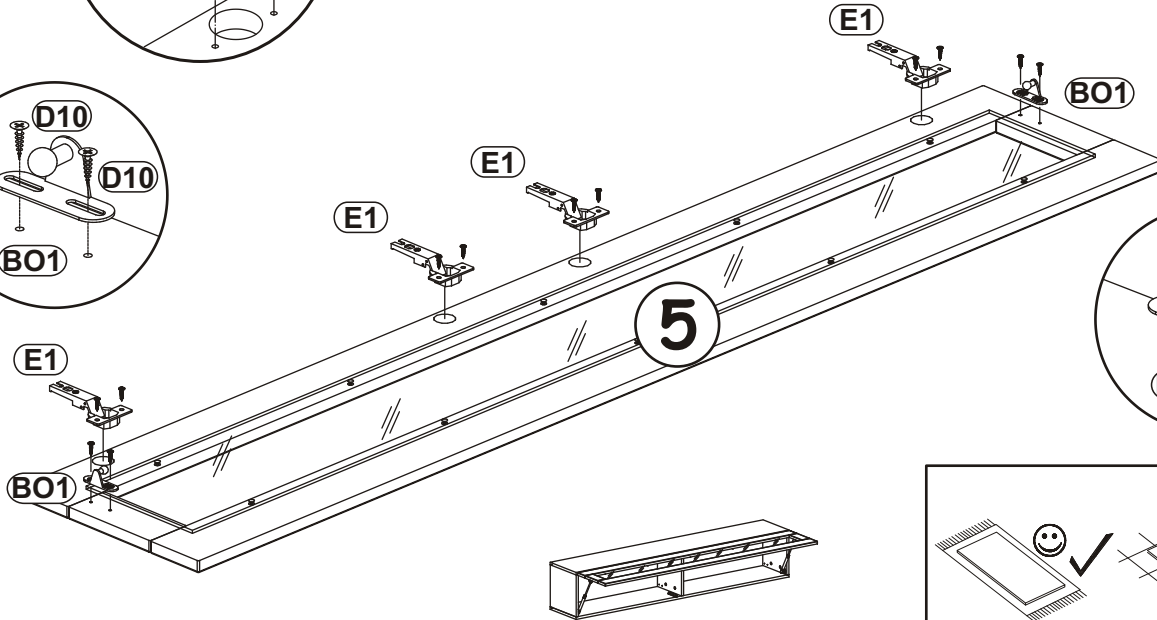
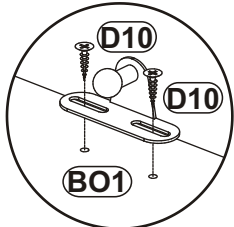
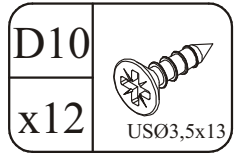
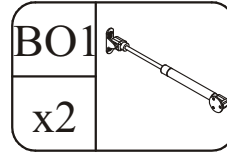
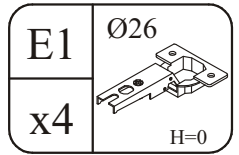
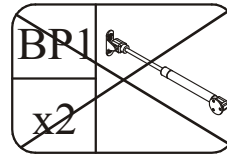
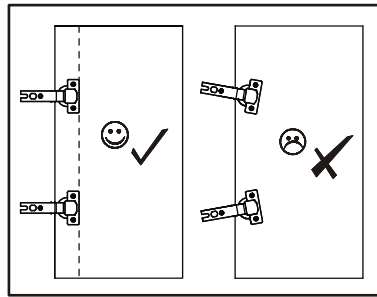
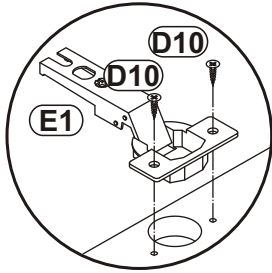


16

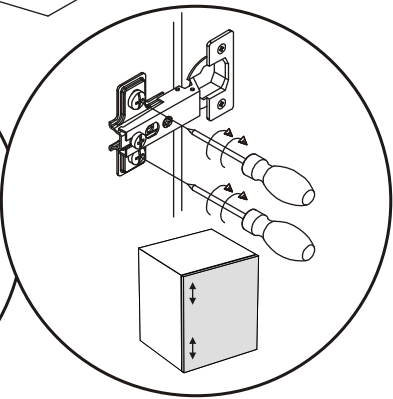
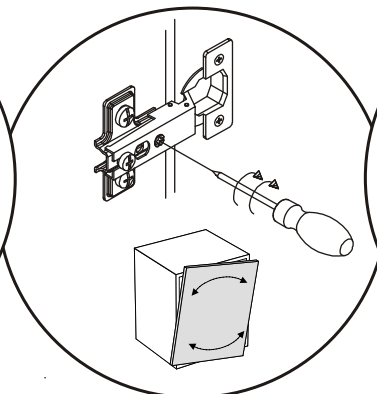
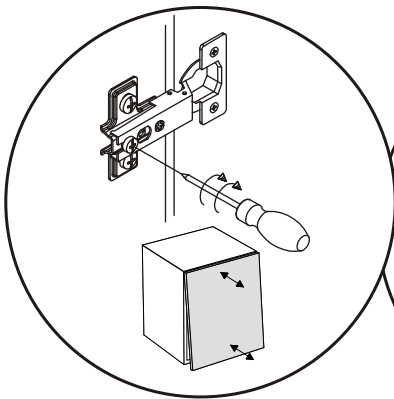
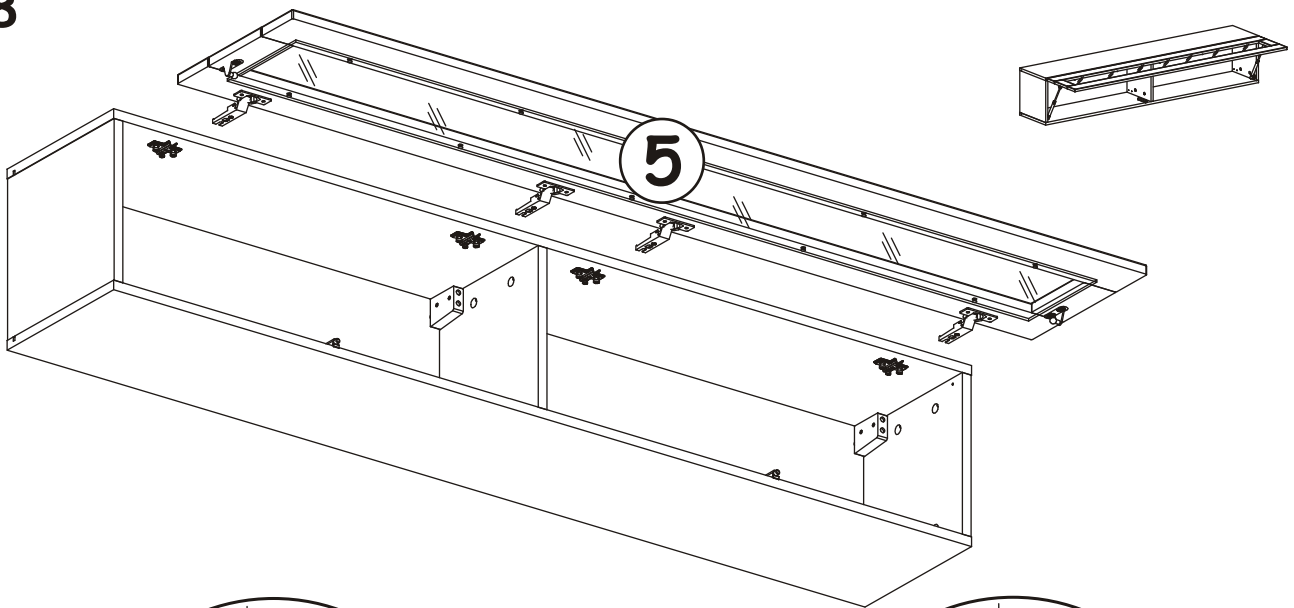


POINT TYP-51

17



18



POINT TYP-51

