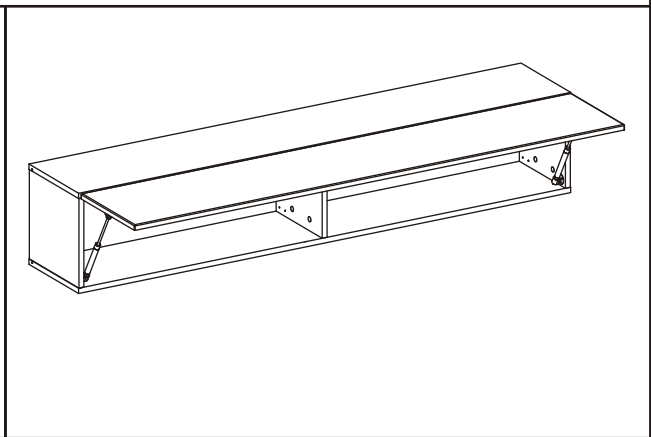
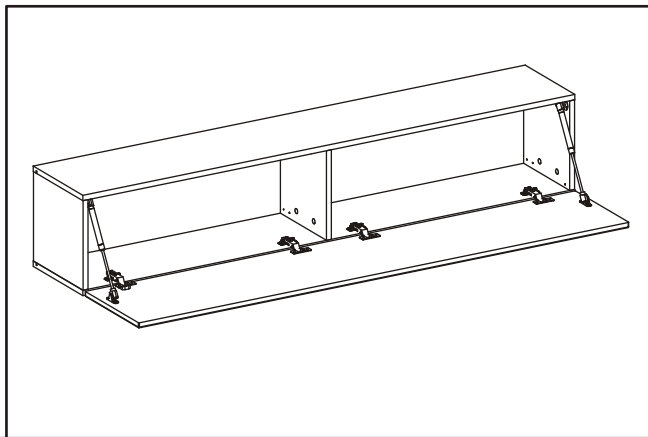
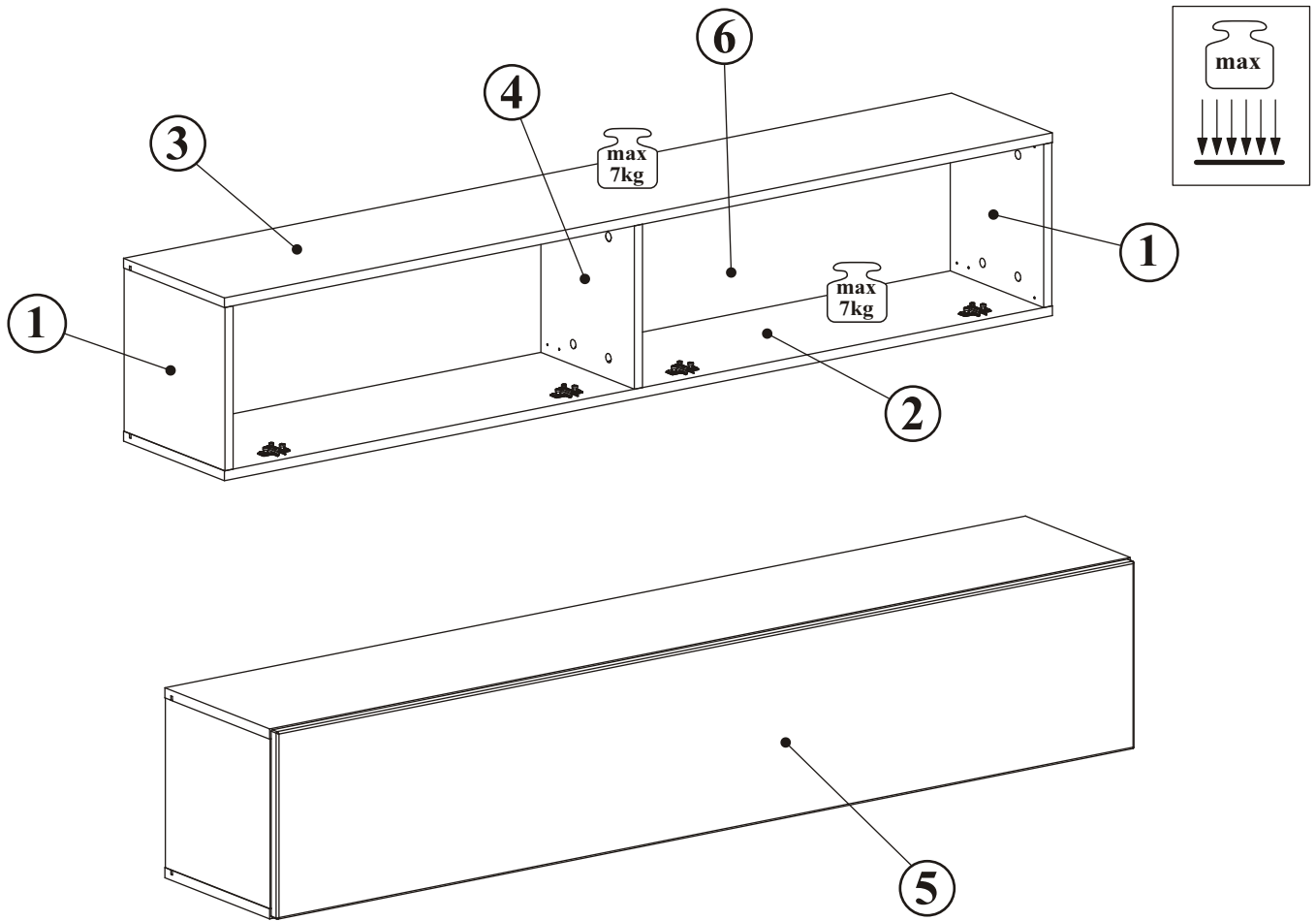
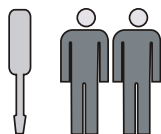
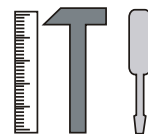


POINT TYP-50

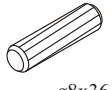
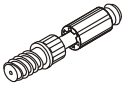
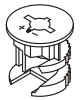

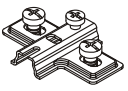
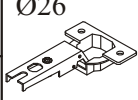
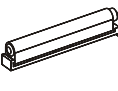
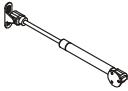

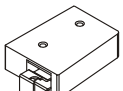


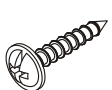

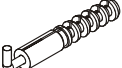
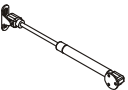


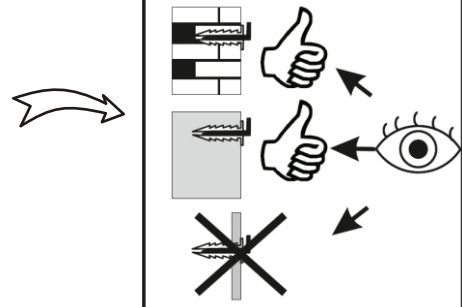
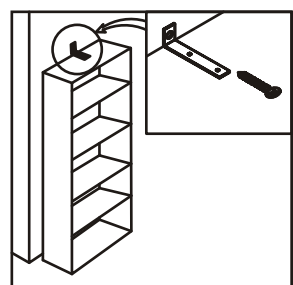
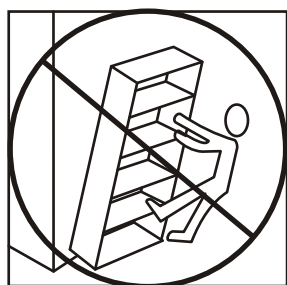
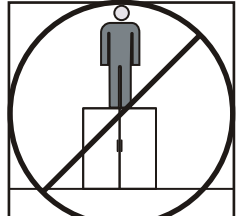
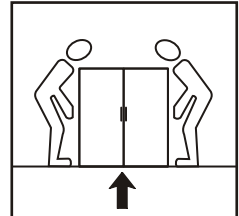
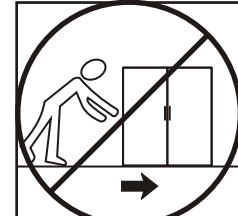
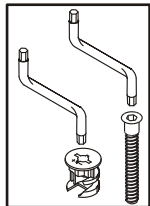
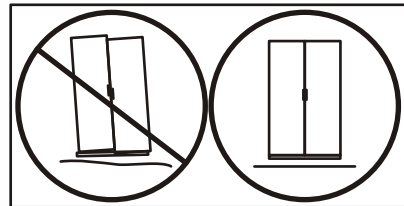
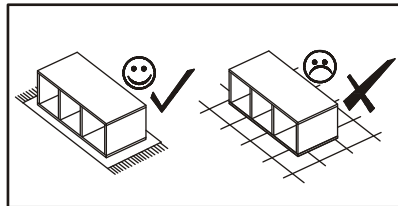
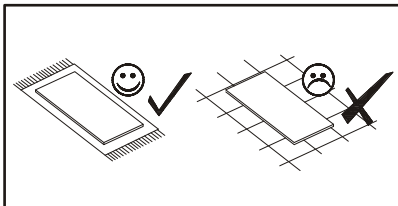
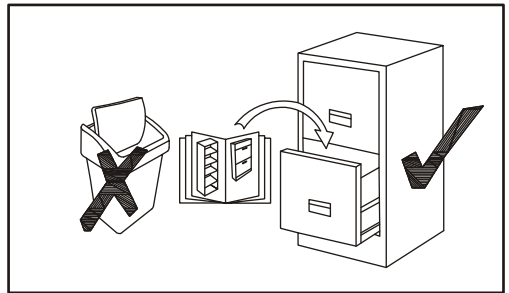
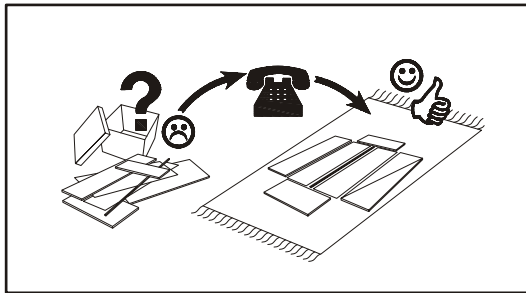
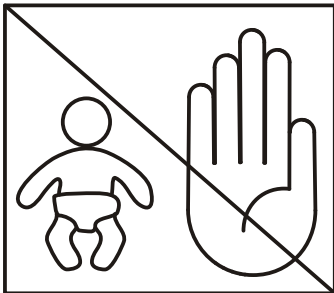
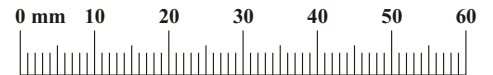
NO	Dim.		Col.-No	Qty
1	268	274	1	2
2	1602	274	1	1
3	1602	274	1	1
4	268	254	1	1
6	1580	280	1	1
5	1596	296	1	1



90 min

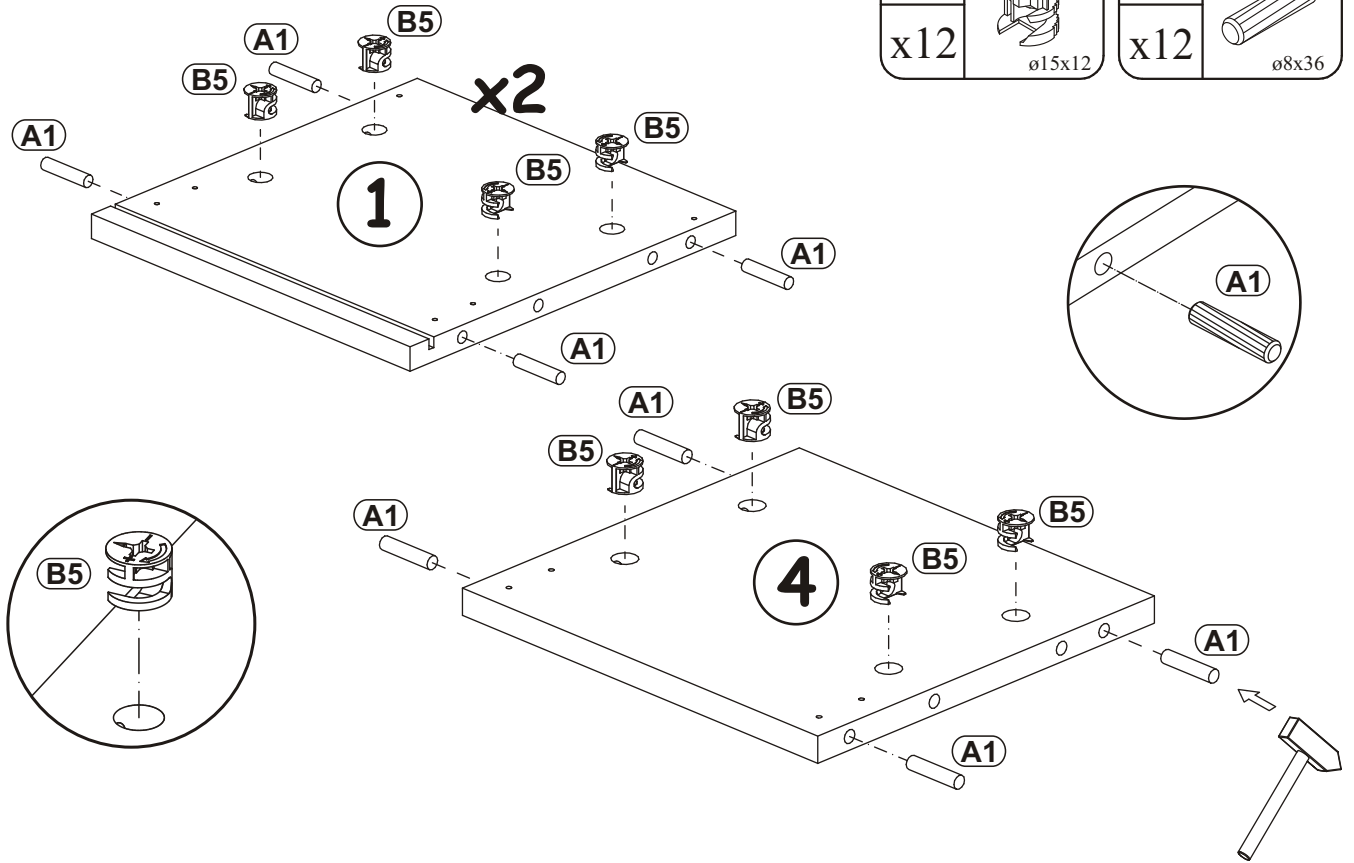
POINT TYP-50

A1 x12  ø8x36	B4 x12 	B5 x12  ø15x12	G5 x12 	E2 x4  H=0	E1 x4  H=0
T1 x2 	BO1 x2 	S1 x12 	ZR1 x3 	D6 x6  USØ3,5x30	D10 x22  USØ3,5x13
UP13 x2  UPØ3x16	G2 x1 	KR2 x3 	BP1 x2 		

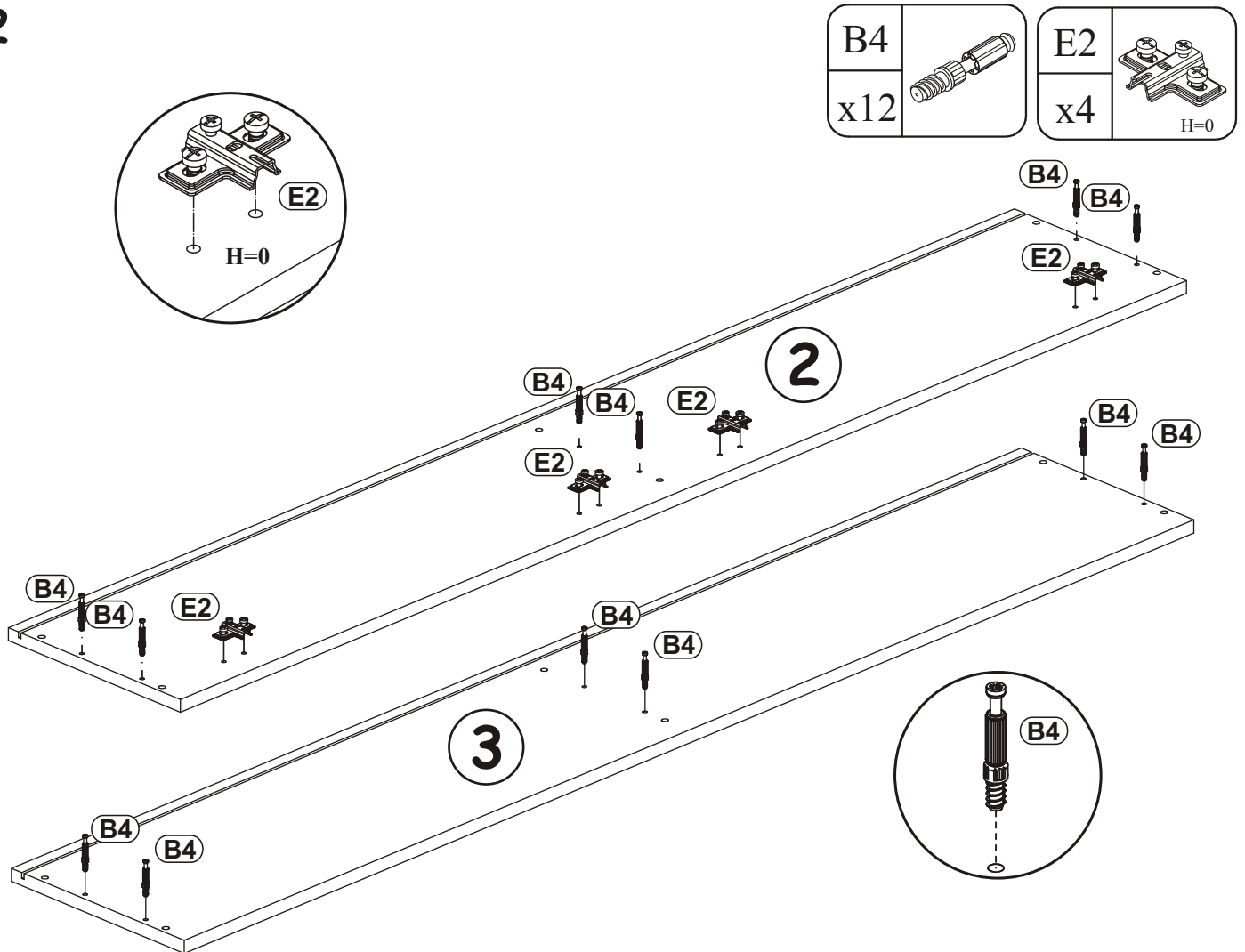


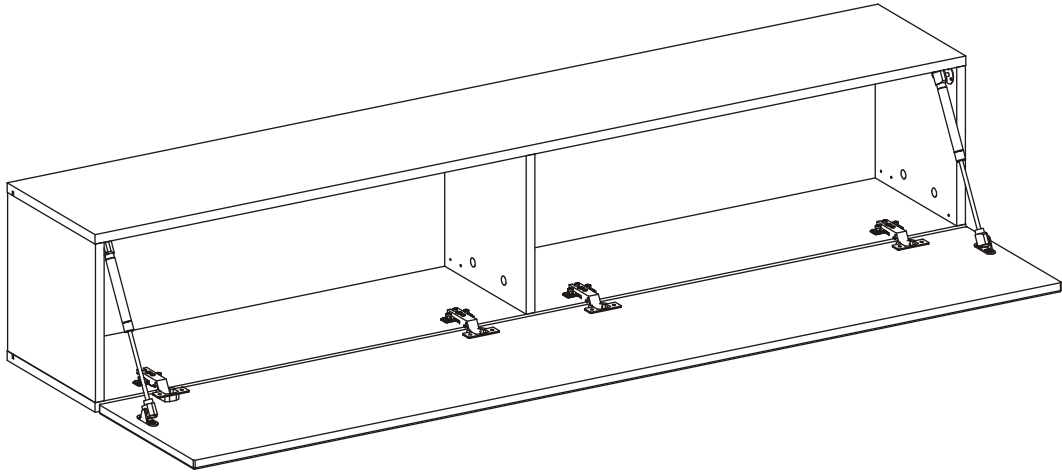
POINT TYP-50

1

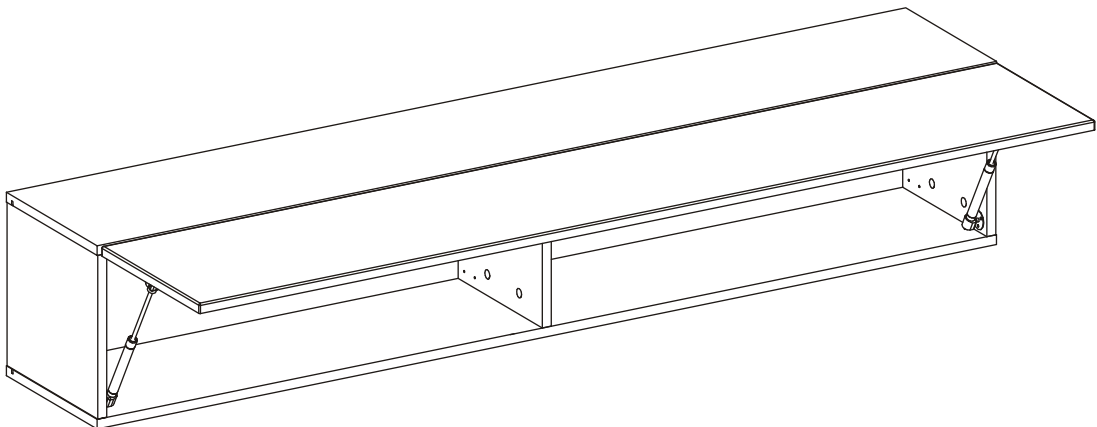


2

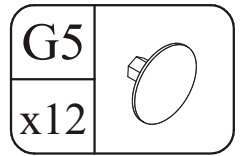




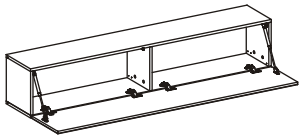
3 - 10



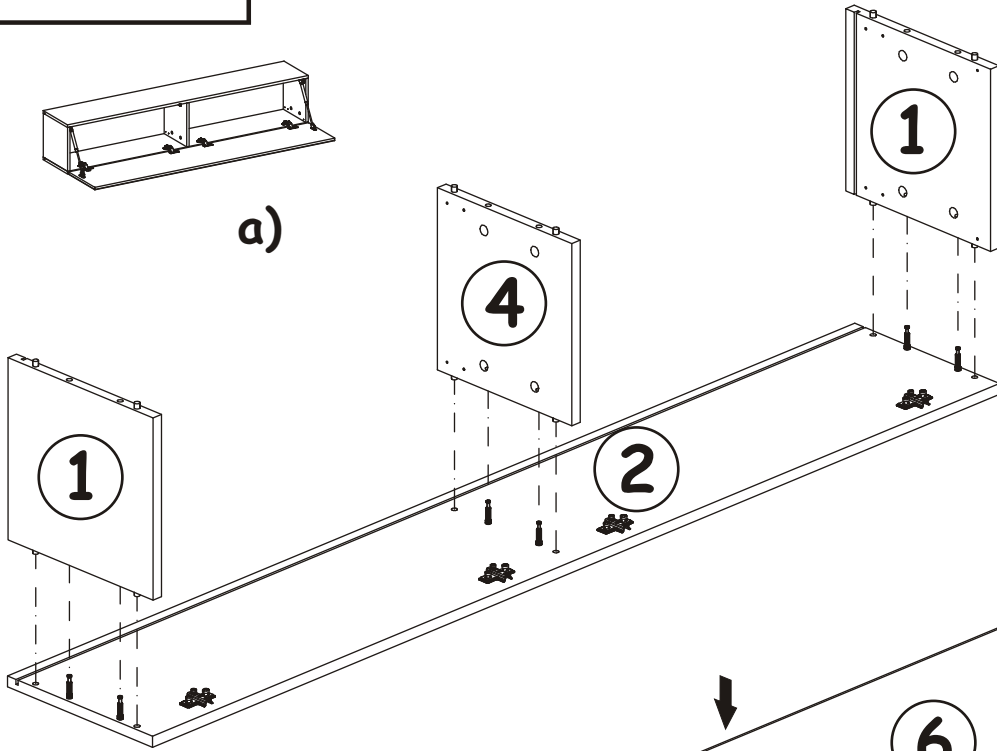
11 - 18



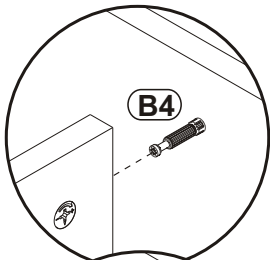
3



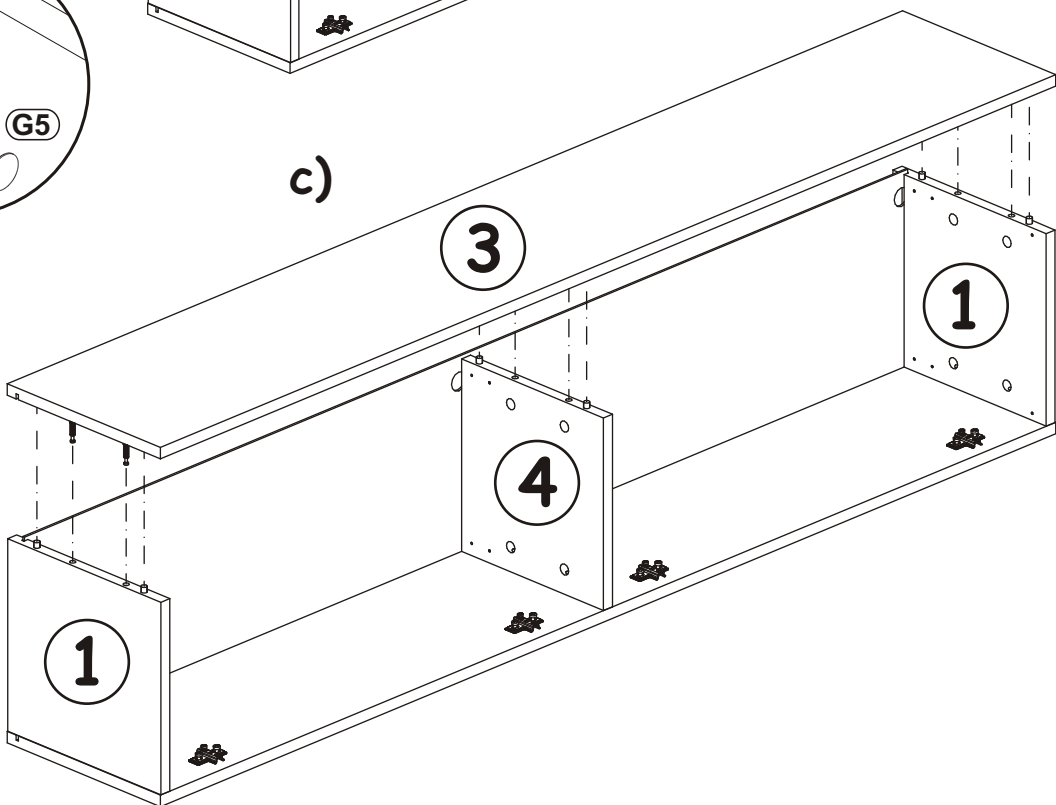
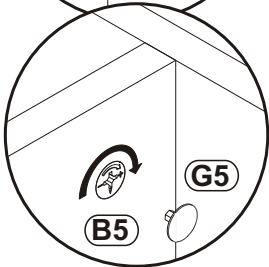
a)



b)



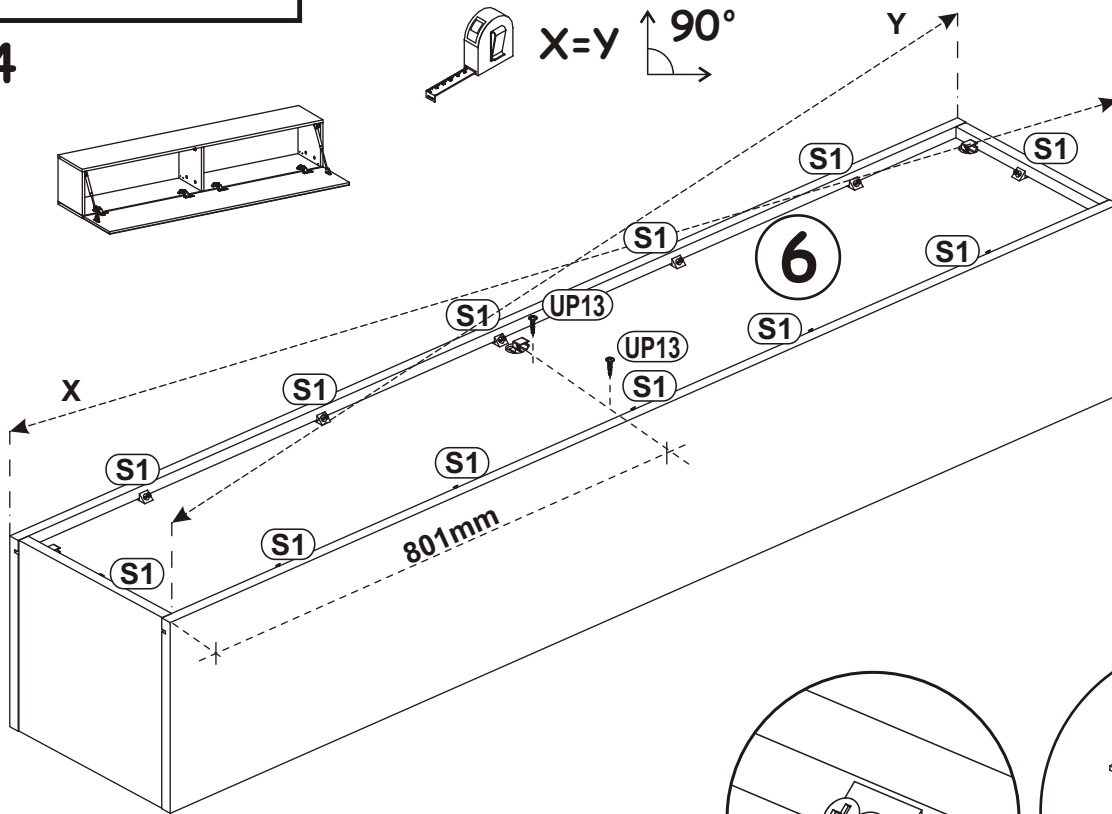
B4



c)

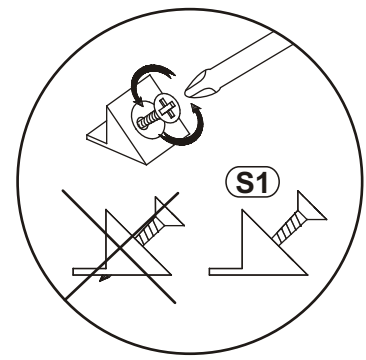
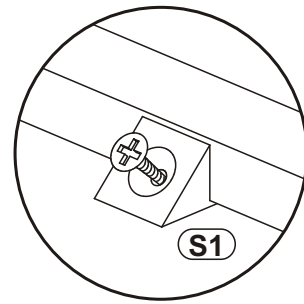
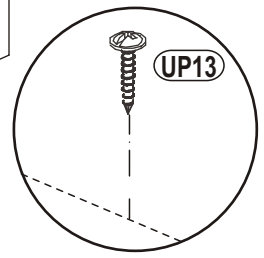
POINT TYP-50

4

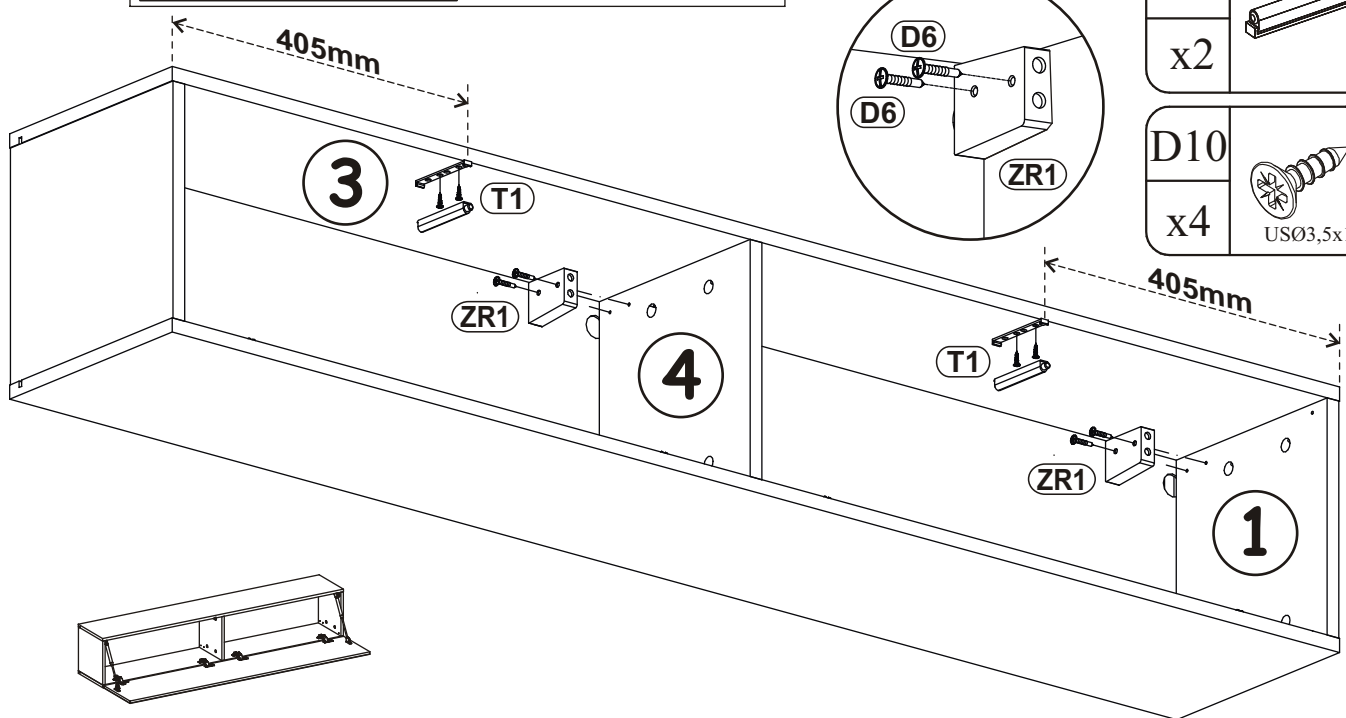
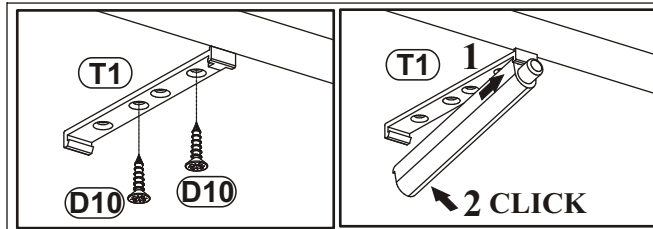


UP13	
x2	UPØ3x16

S1	
x12	



5

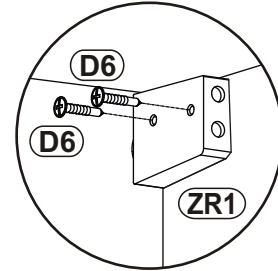


ZR1	
x2	

D6	
x4	USØ3,5x30

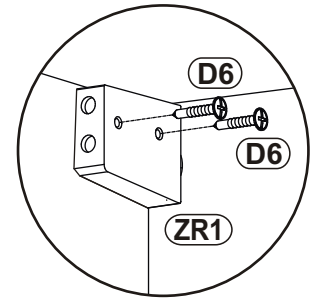
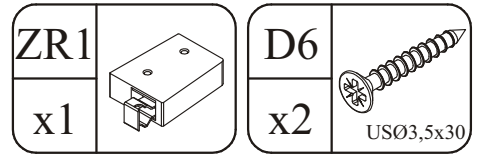
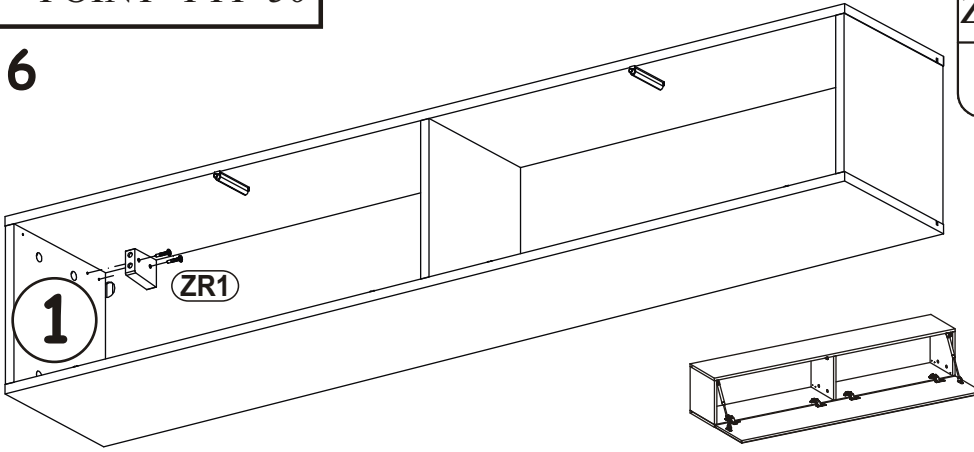
T1	
x2	

D10	
x4	USØ3,5x13

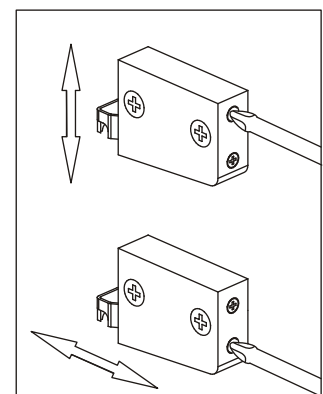
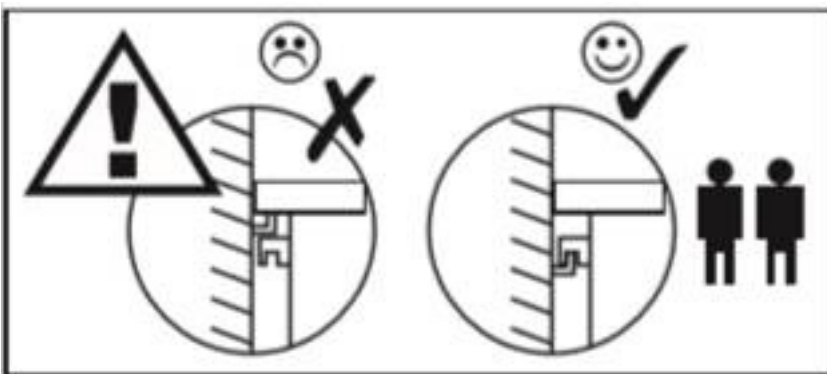
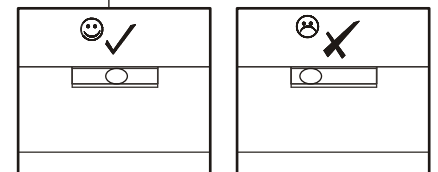
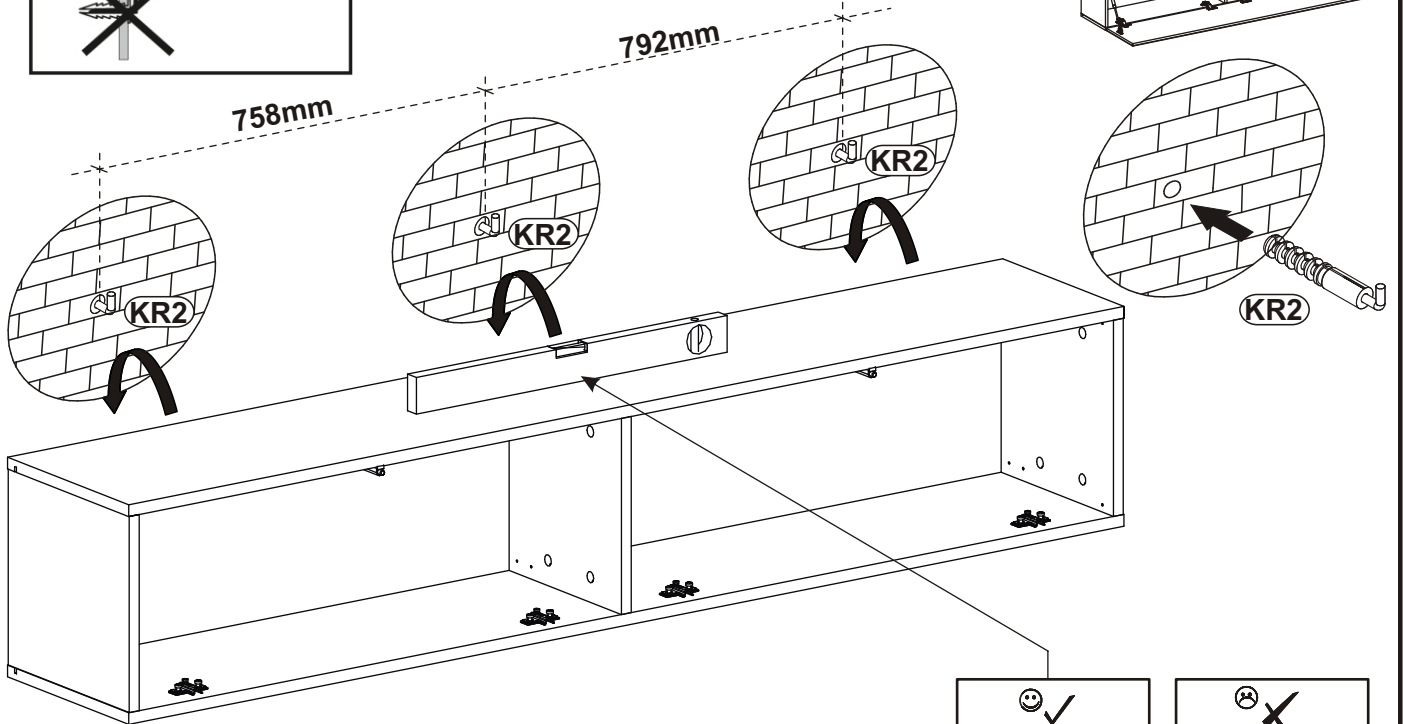
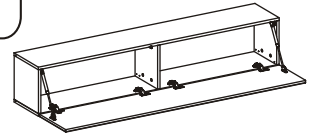
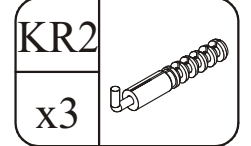
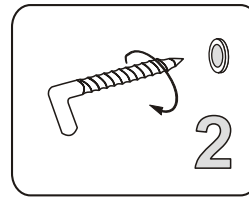
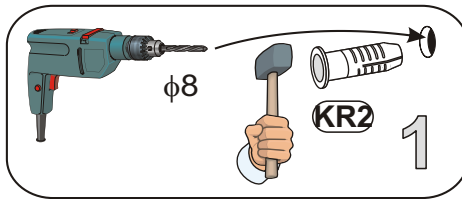
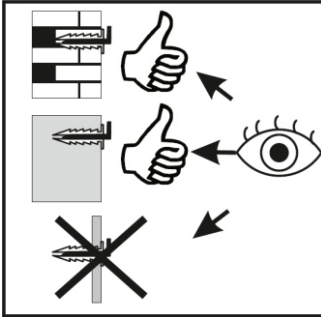


POINT TYP-50

6

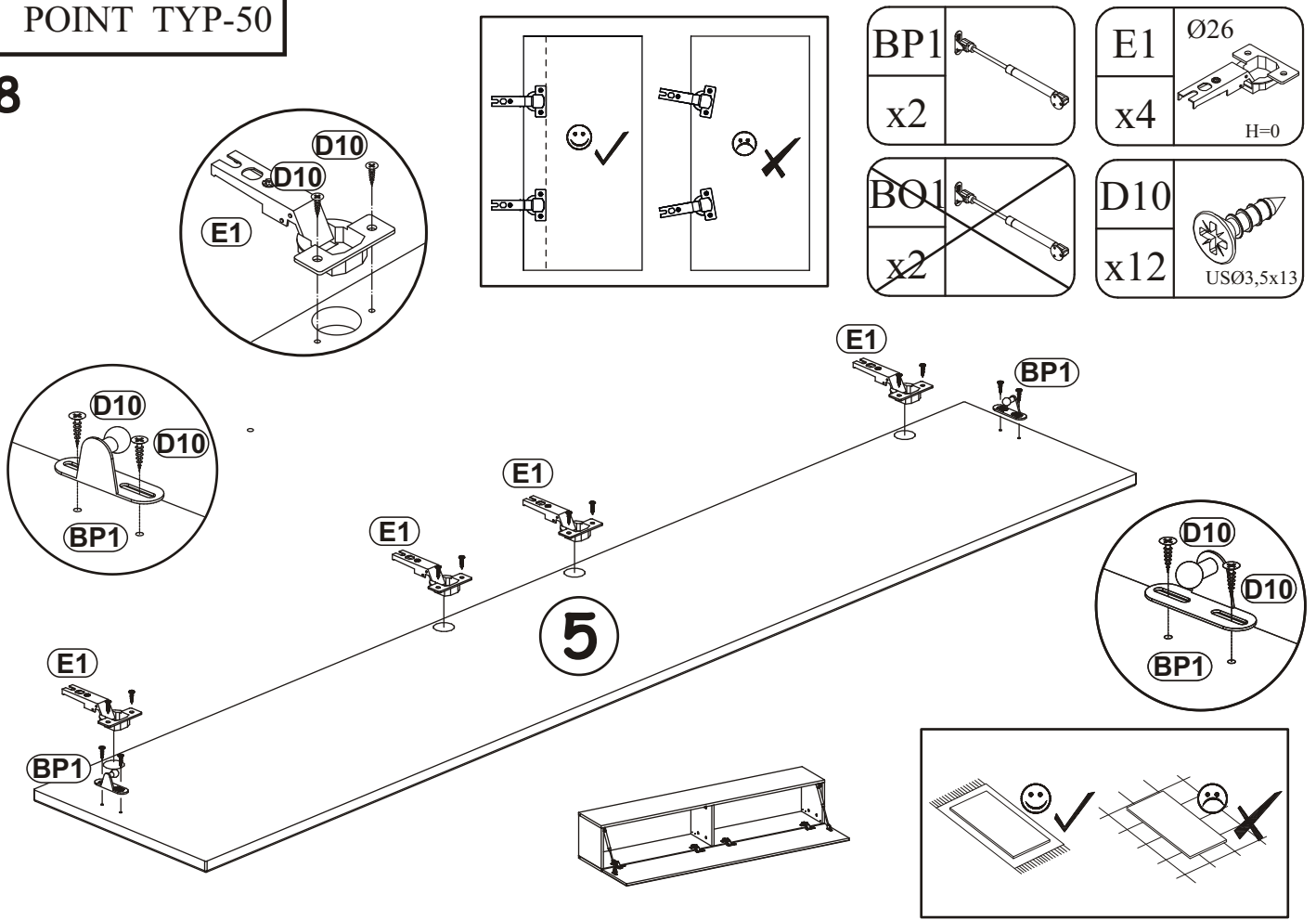


7

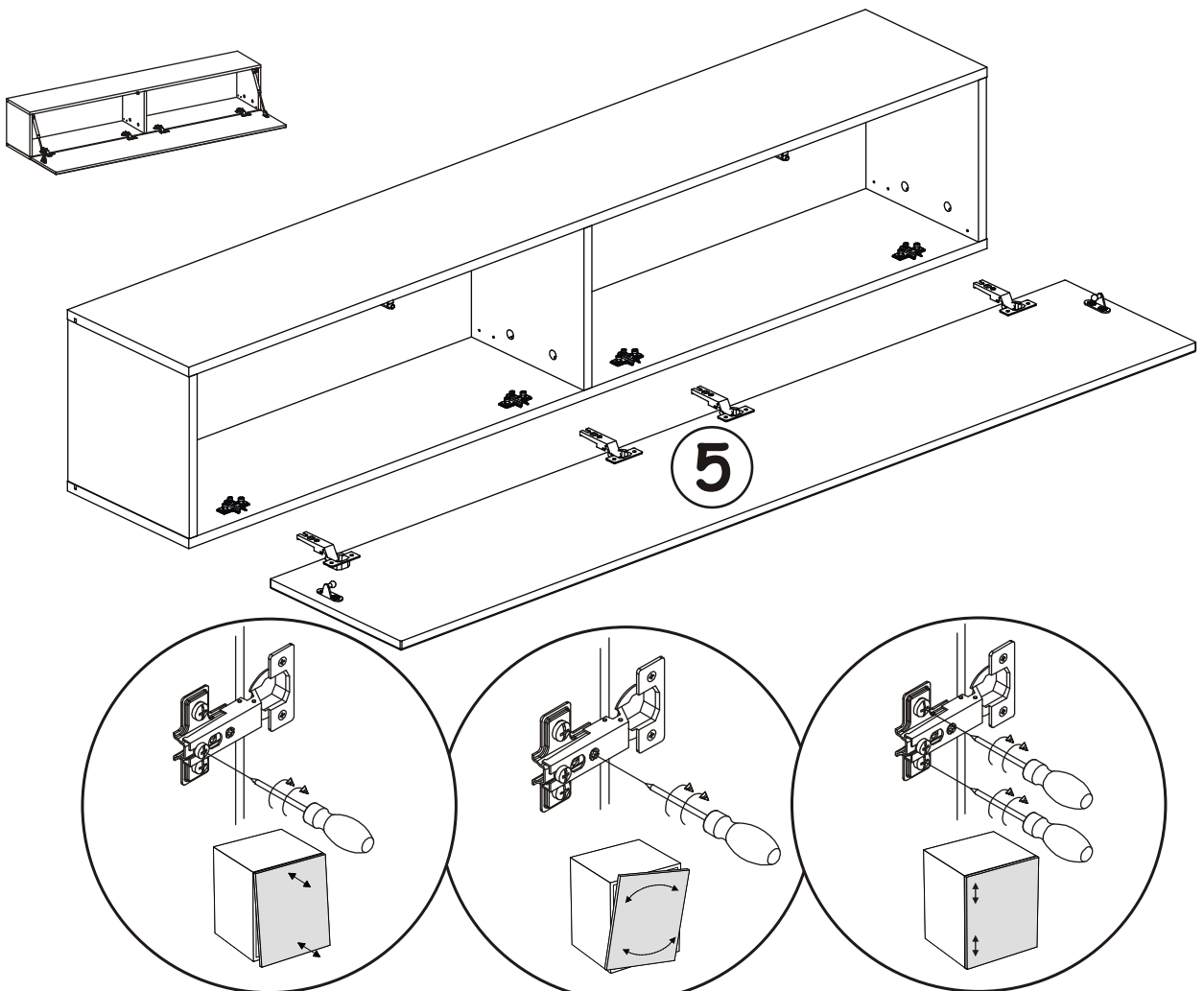


POINT TYP-50

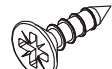
8

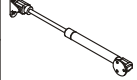


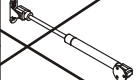
9

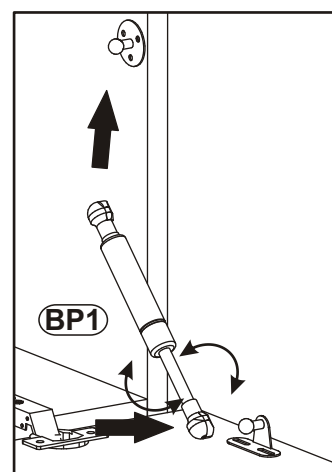
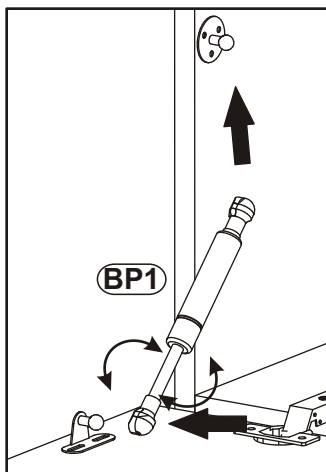
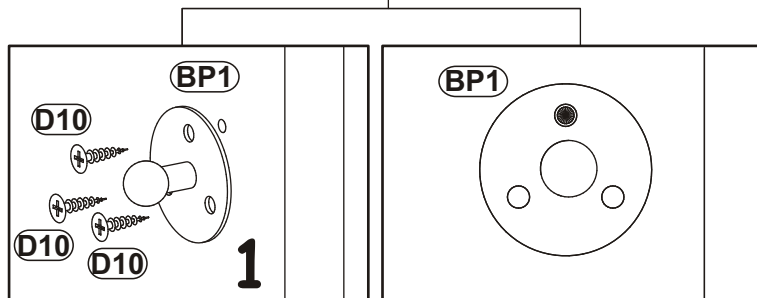
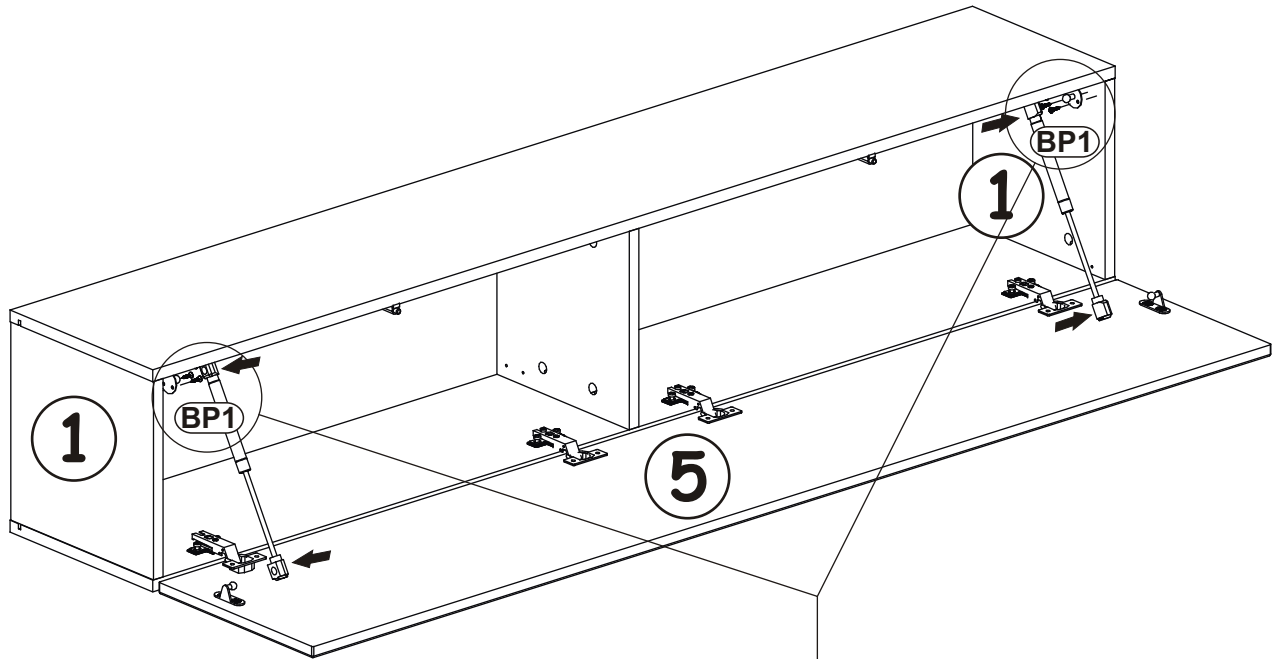
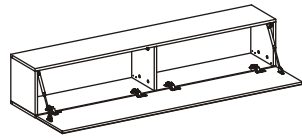


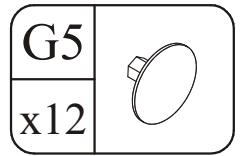
10

D10	
x6	USØ3,5x13

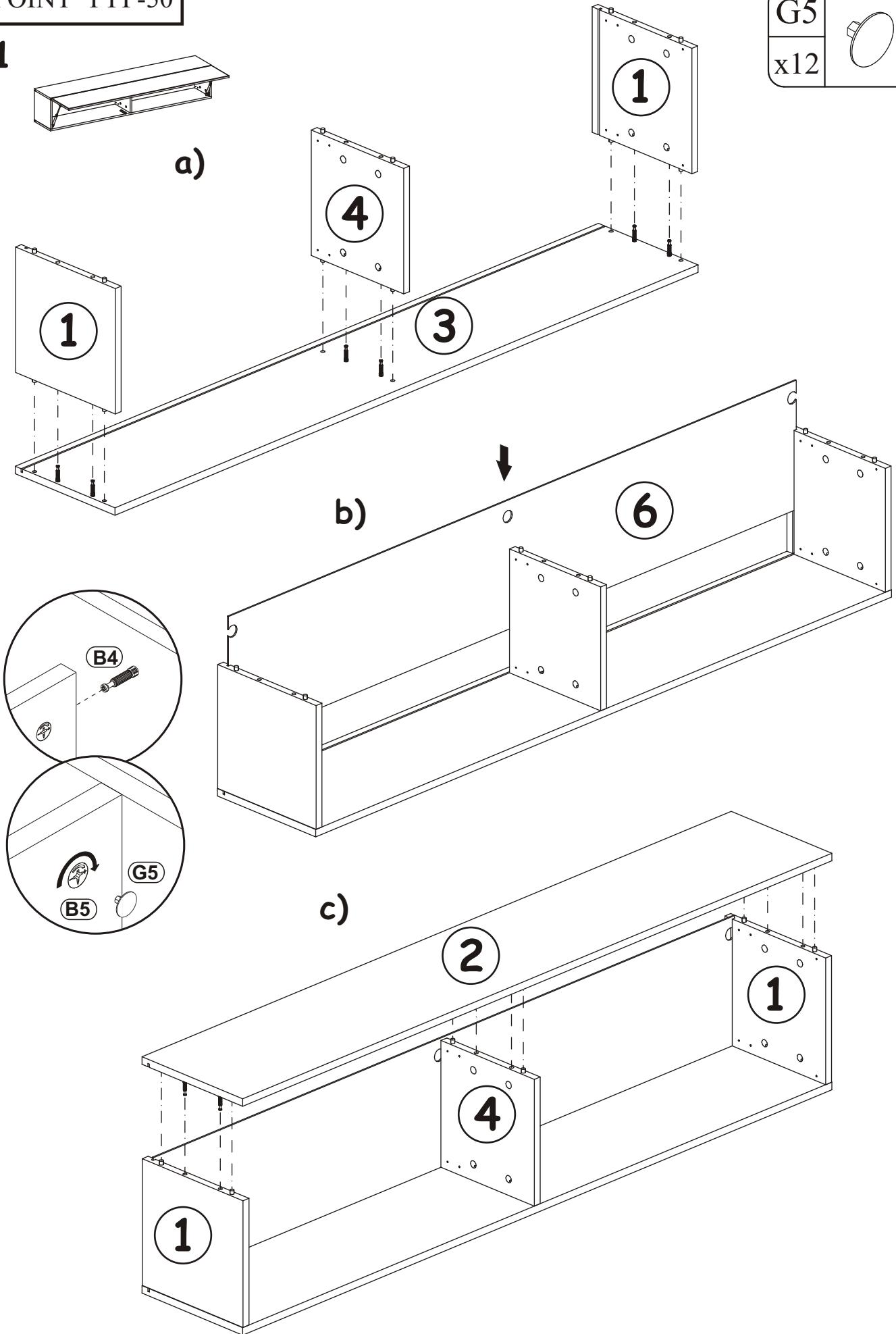
BP1	
x2	

BO1	
x2	



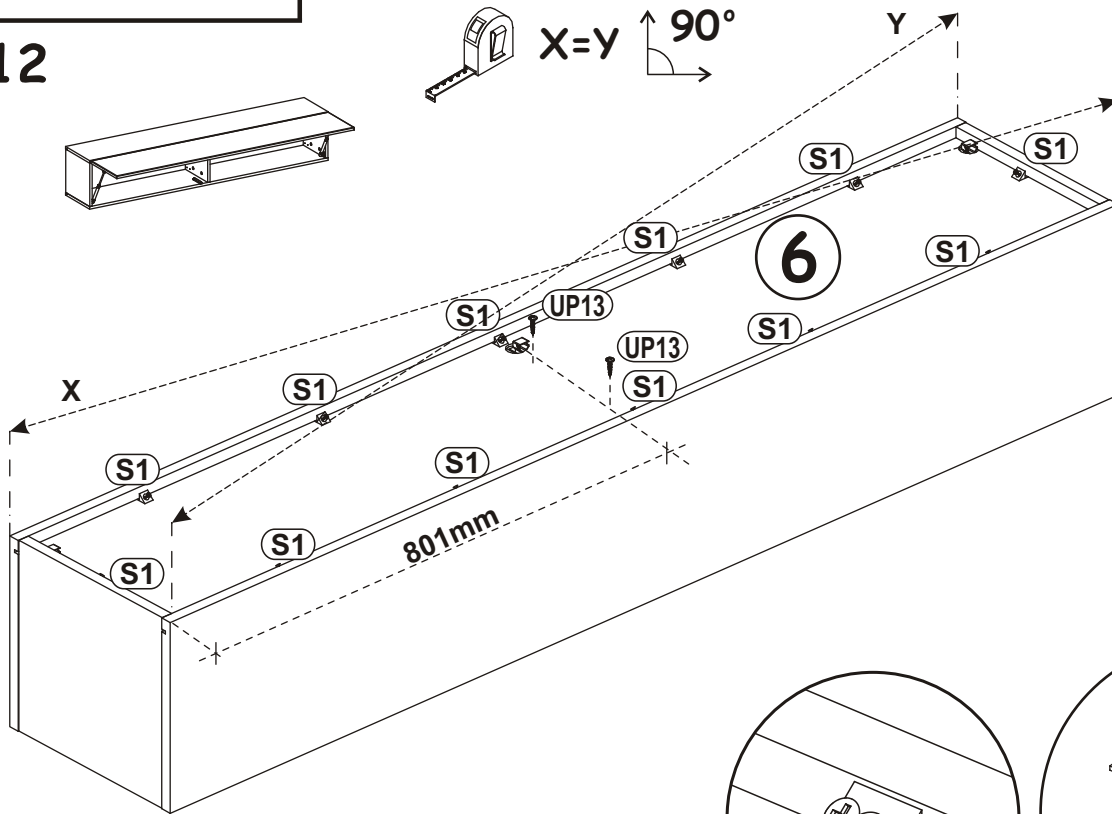


11



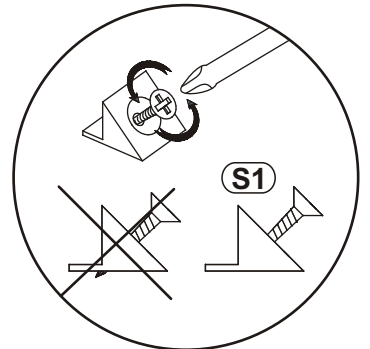
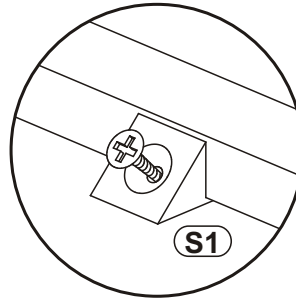
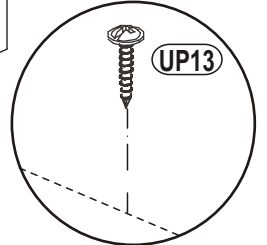
POINT TYP-50

12

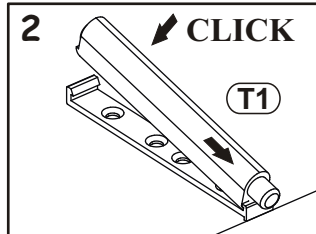
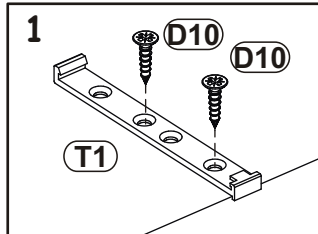


UP13	
x2	UPØ3x16

S1	
x12	



13

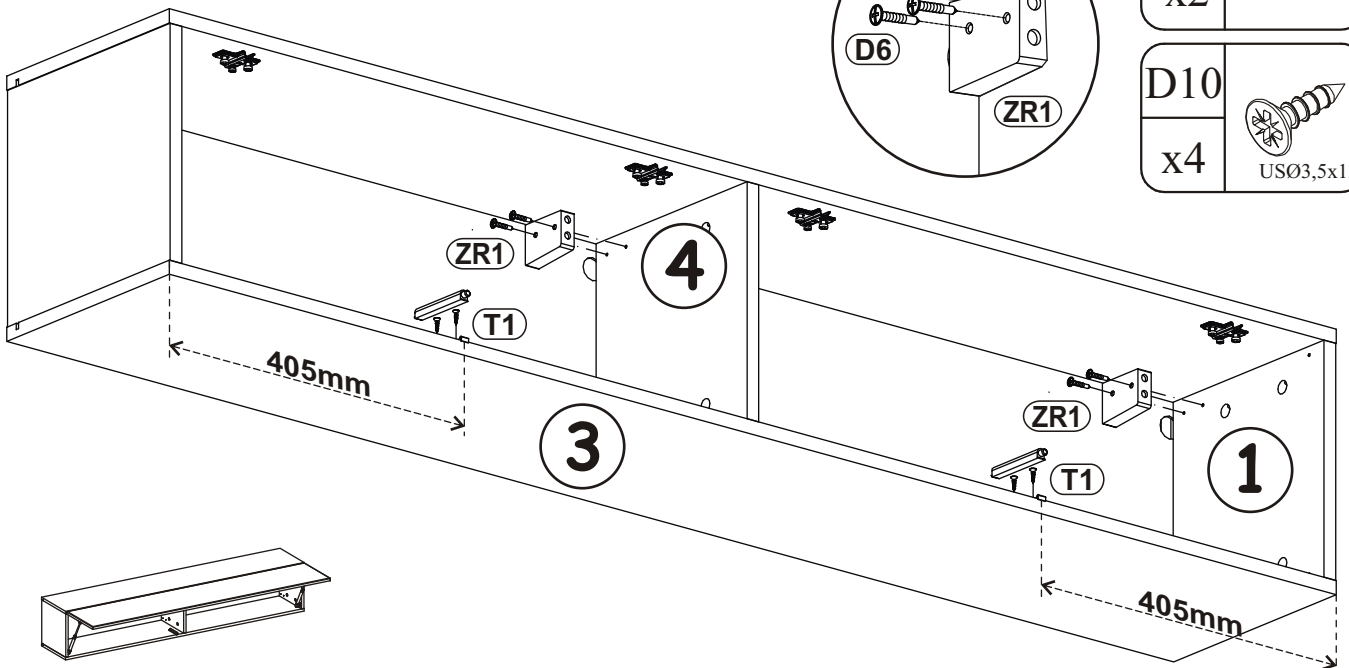
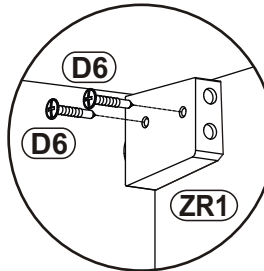


ZR1	
x2	

D6	
x4	USØ3,5x30

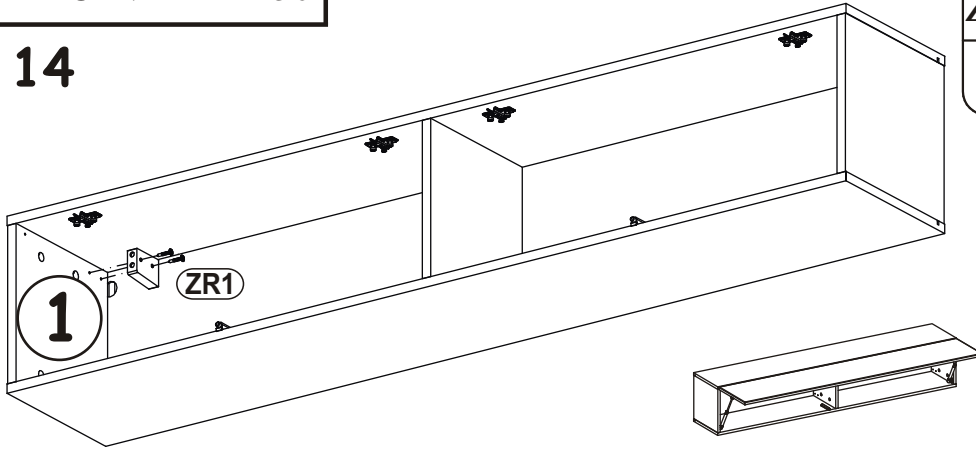
T1	
x2	

D10	
x4	USØ3,5x13

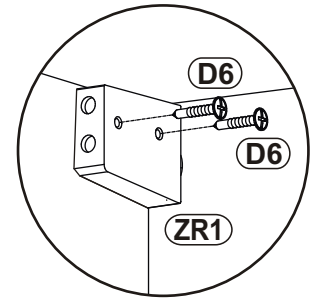


POINT TYP-50

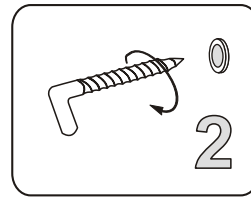
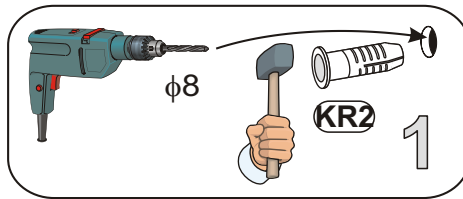
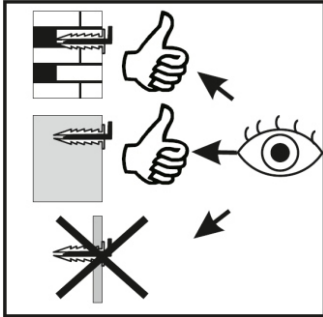
14



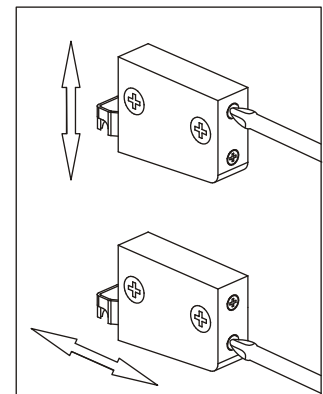
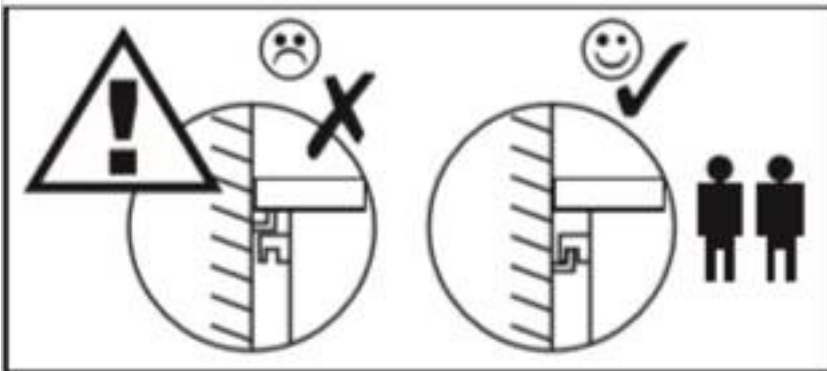
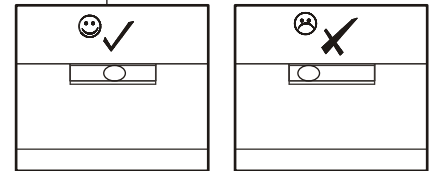
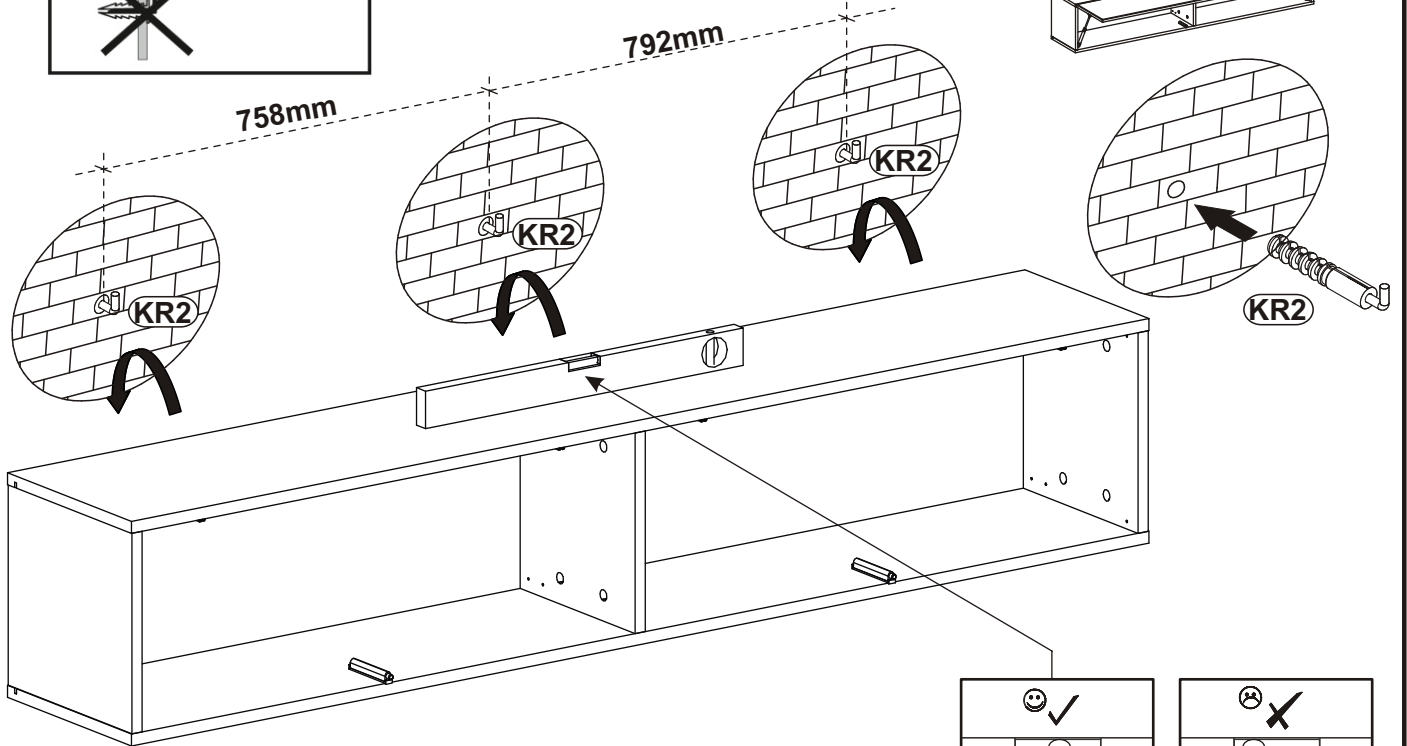
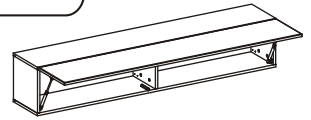
ZR1		D6	
x1		x2	USØ3,5x30



15

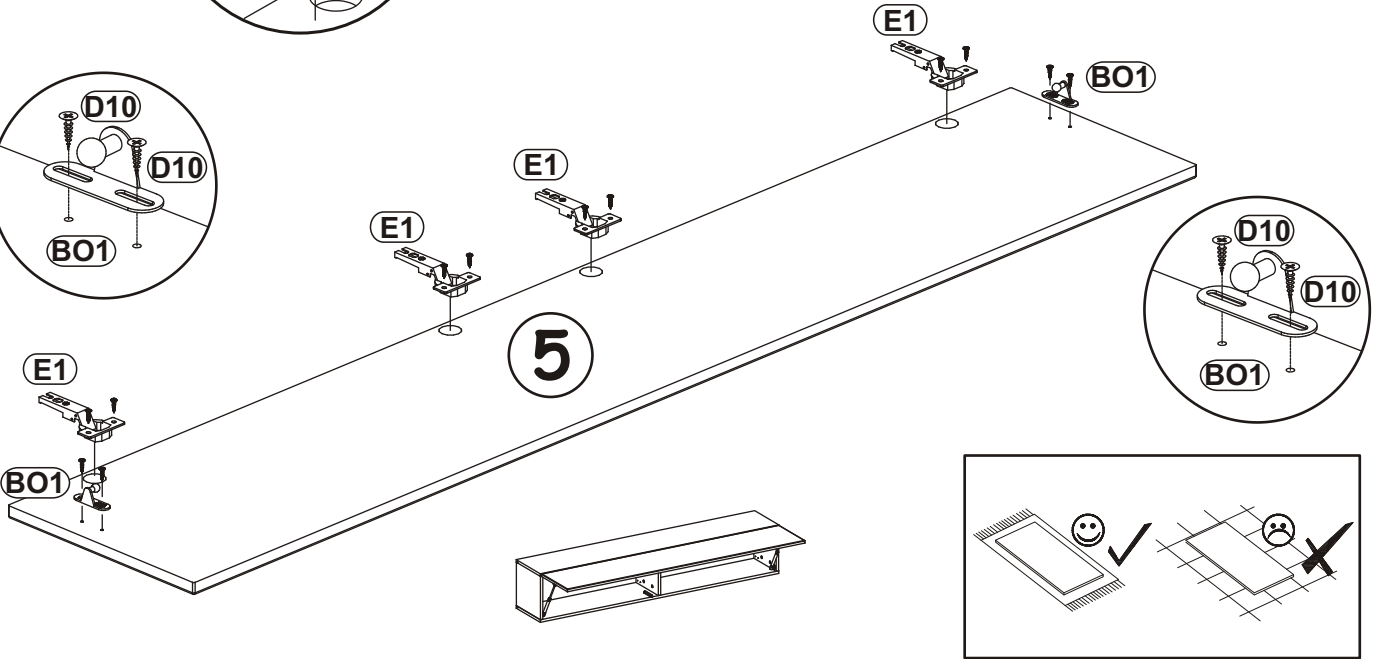
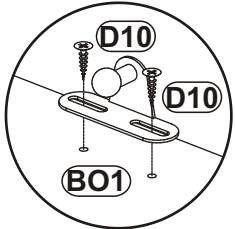
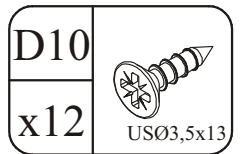
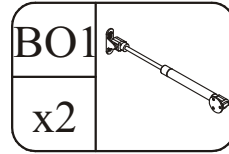
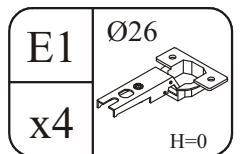
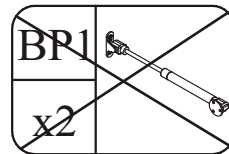
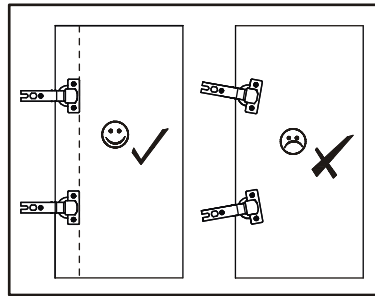
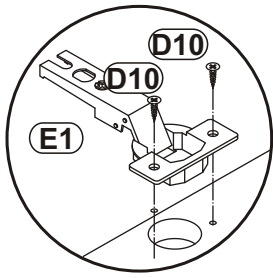


KR2	
x3	

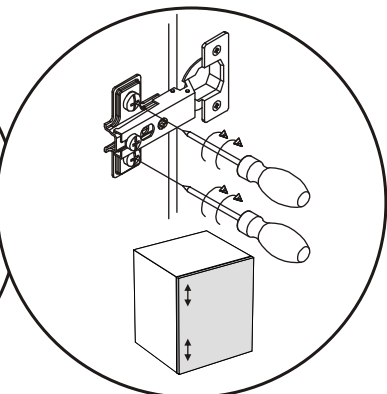
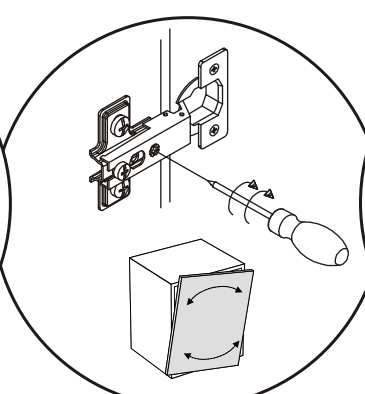
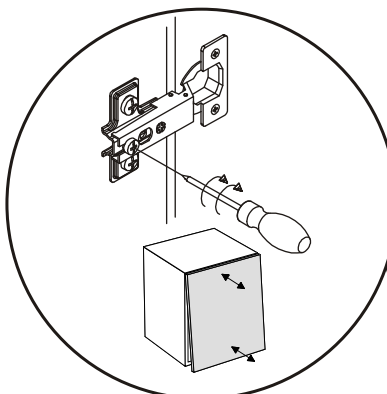
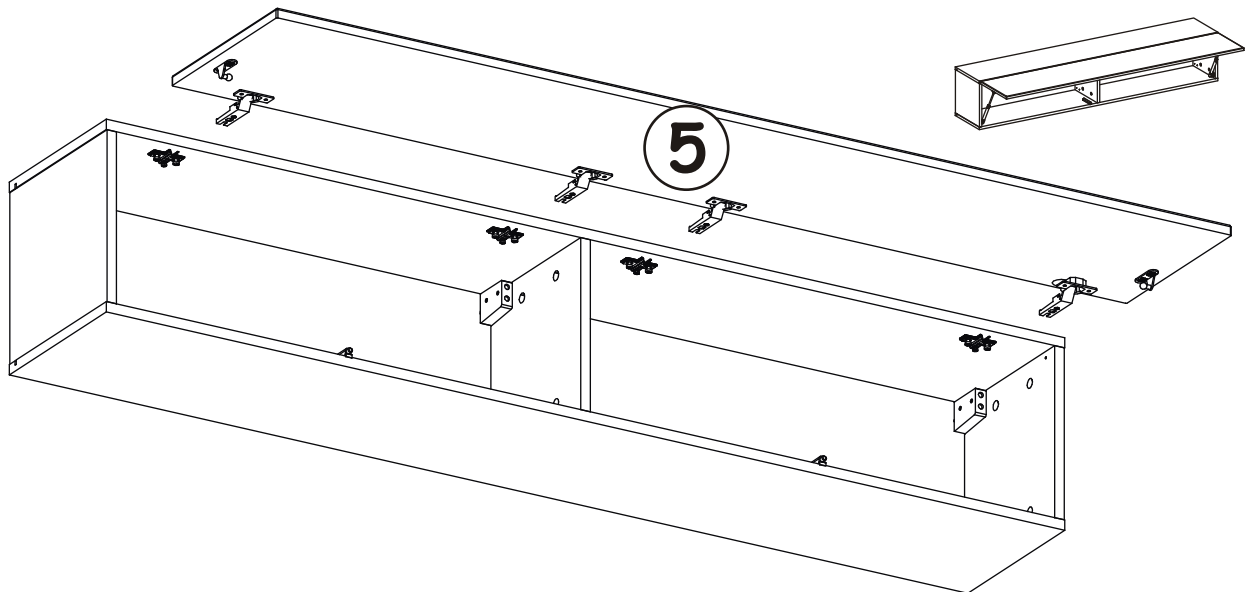


POINT TYP-50

16



17



18

