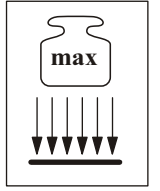
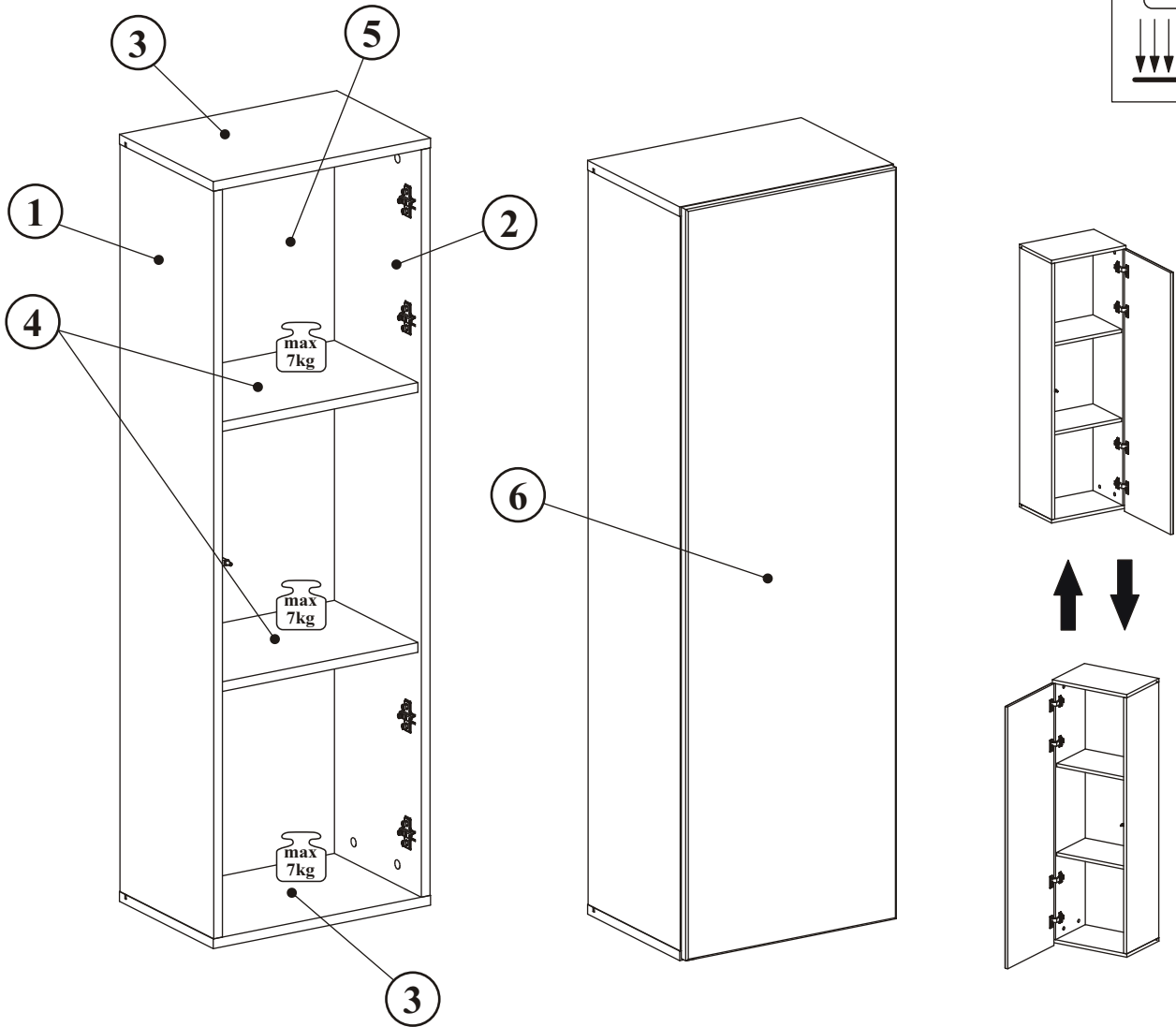
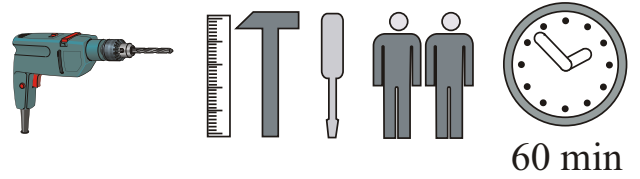


# POINT TYP-20

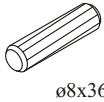
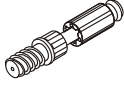
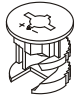

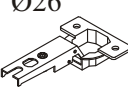
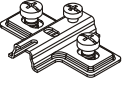
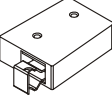
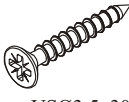
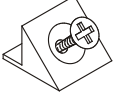

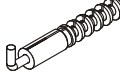
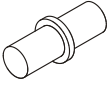





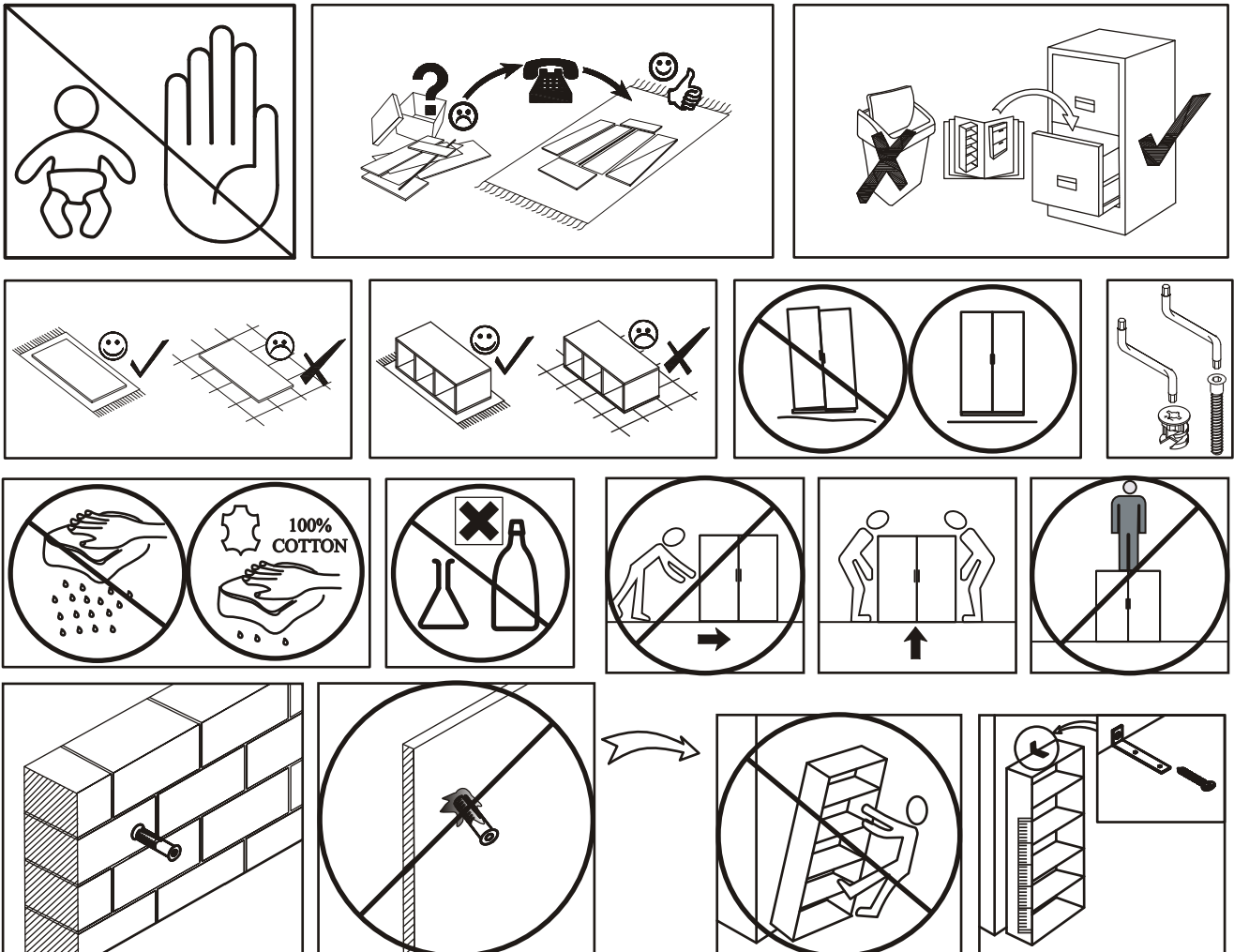
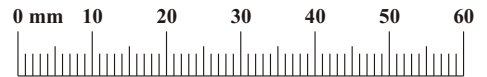
NO	Dim.		Col.-No	Qty
1	1228	274	1	1
2	1228	274	1	1
3	400	274	1	2
4	366	244	1	2
5	1240	378	1	1
6	1256	394	1	1



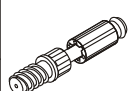
60 min

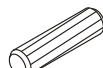
# POINT TYP-20

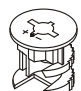
A1 x8  ø8x36	B4 x8 	B5 x8  ø15x12	G5 x8 	E1 x4  Ø26 H=0	E2 x4  H=0
ZR1 x2 	D6 x4  USØ3,5x30	S1 x10 	D10 x10  USØ3,5x13	KR2 x2 	G7 x8 
Z2 x8  Ø5	T1 x1 	G2 x1 			

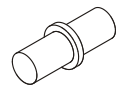


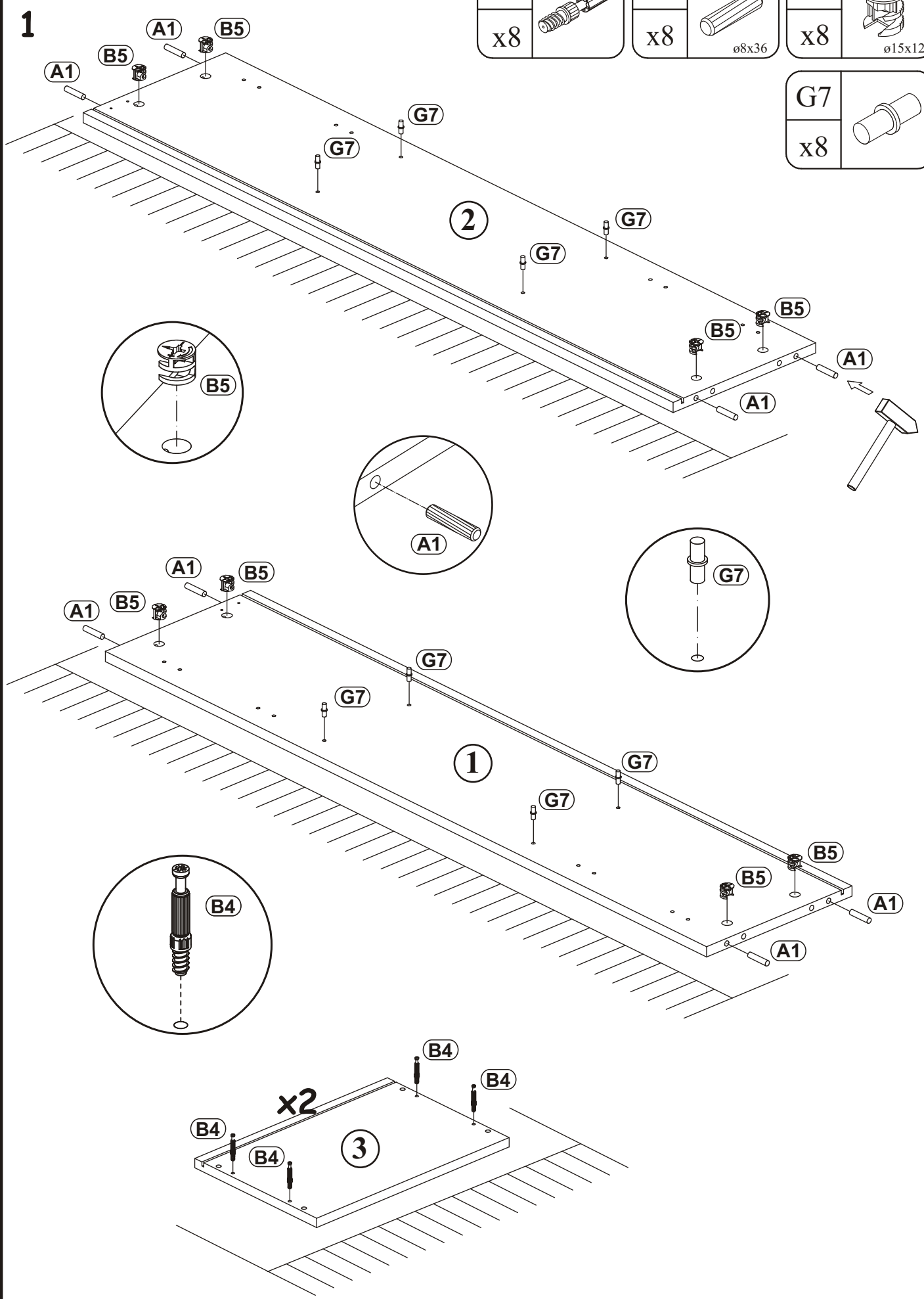
# POINT TYP-20

B4	
x8	

A1	
x8	ø8x36

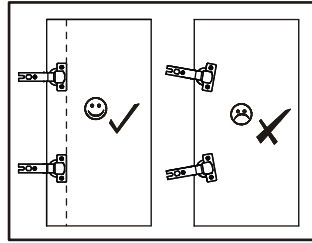
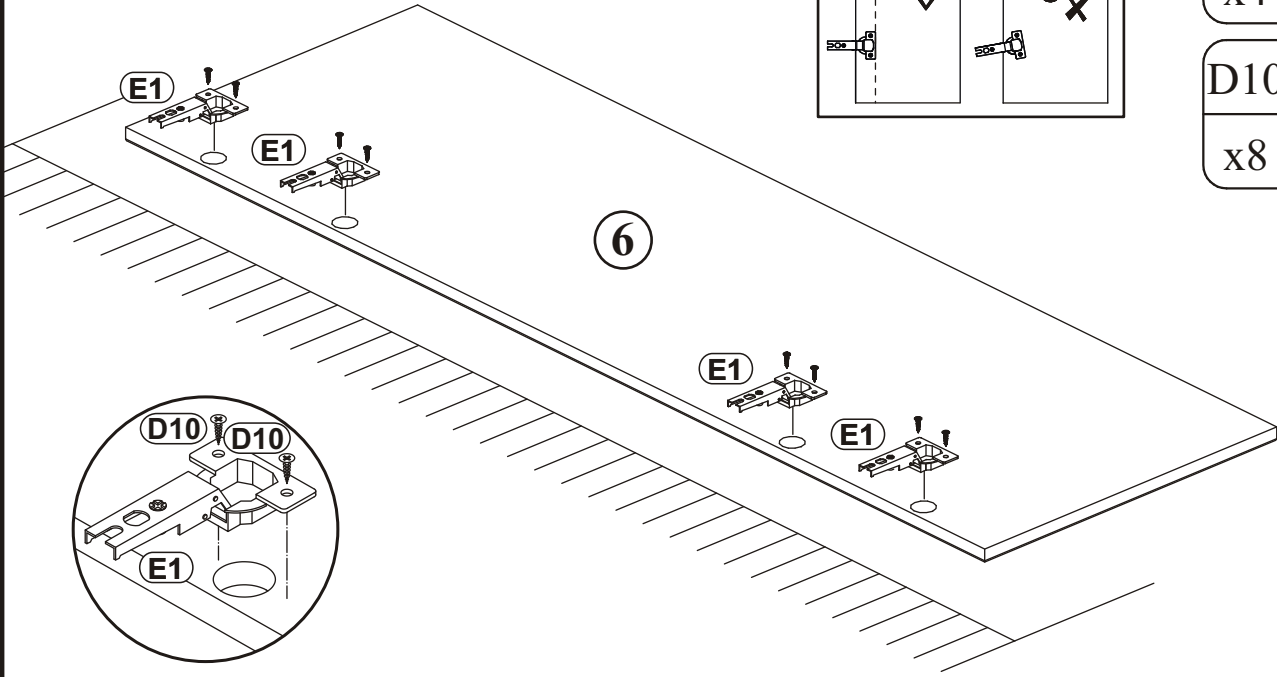
B5	
x8	ø15x12

G7	
x8	




POINT TYP-20

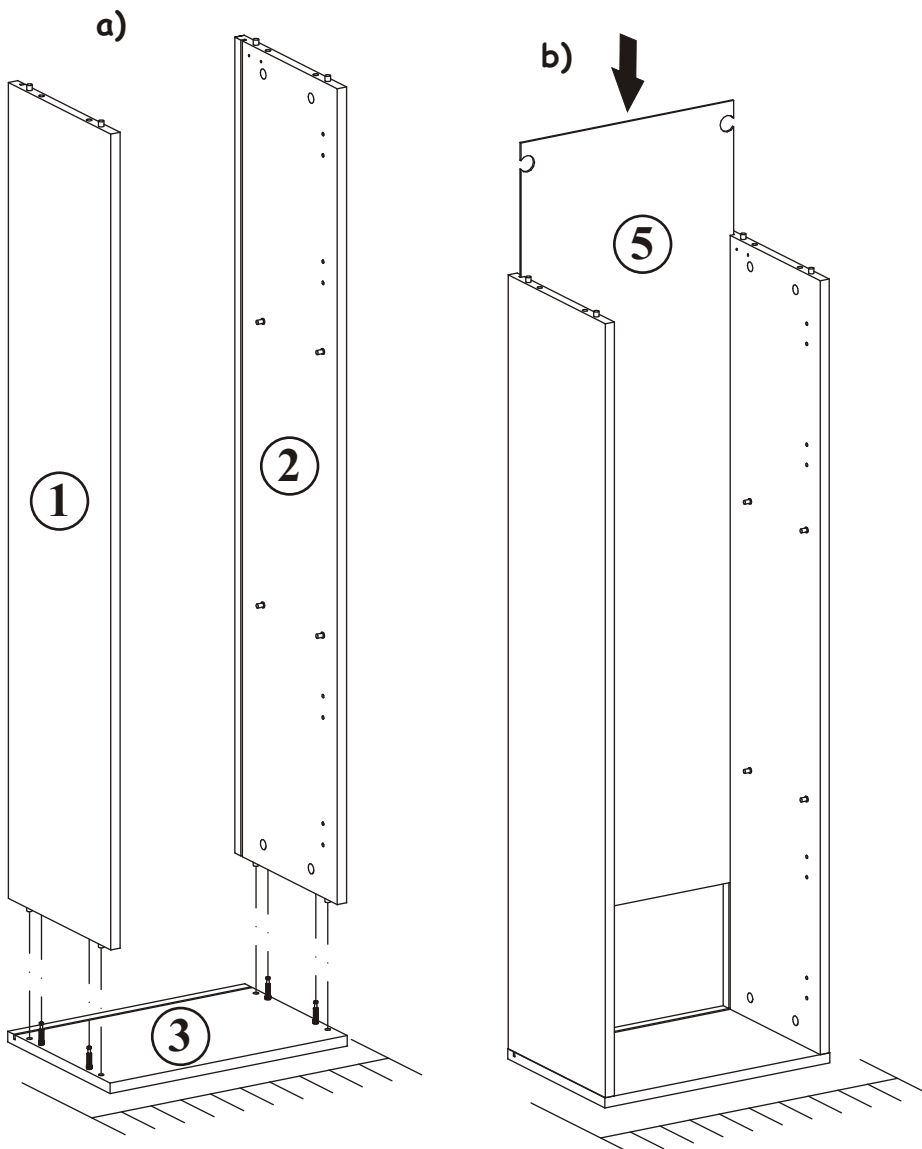
2




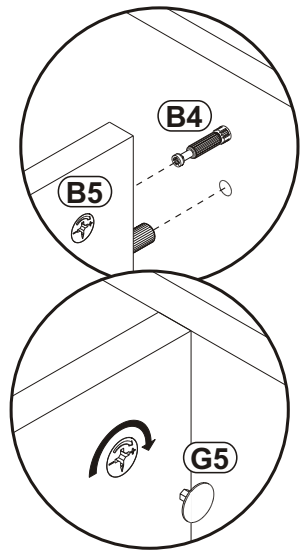
E1	Ø26
x4	H=0

D10	
x8	USØ3,5x13

3

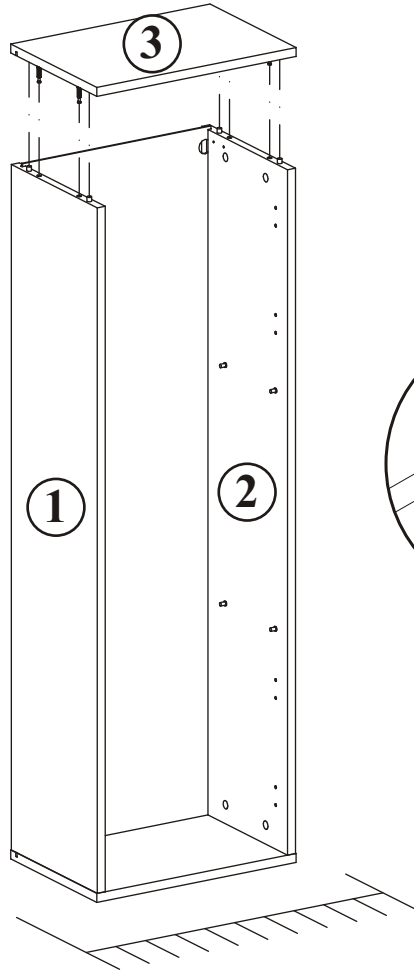



G5	
x4	

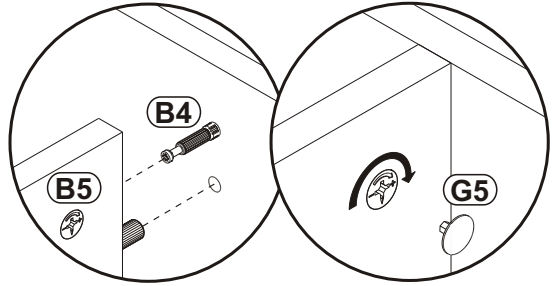


POINT TYP-20

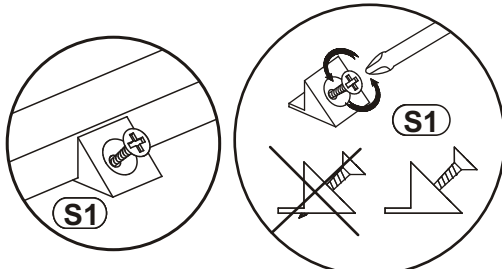
4

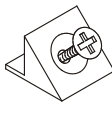


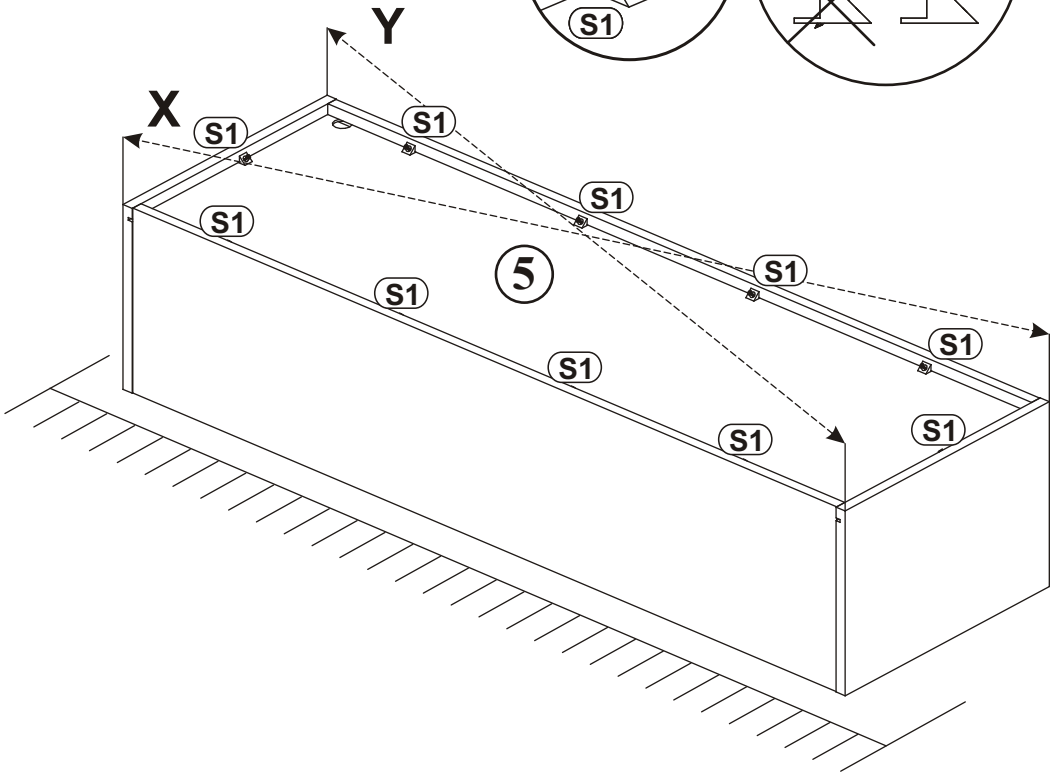
G5	
x4	



5

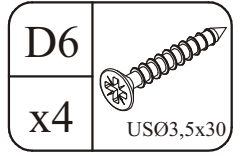
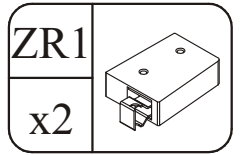
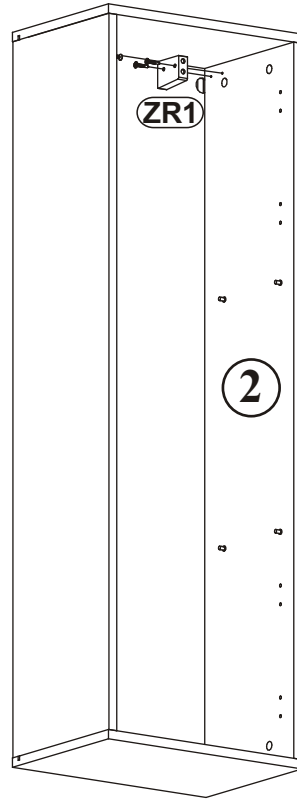
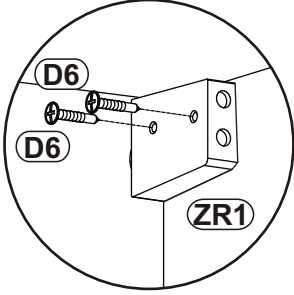
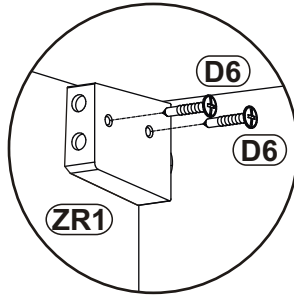
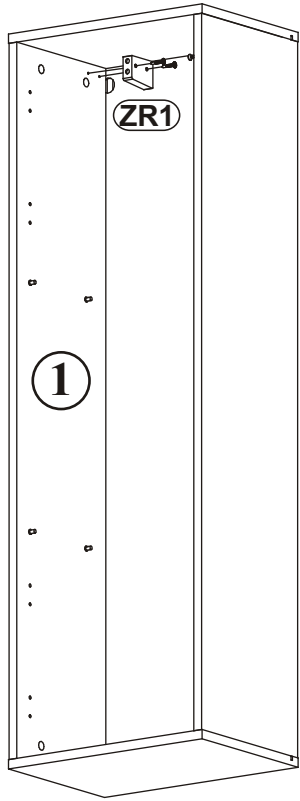


S1	
x10	

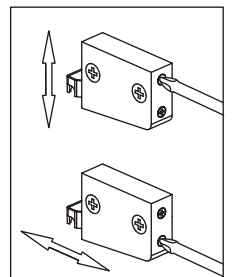
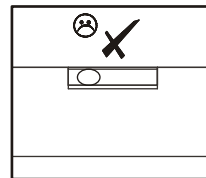
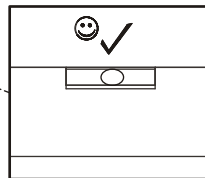
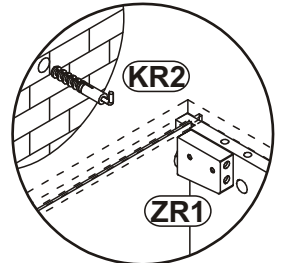
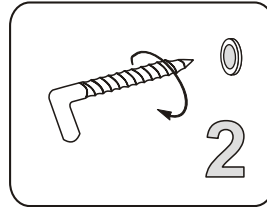
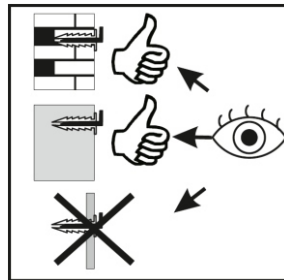
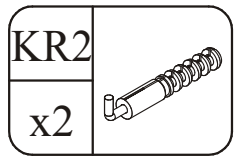
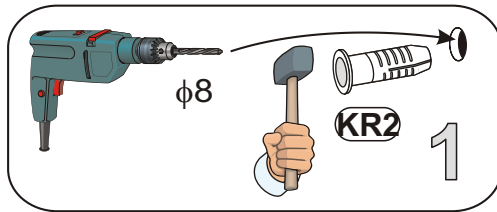
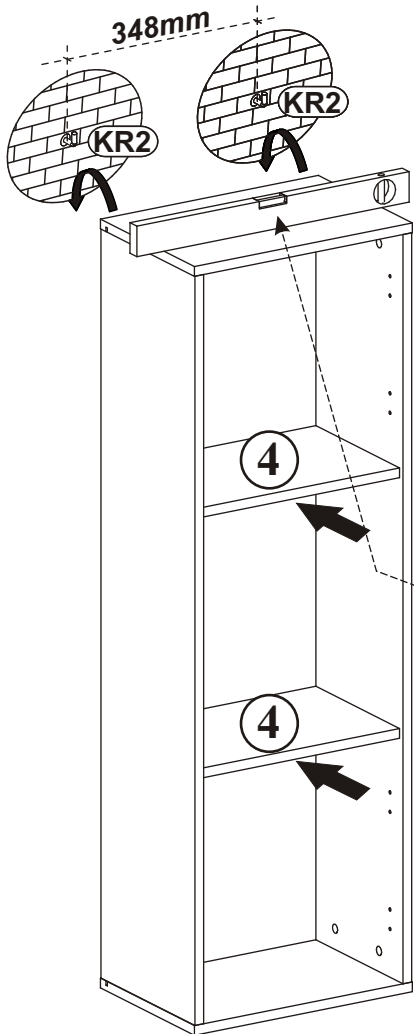


POINT TYP-20

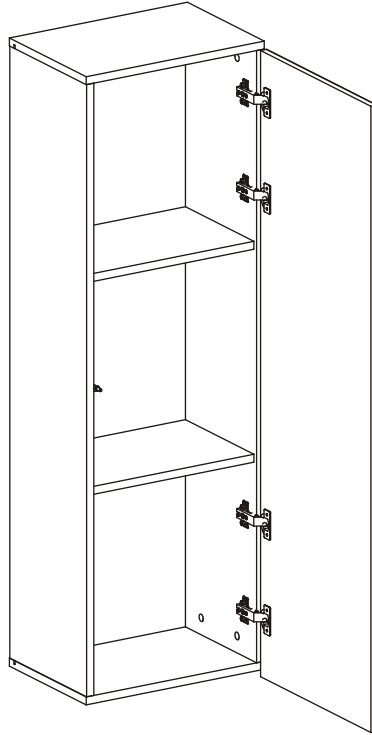
6



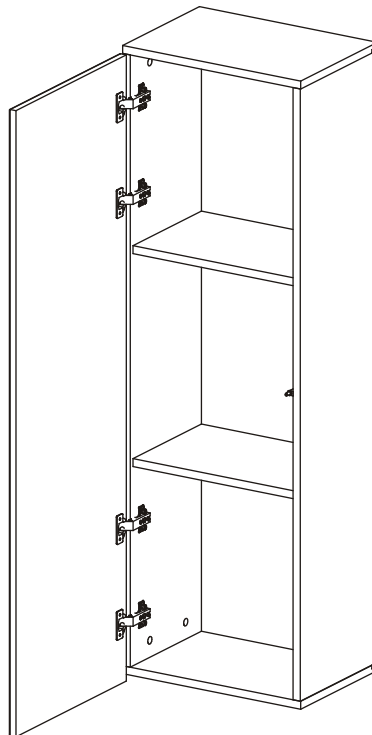
7



8 - 9

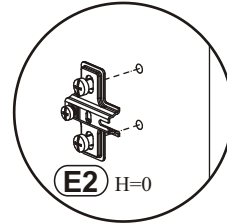
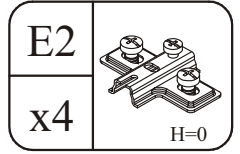
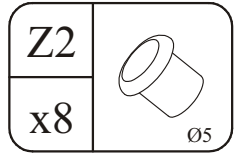
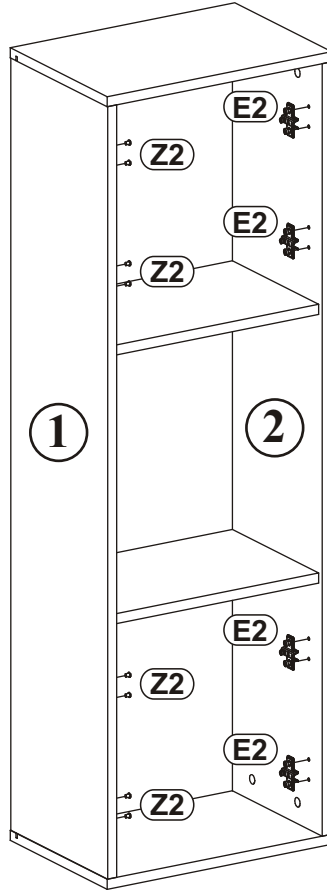
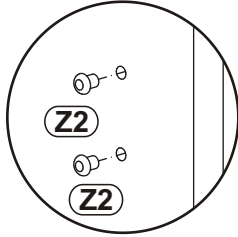
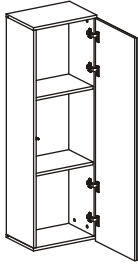


10 - 11

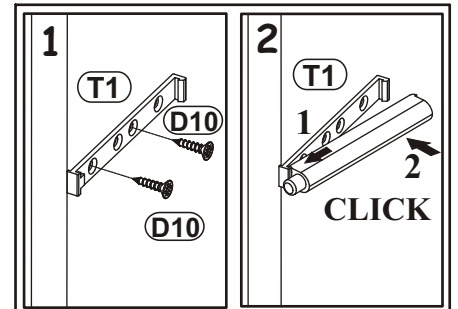
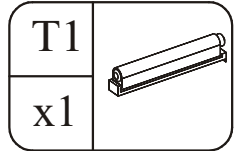
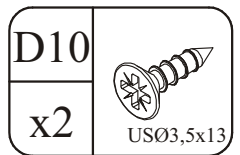
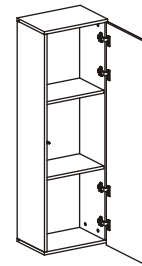
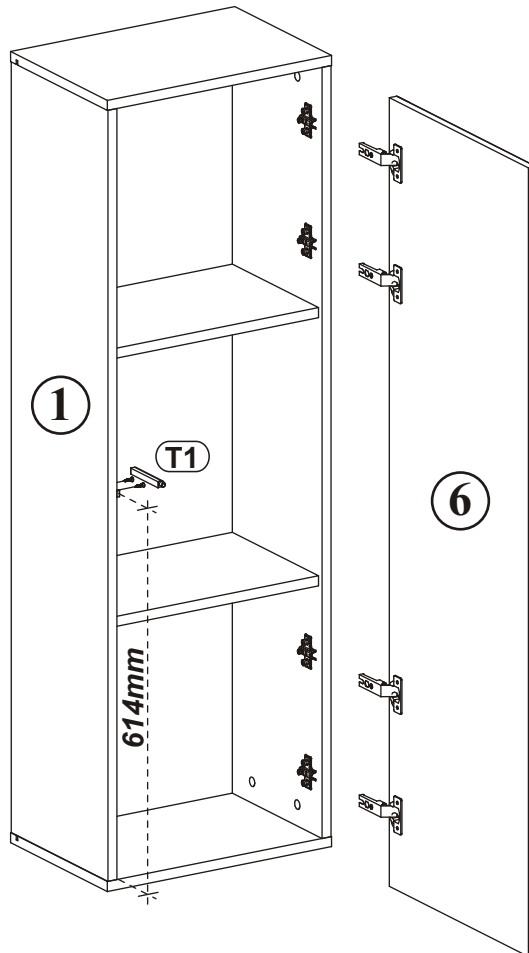
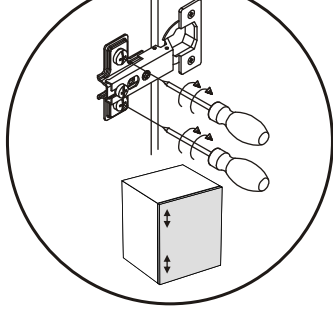
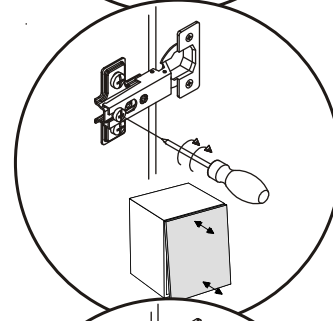
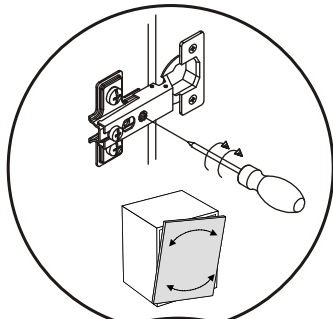


POINT TYP-20

8



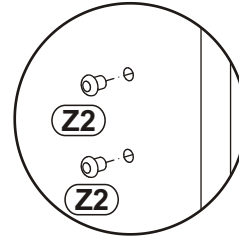
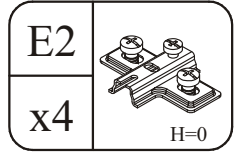
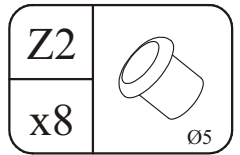
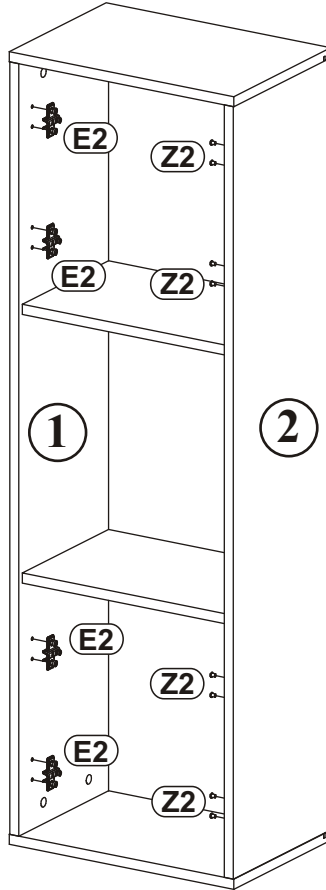
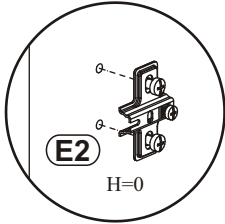
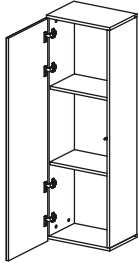
9



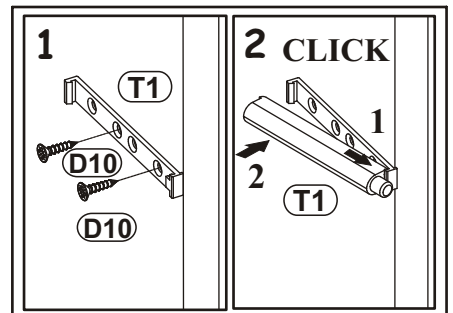
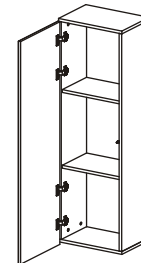
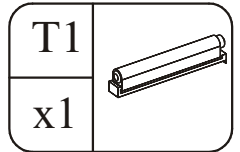
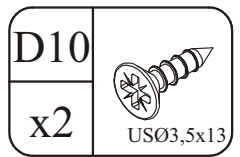
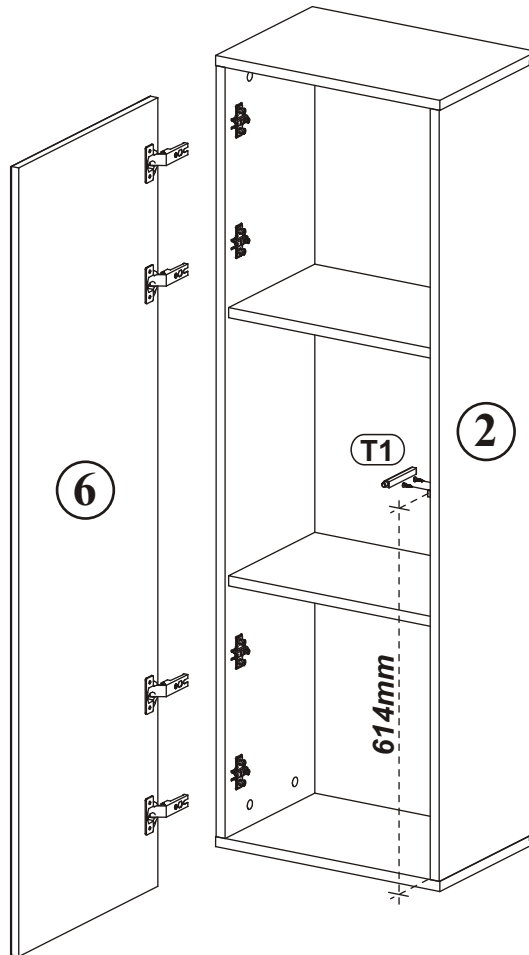
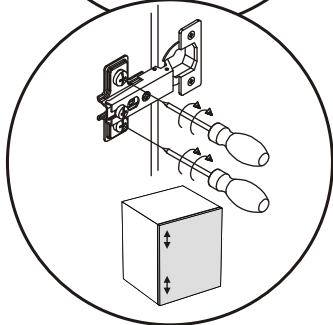
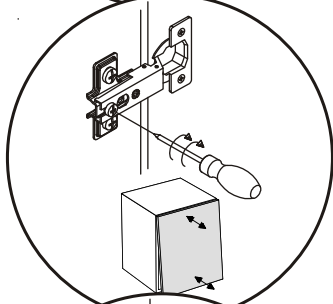
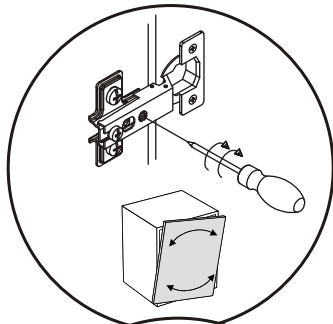


POINT TYP-20

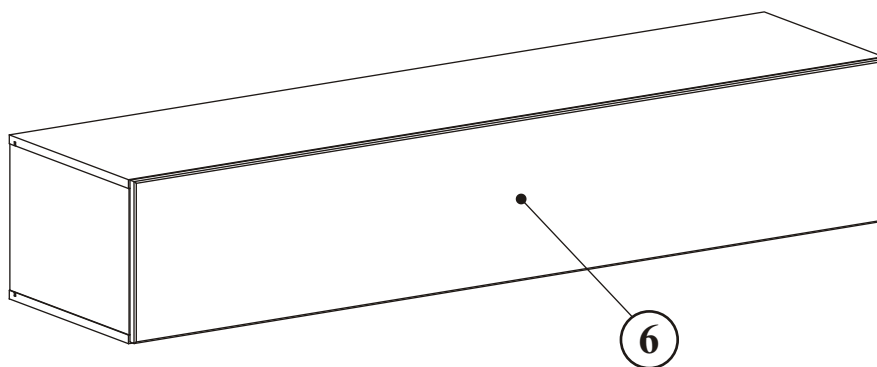
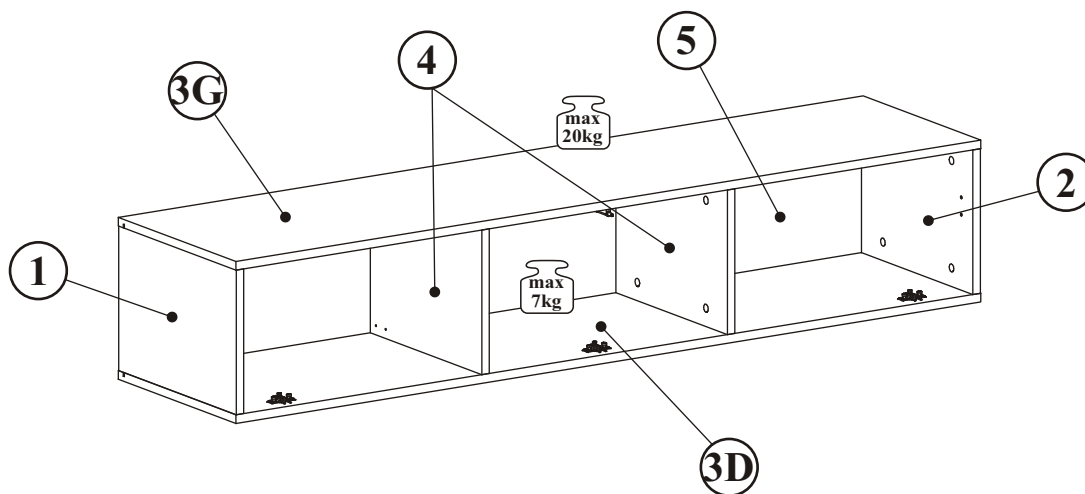
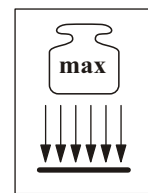
10



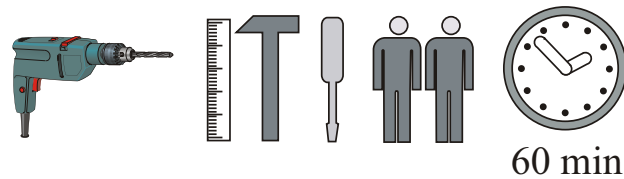
11



# POINT TYP-30

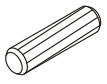
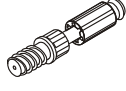




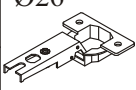
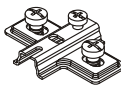
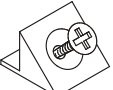
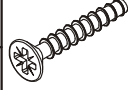
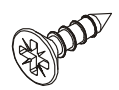

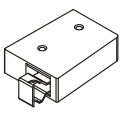
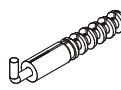



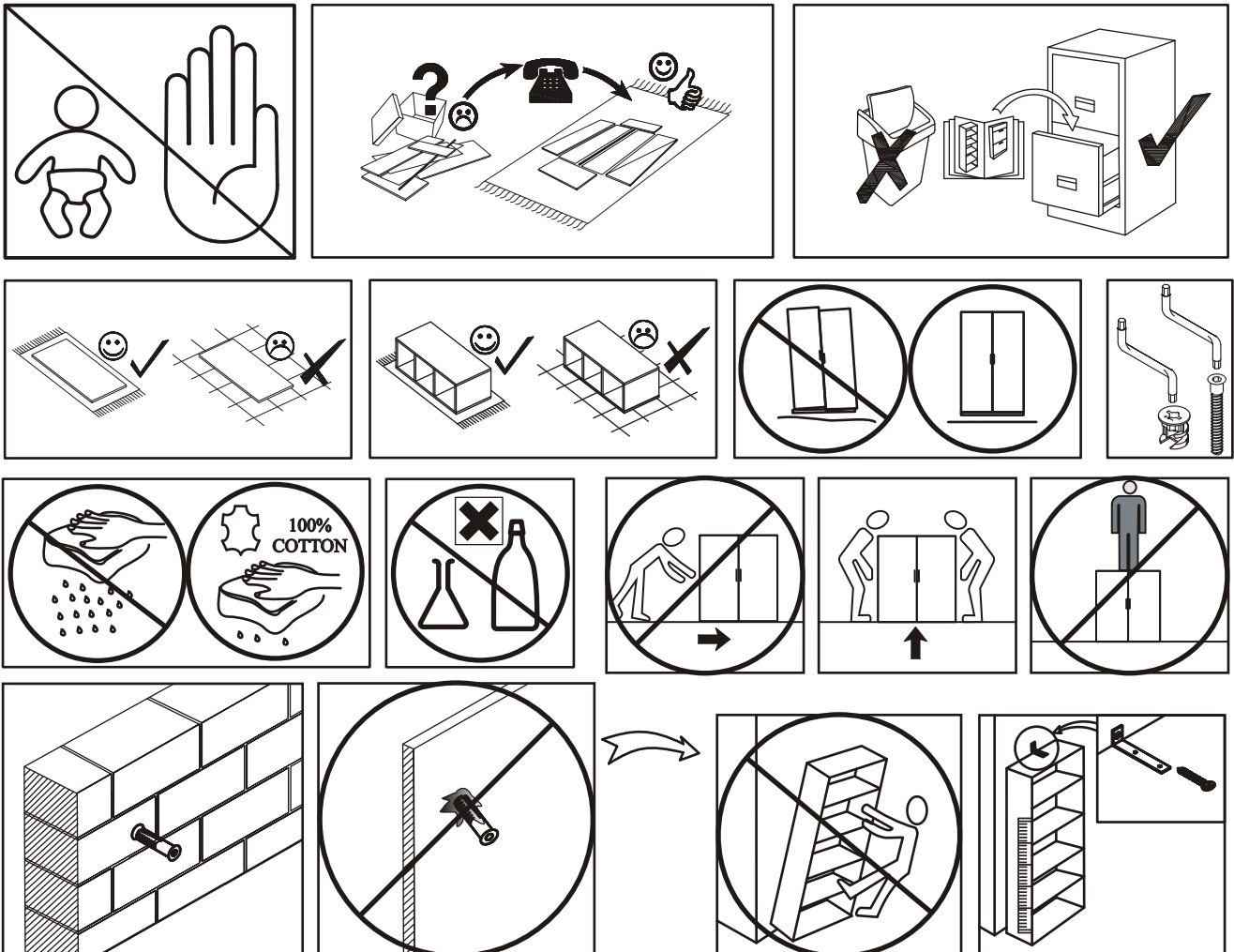
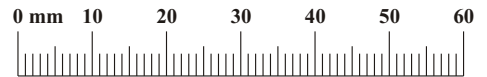
NO	Dim.		Col.-No	Qty
1	268	384	1	1
2	268	384	1	1
3 D/G	1602	384	1	2
4	268	364	1	2
5	1580	280	1	1
6	1596	296	1	1



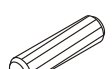

60 min

# POINT TYP-30

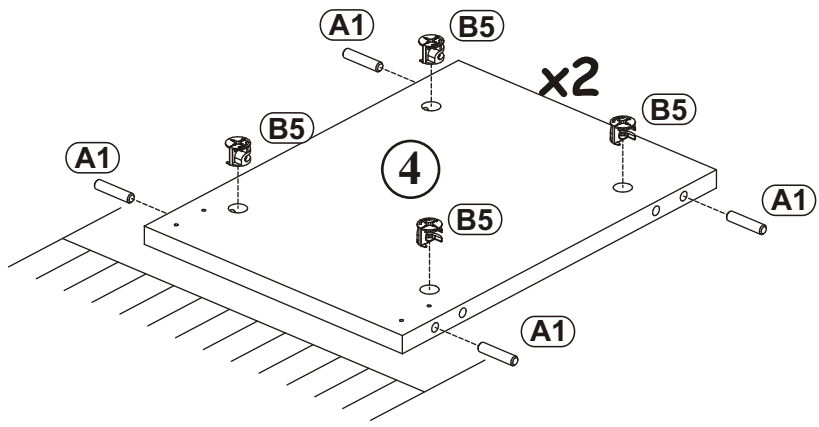
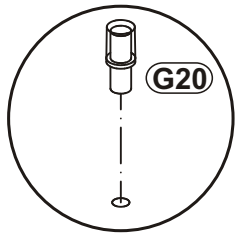
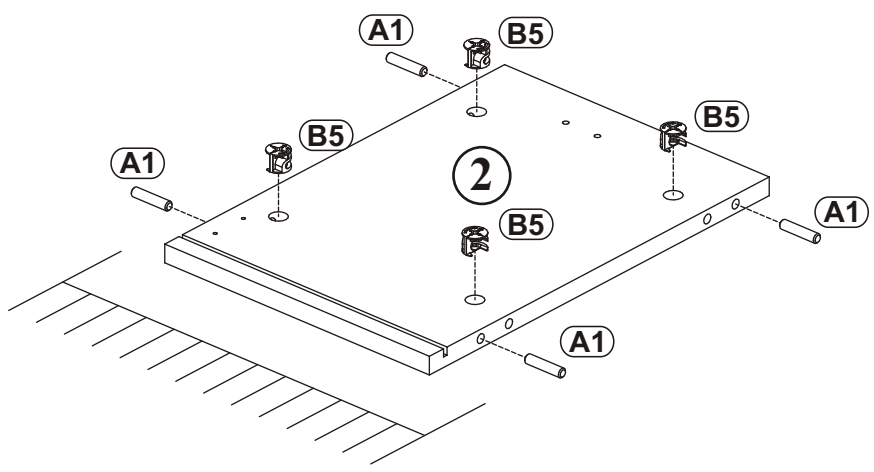
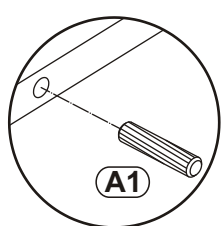
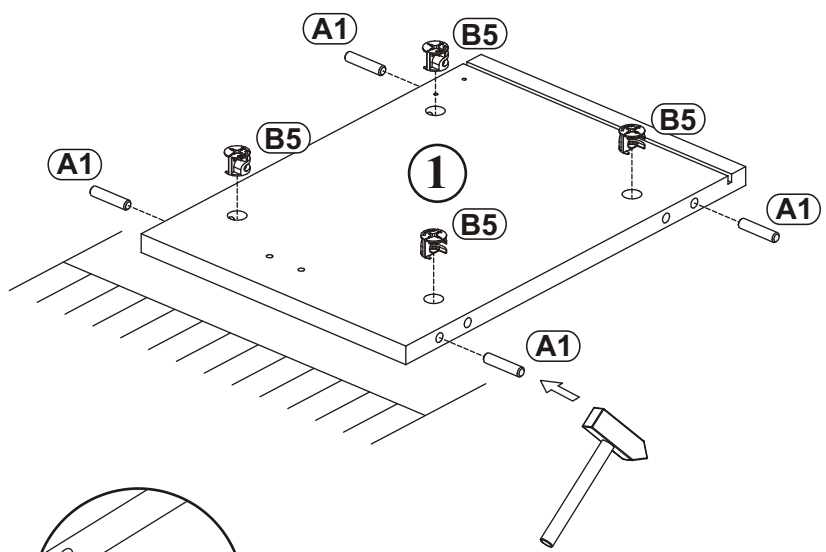
A1 x16  ø8x36	B4 x16 	B5 x16  ø15x12	G5 x16 	D7 x6  USØ3x16	G2 x1 
E1 x3  H=0	E2 x3  H=0	S1 x12 	D6 x8  USØ3,5x30	D10 x12  USØ3,5x13	G21 x2 
ZR1 x4 	KR2 x4 	T1 x1 			



POINT TYP-30

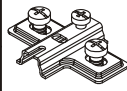
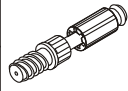
A1		B5	
x16	ø8x36	x16	ø15x12

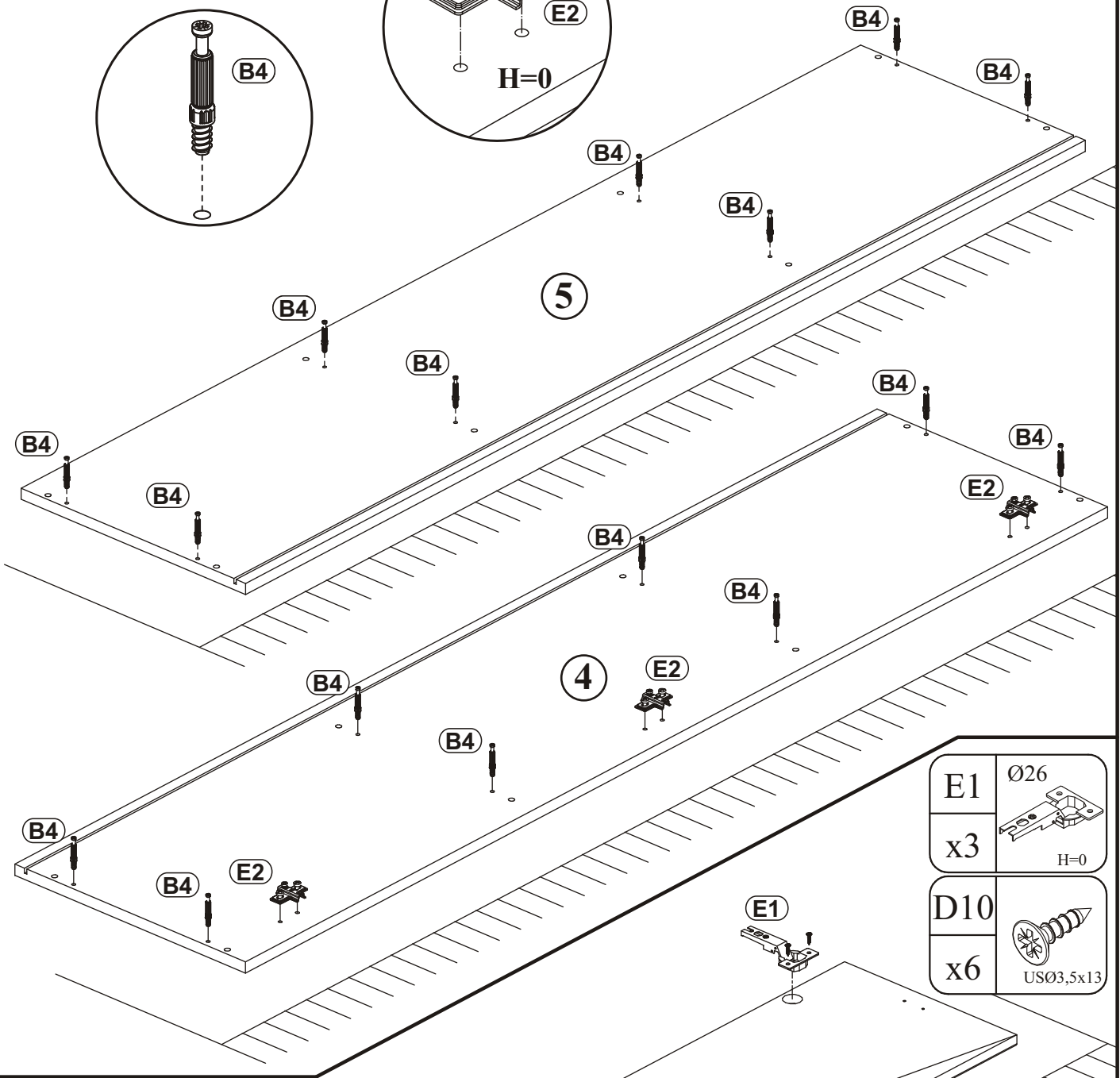
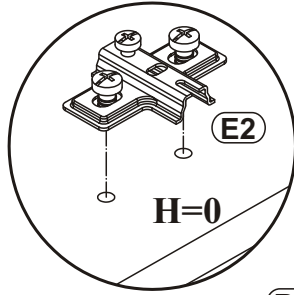
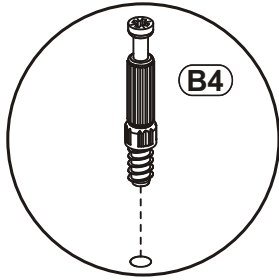
1



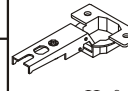

POINT TYP-30

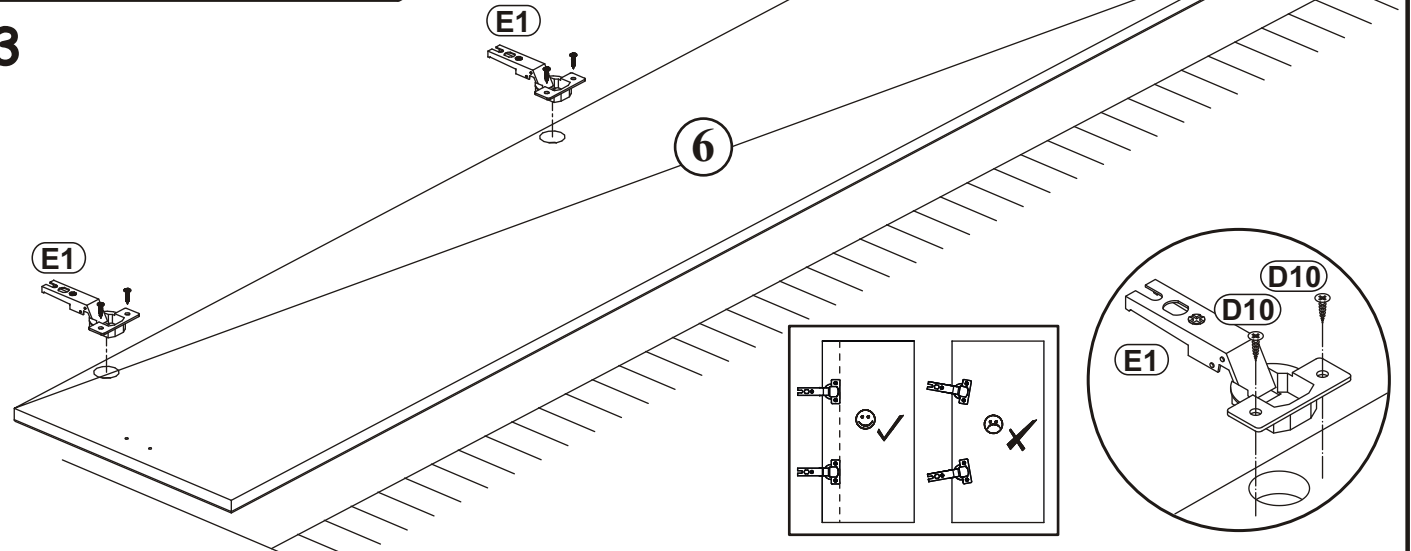
2


E2		B4	
x3	H=0	x16	



3

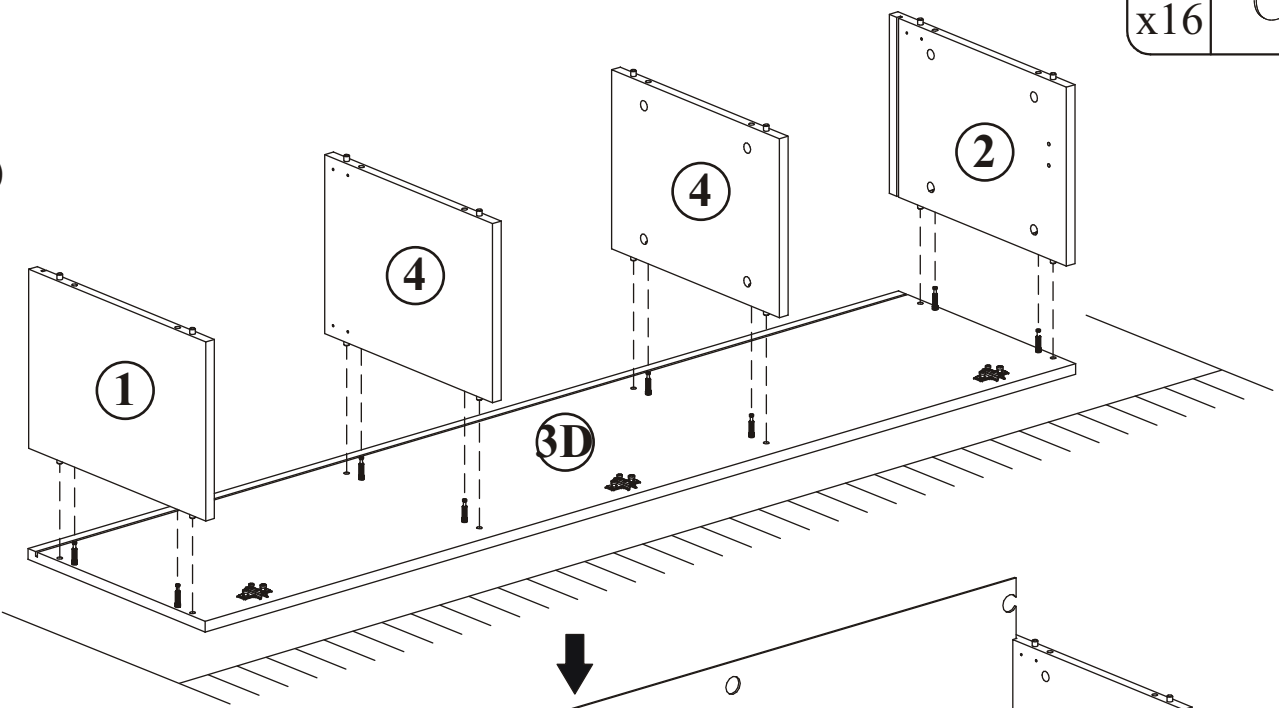
E1		Ø26
x3	H=0	
D10		
x6	USØ3,5x13	



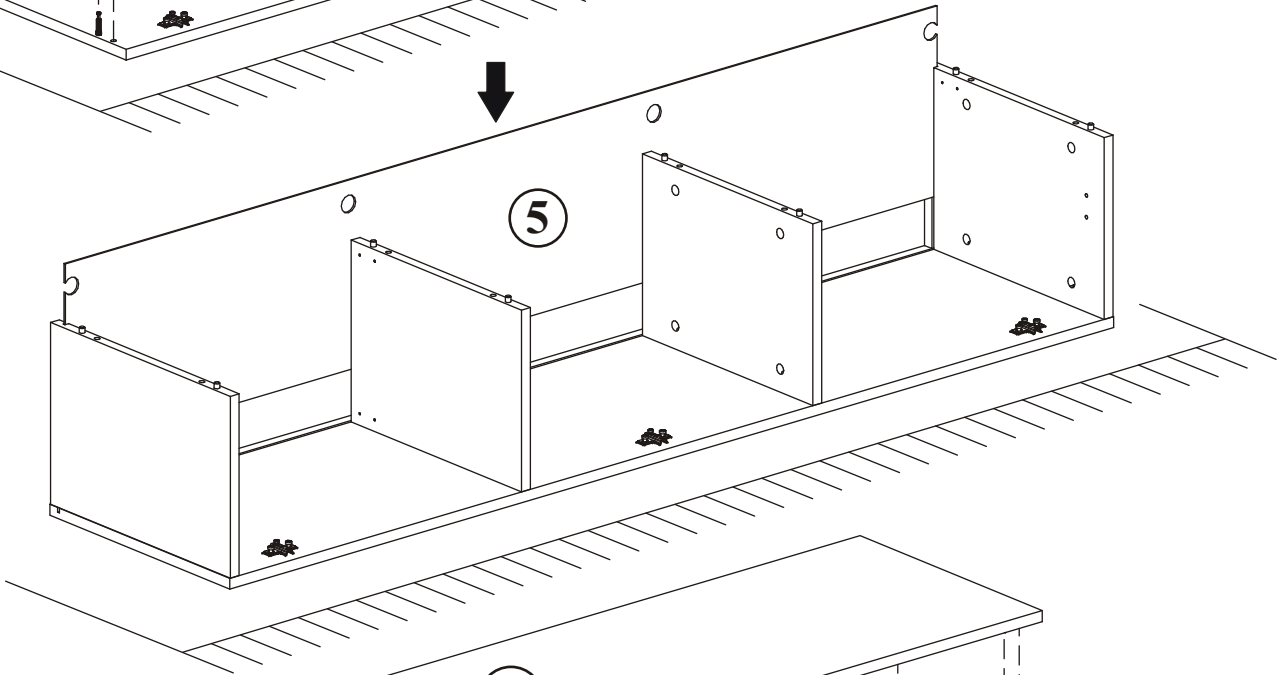
G5	
x16	

4

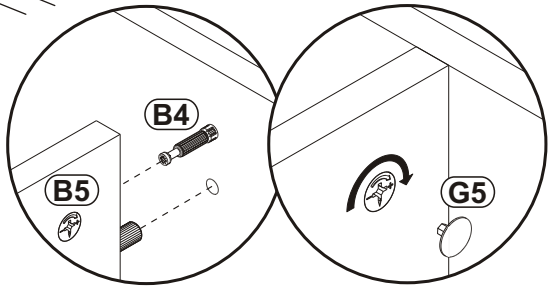
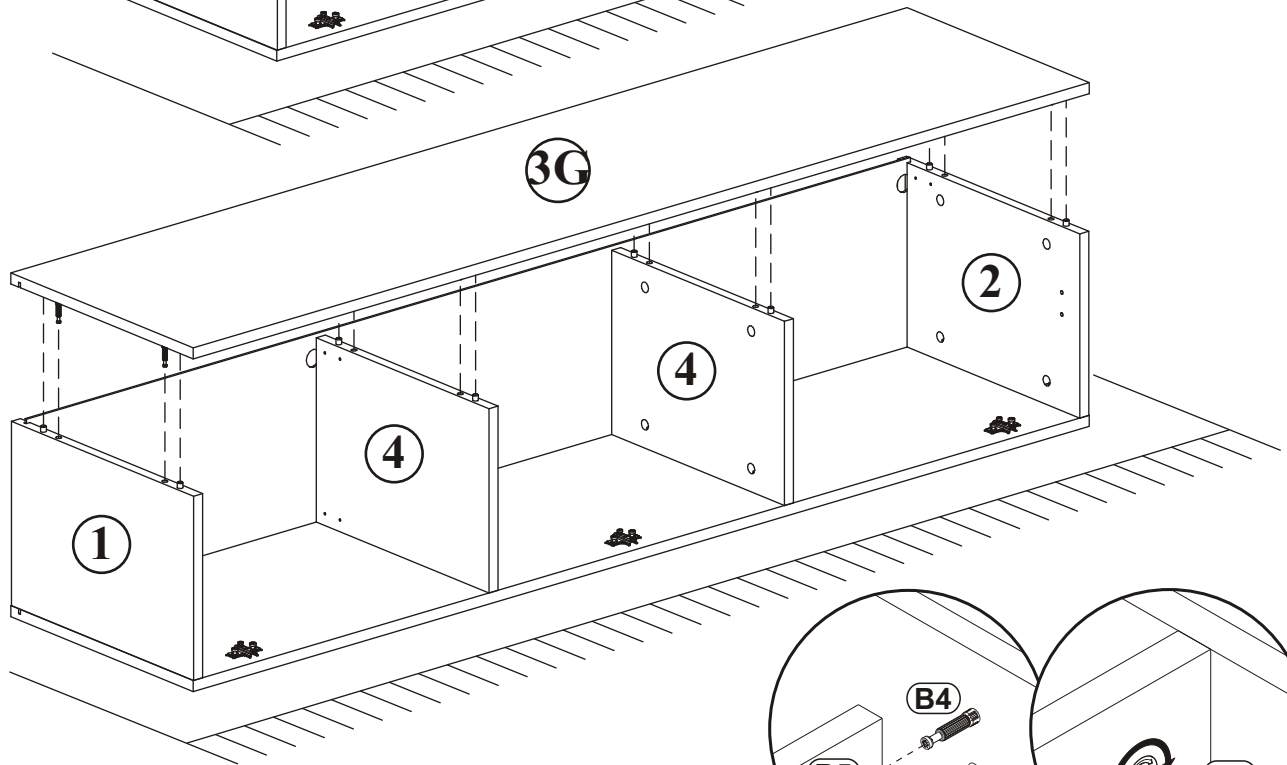
a)



b)



c)



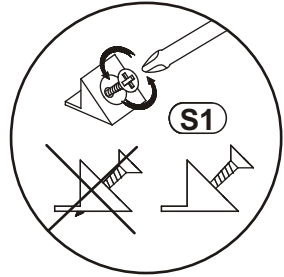
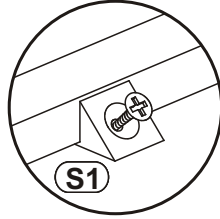
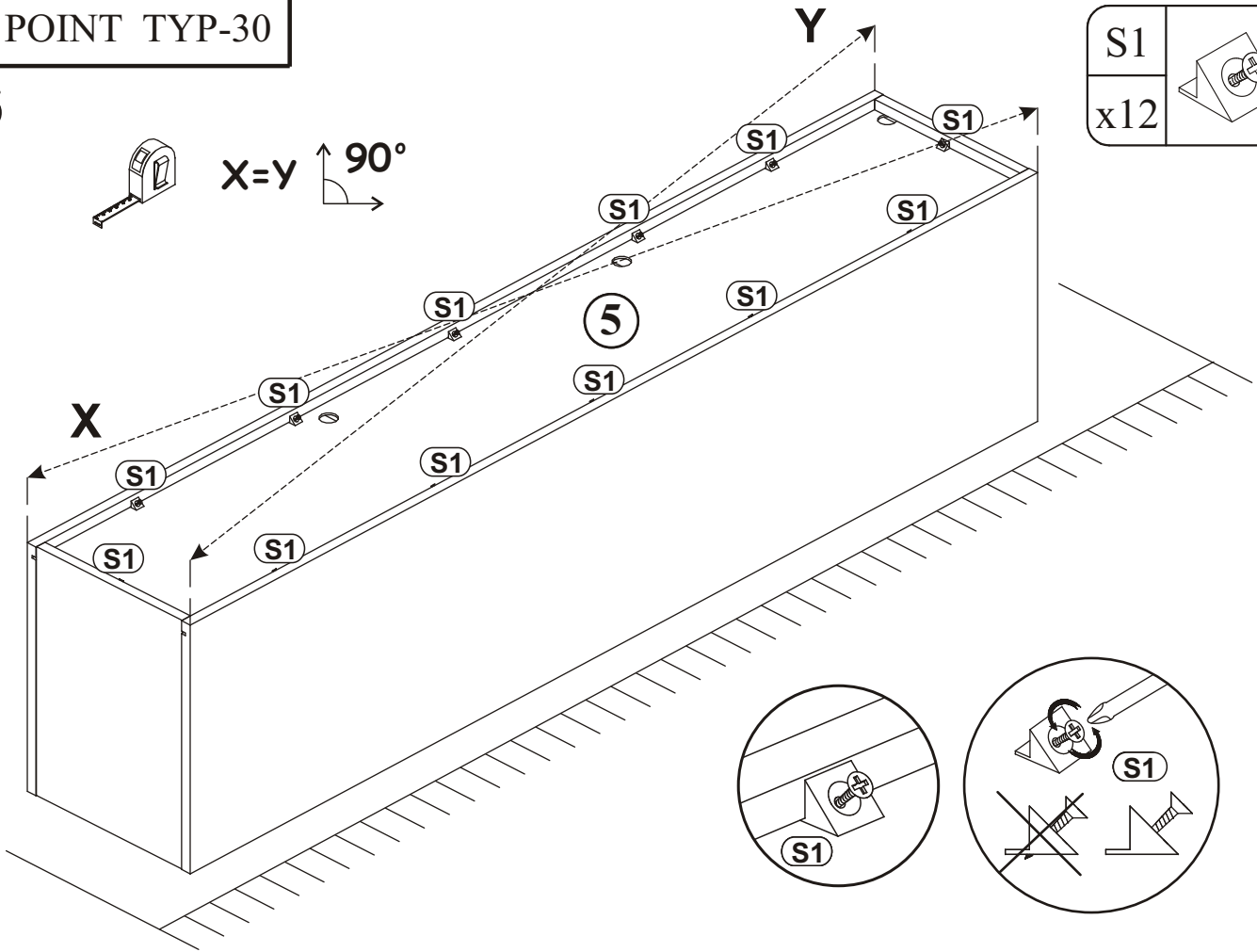
Two circular callouts provide detailed views of the fastener installation. The left callout shows a screw labeled B4 being inserted into a hole in a panel, with another screw labeled B5 shown nearby. The right callout shows a G5 fastener being inserted into a hole in a panel, with a curved arrow indicating the direction of insertion.

POINT TYP-30

5



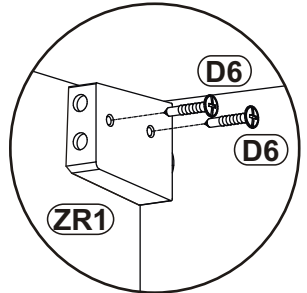
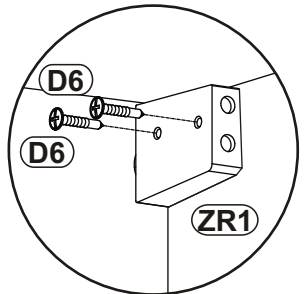
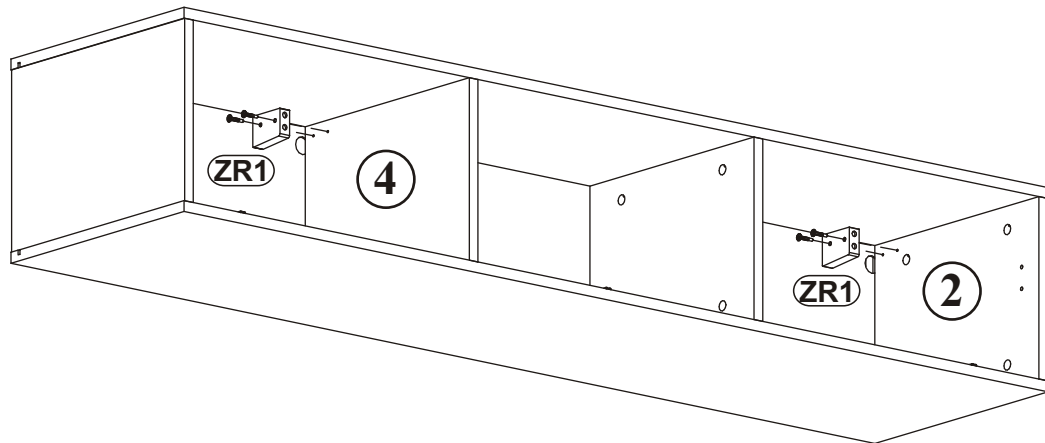
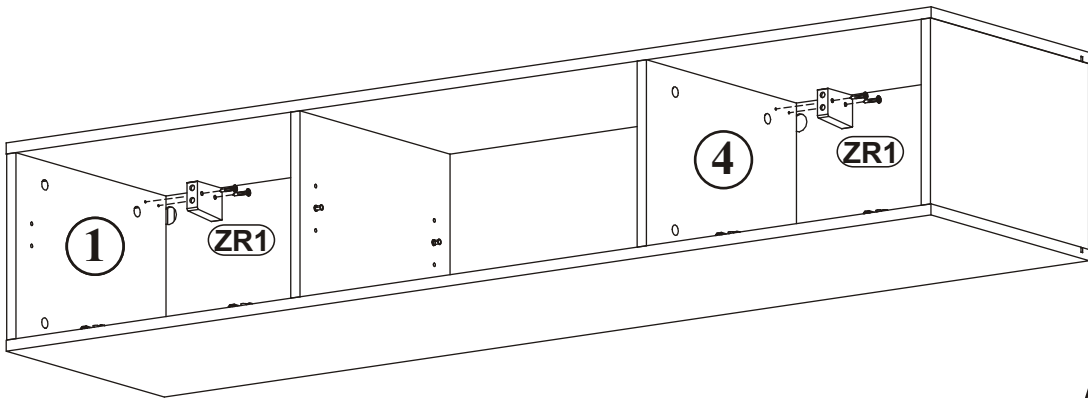
S1	
x12	



6

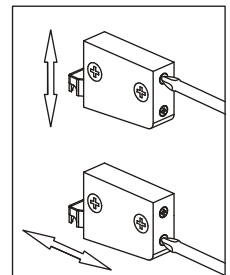
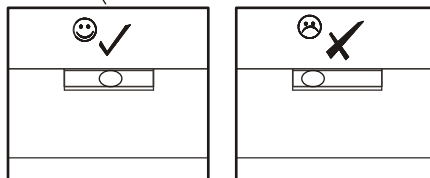
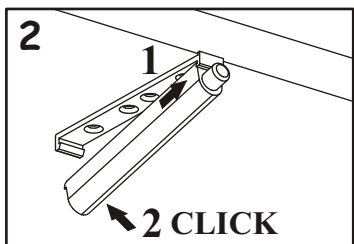
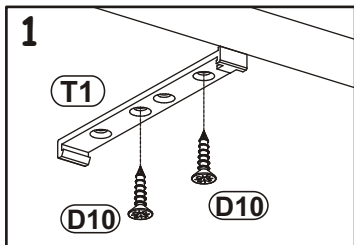
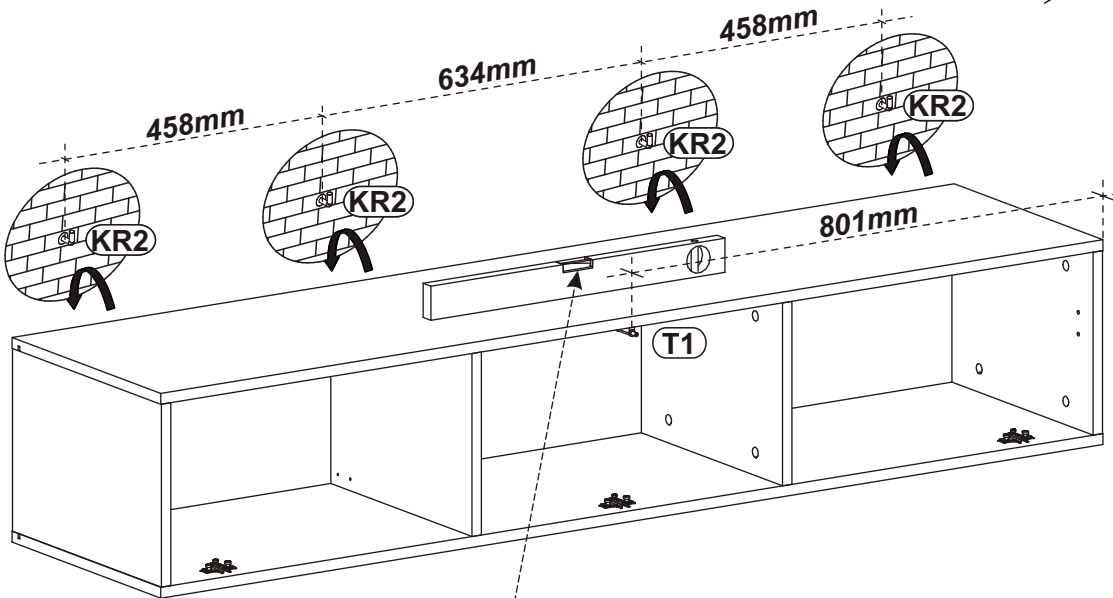
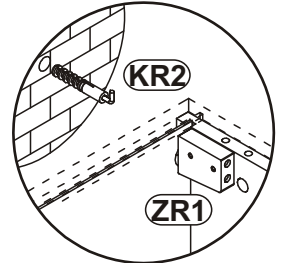
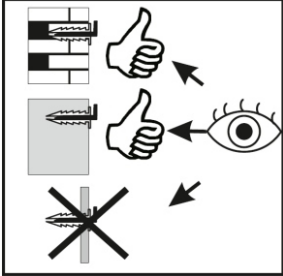
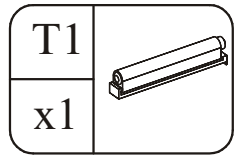
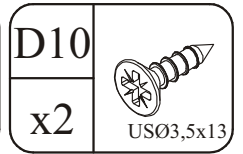
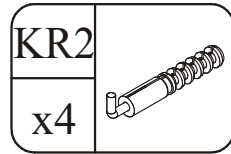
ZR1	
x4	

D6	
x8	USØ3,5x30



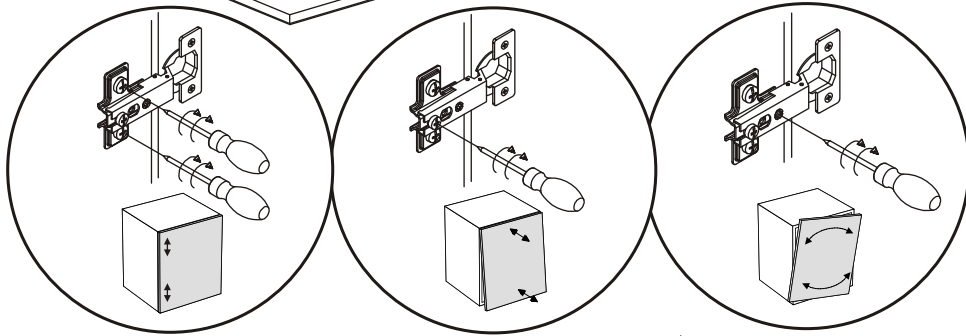
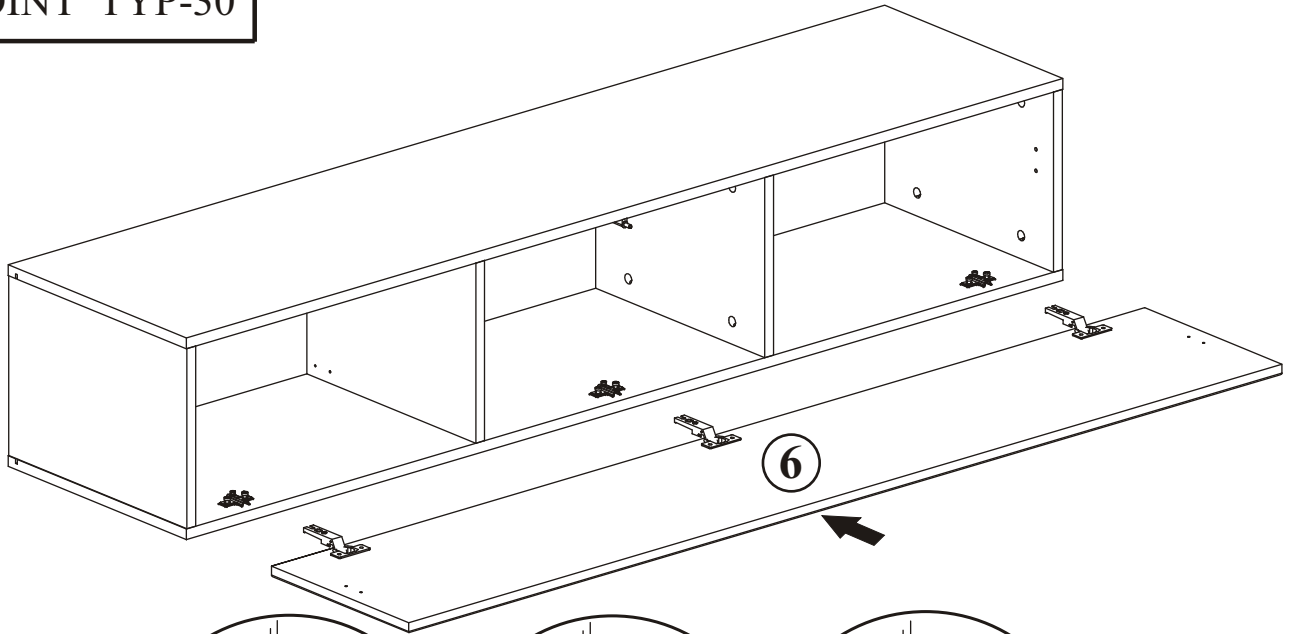
POINT TYP-30

7

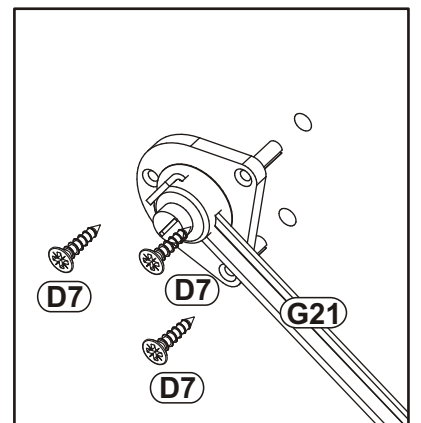
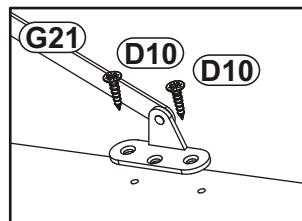
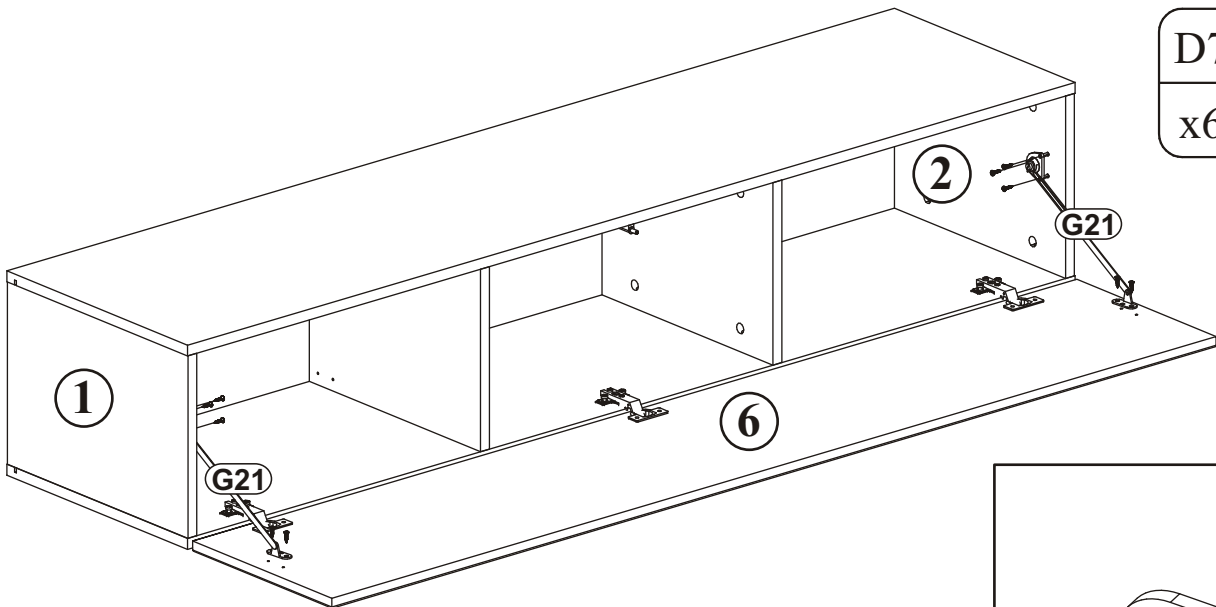
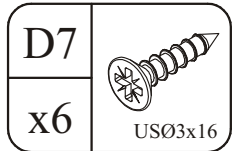
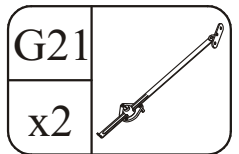
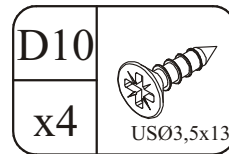




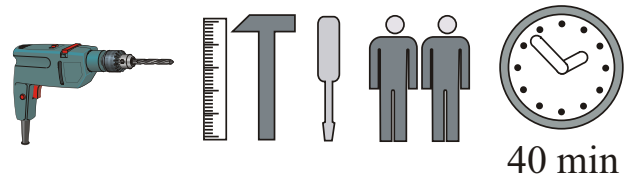
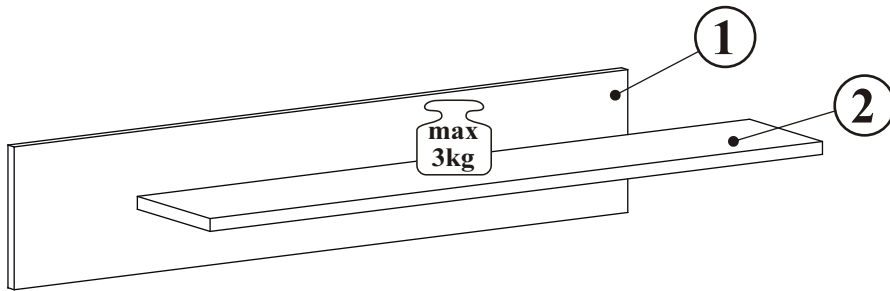
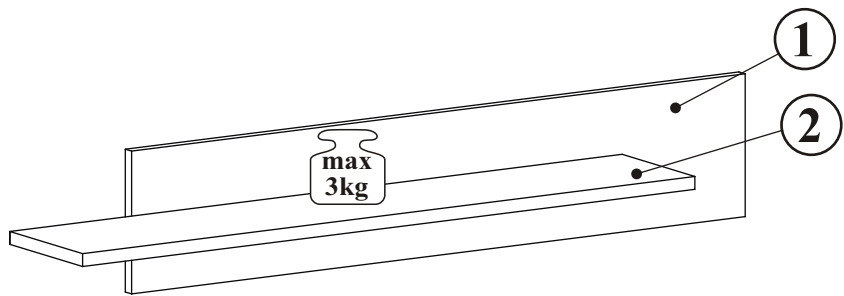
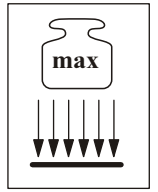
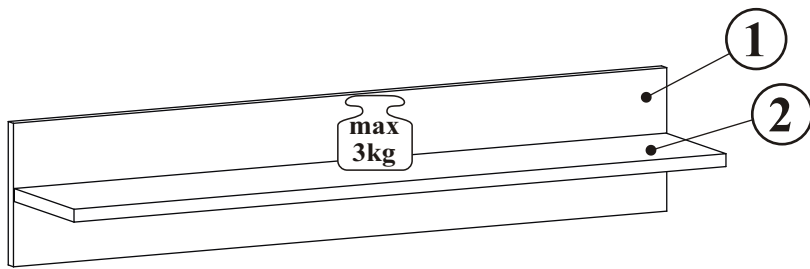
8



9

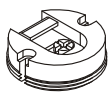



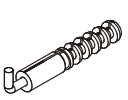



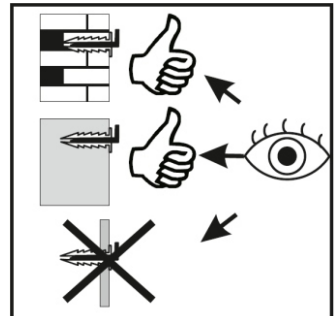
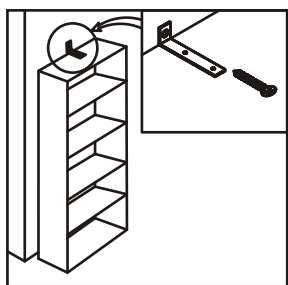
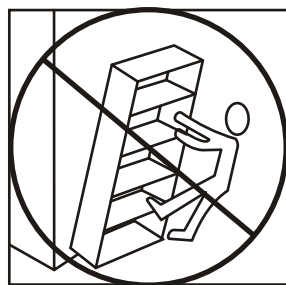
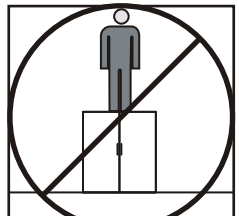
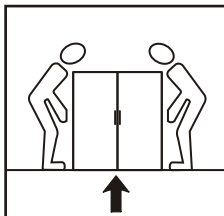
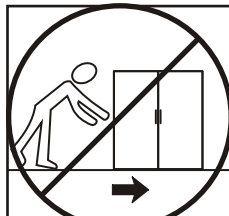
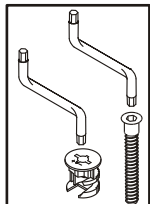
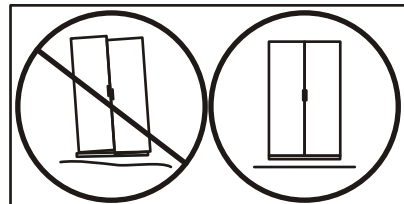
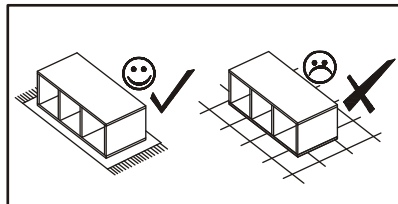
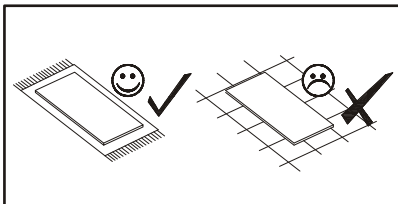
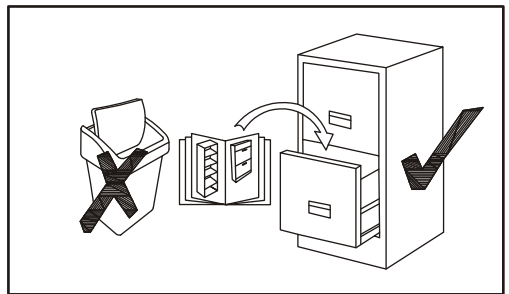
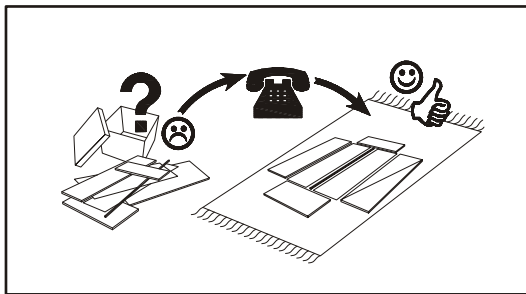
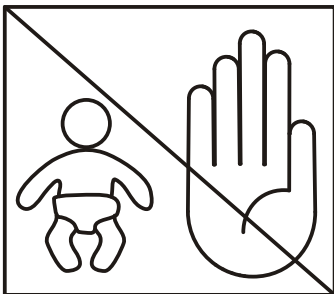
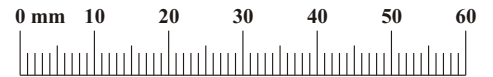
# POINT 23\_MX



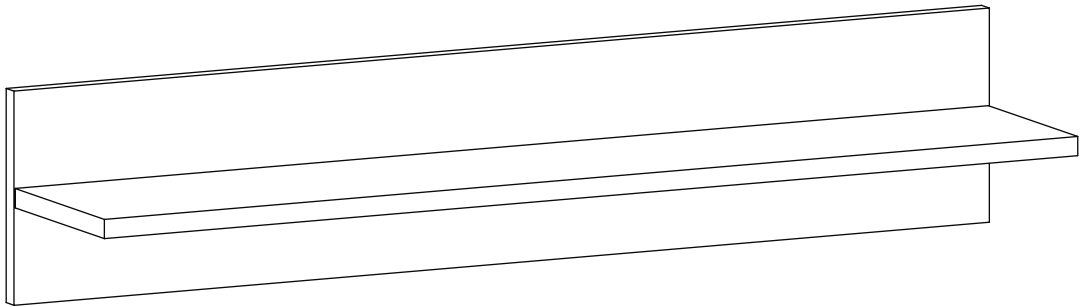
NO	Dim.		Col.-No	Qty
1	1002	200	1	2
2	1000	185	1	2

POINT 23\_MX

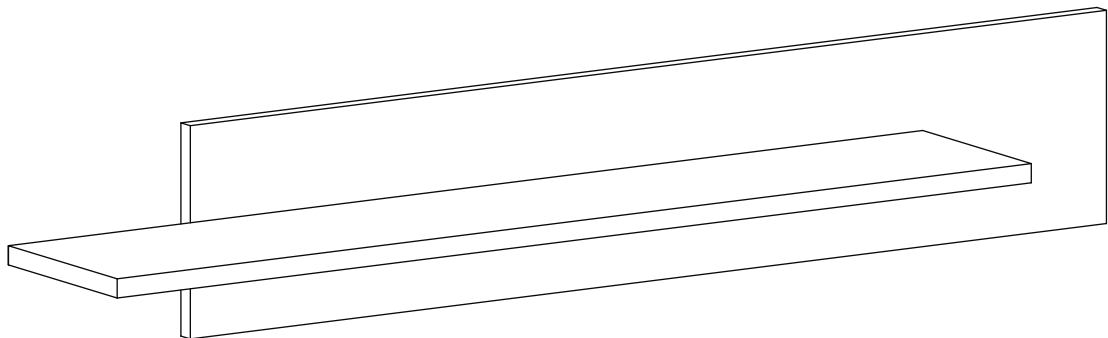
ZM1 x4		D20 x8	 ESØ6x9,5	B11 x12	 Ø7x50	G4 x12		KR2 x4		G2 x1	
-----------	---	-----------	---	------------	--	-----------	---	-----------	---	----------	---



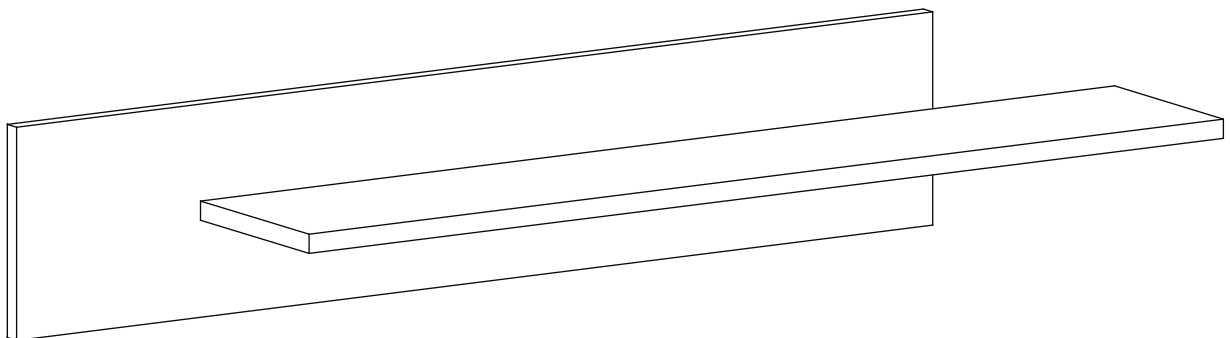
**1-3**



**4-6**

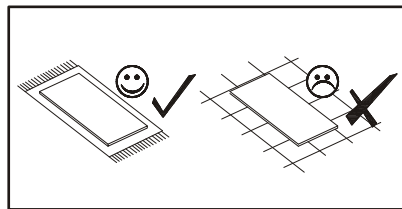


**7-9**



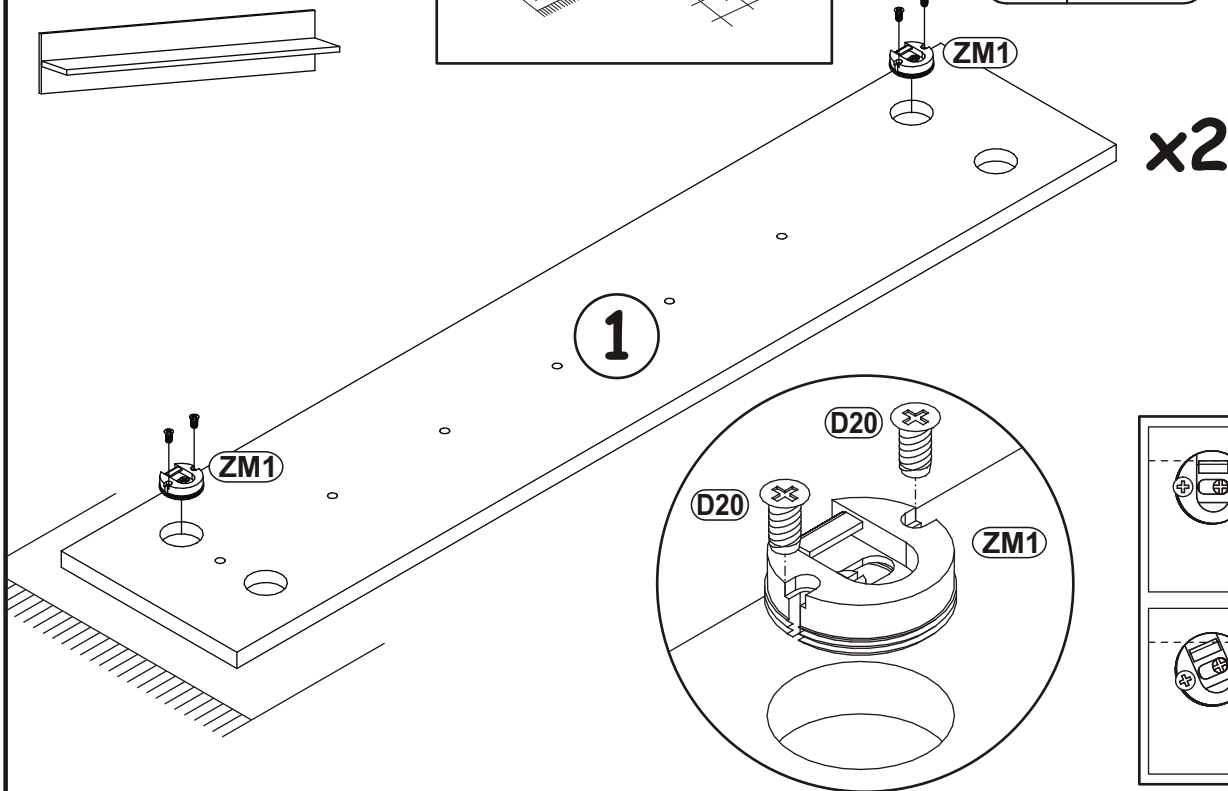
POINT 23\_MX

1



ZM1	
x4	

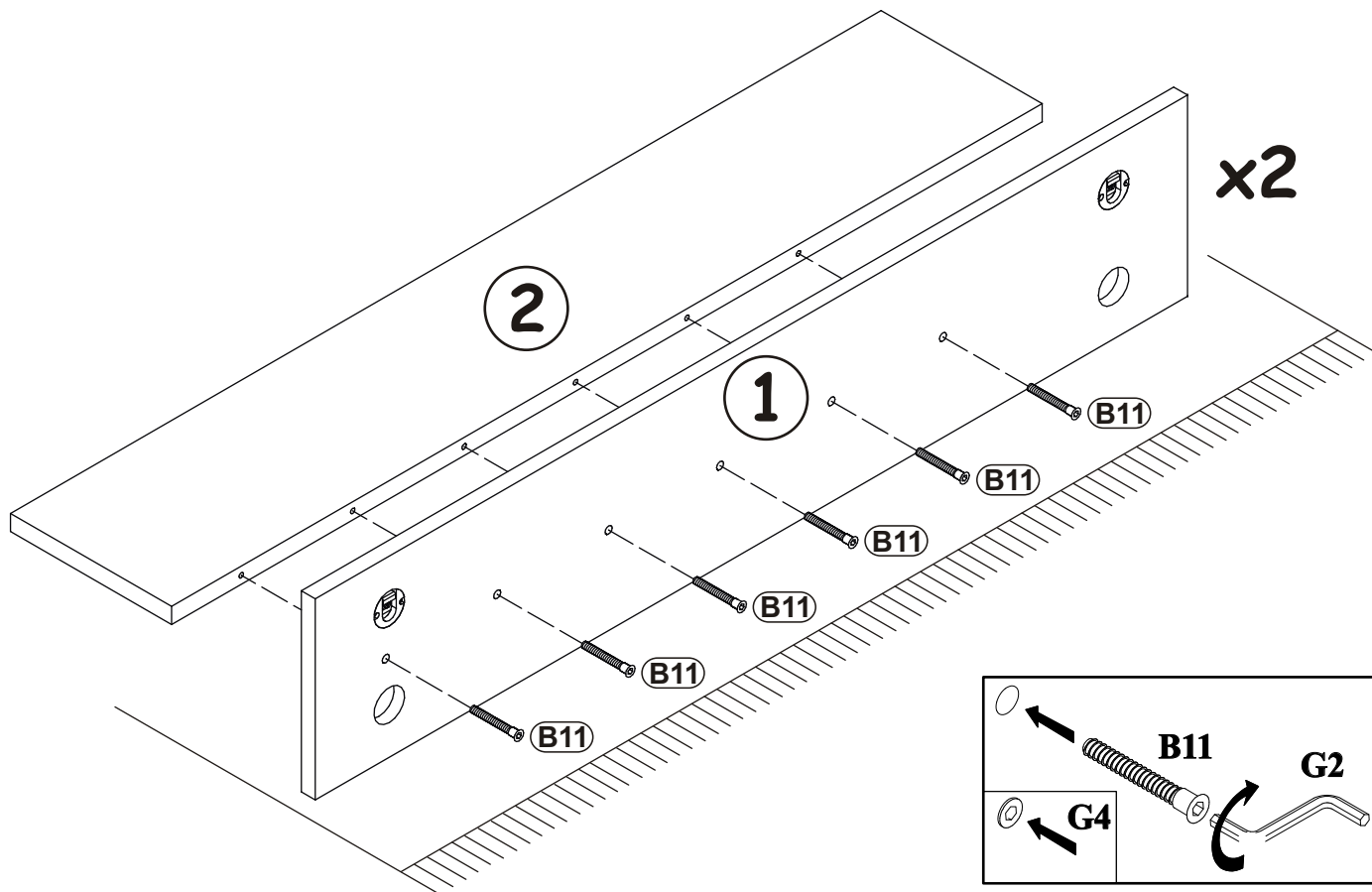
D20	
x8	ES06x9,5



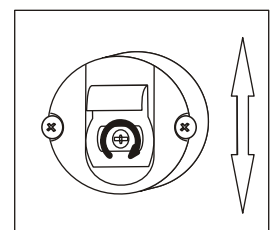
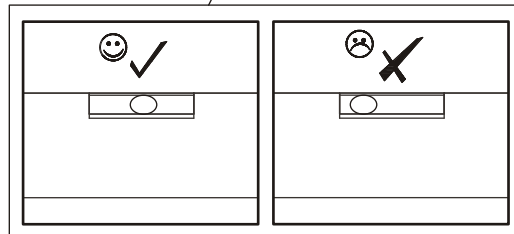
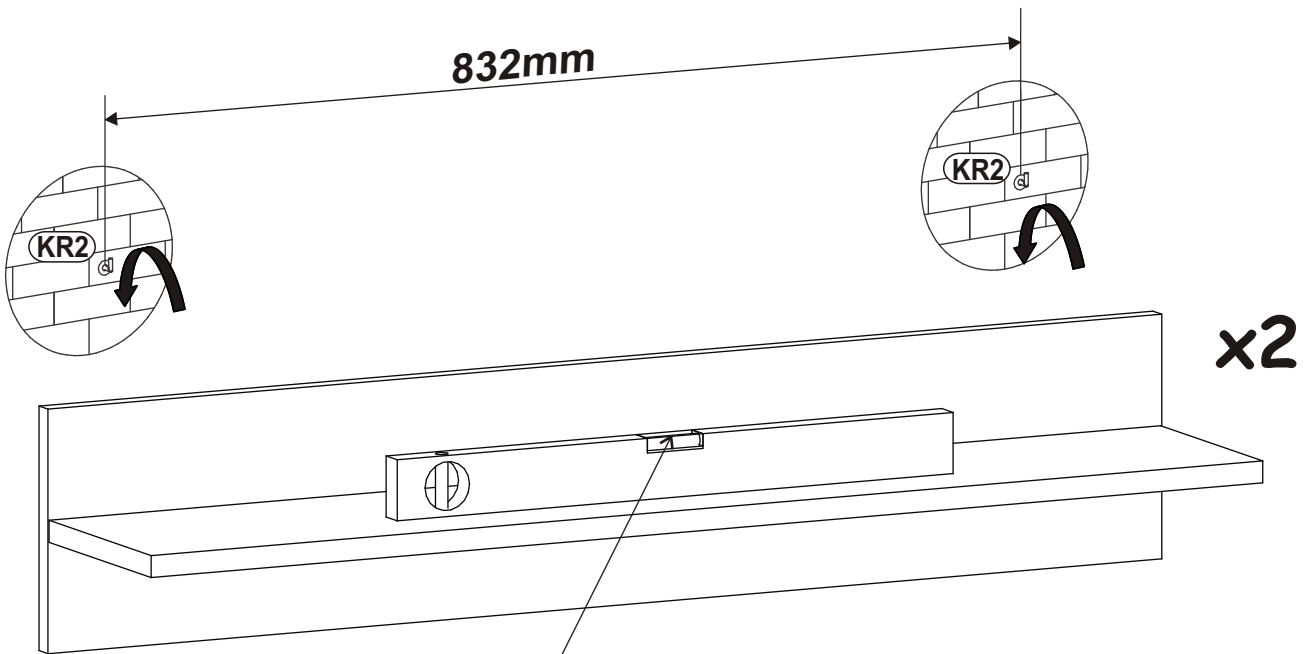
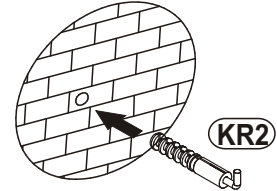
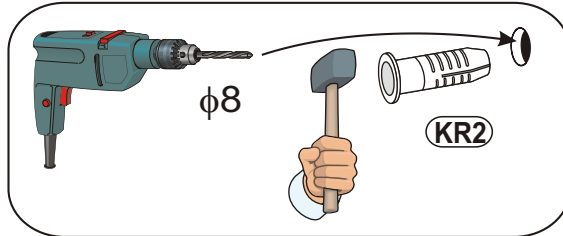
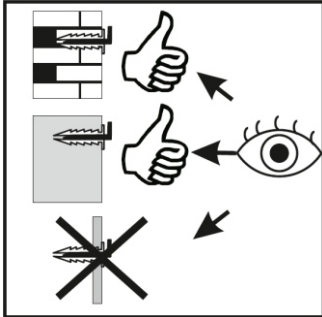
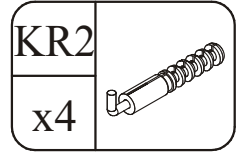
2

B11	
x12	Ø7x50

G4	
x12	

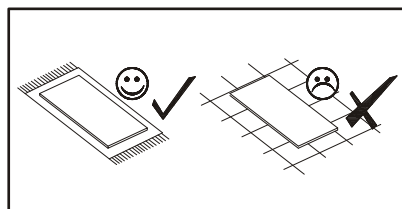


3



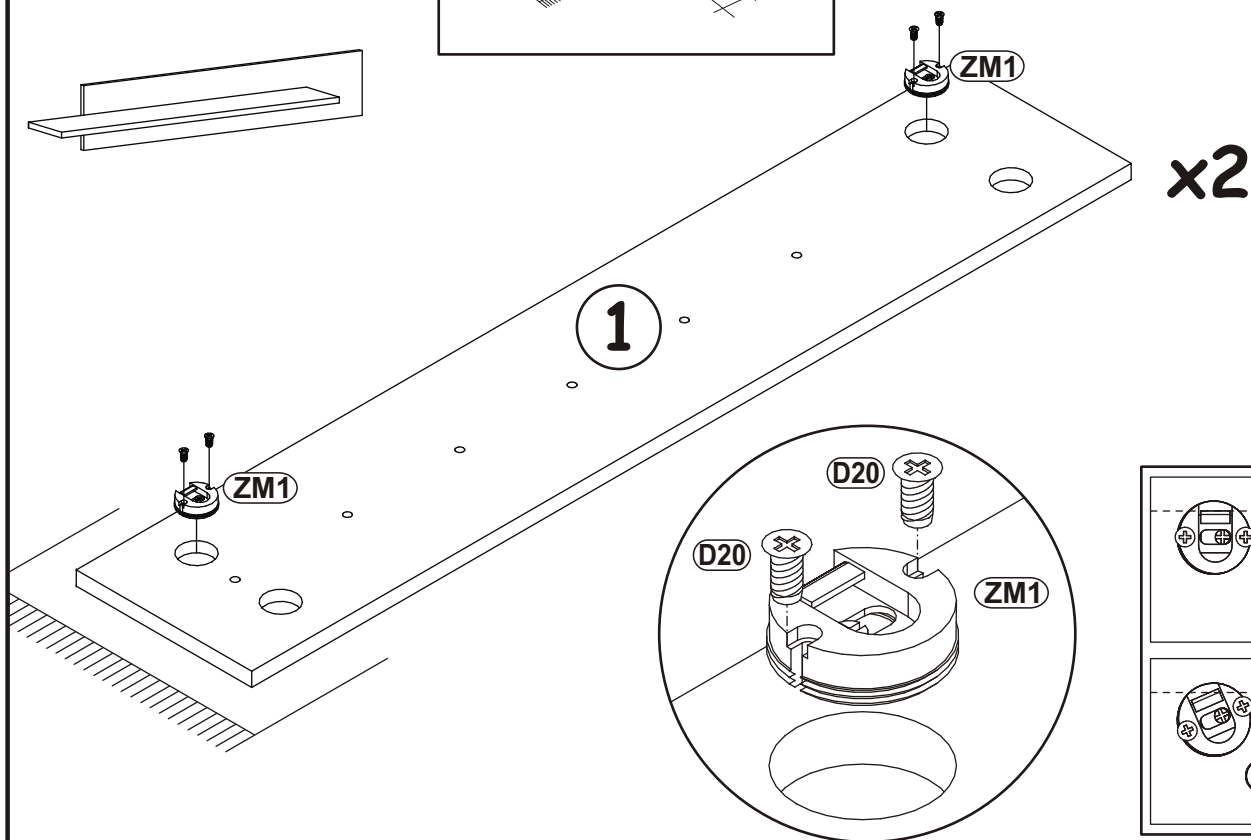
POINT 23\_MX

4



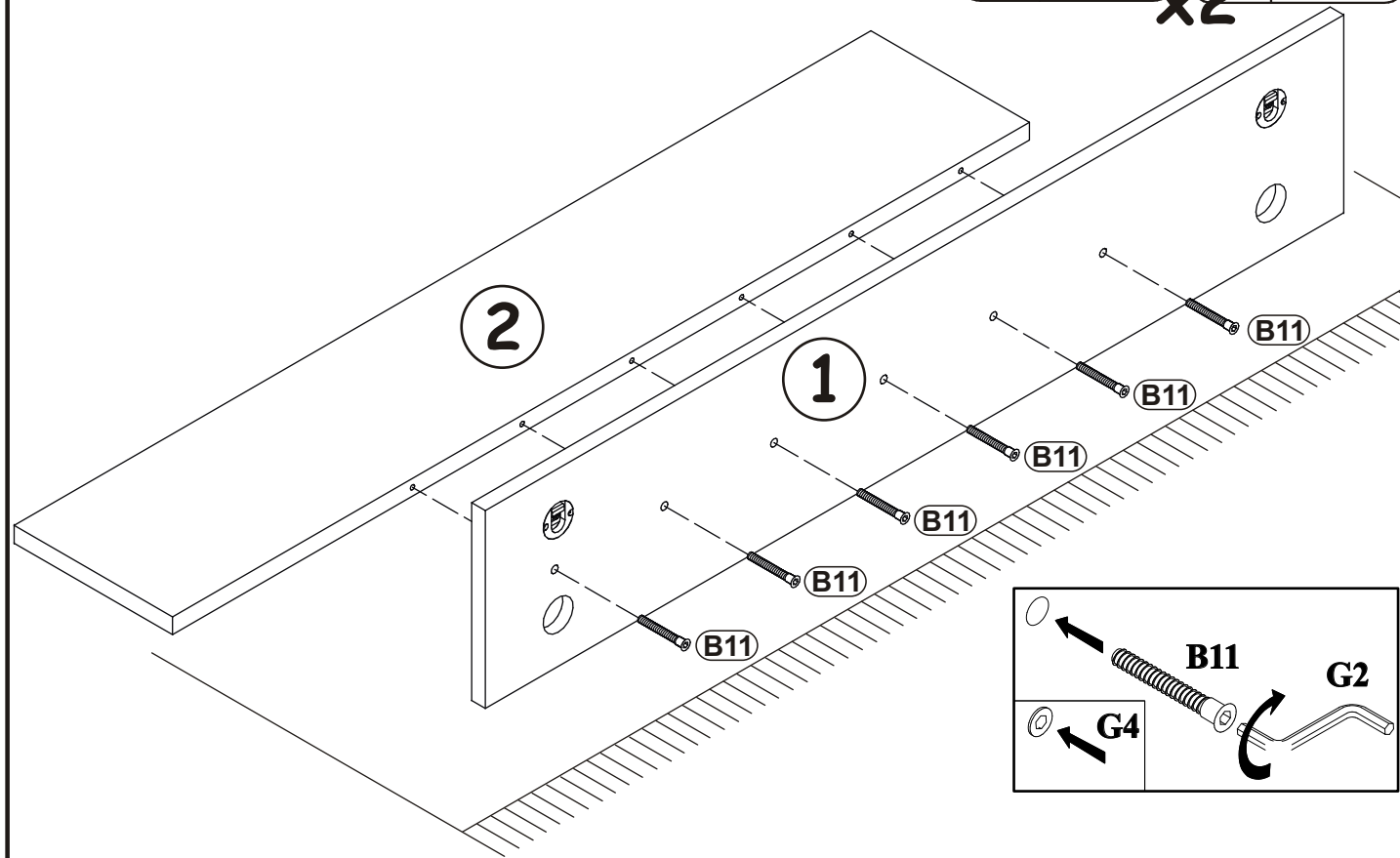
ZM1	
x4	

D20	
x8	ES06x9,5

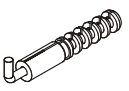


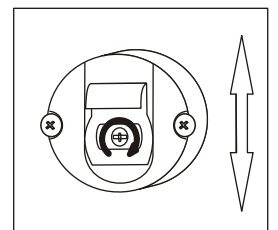
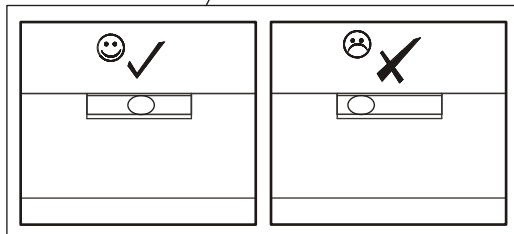
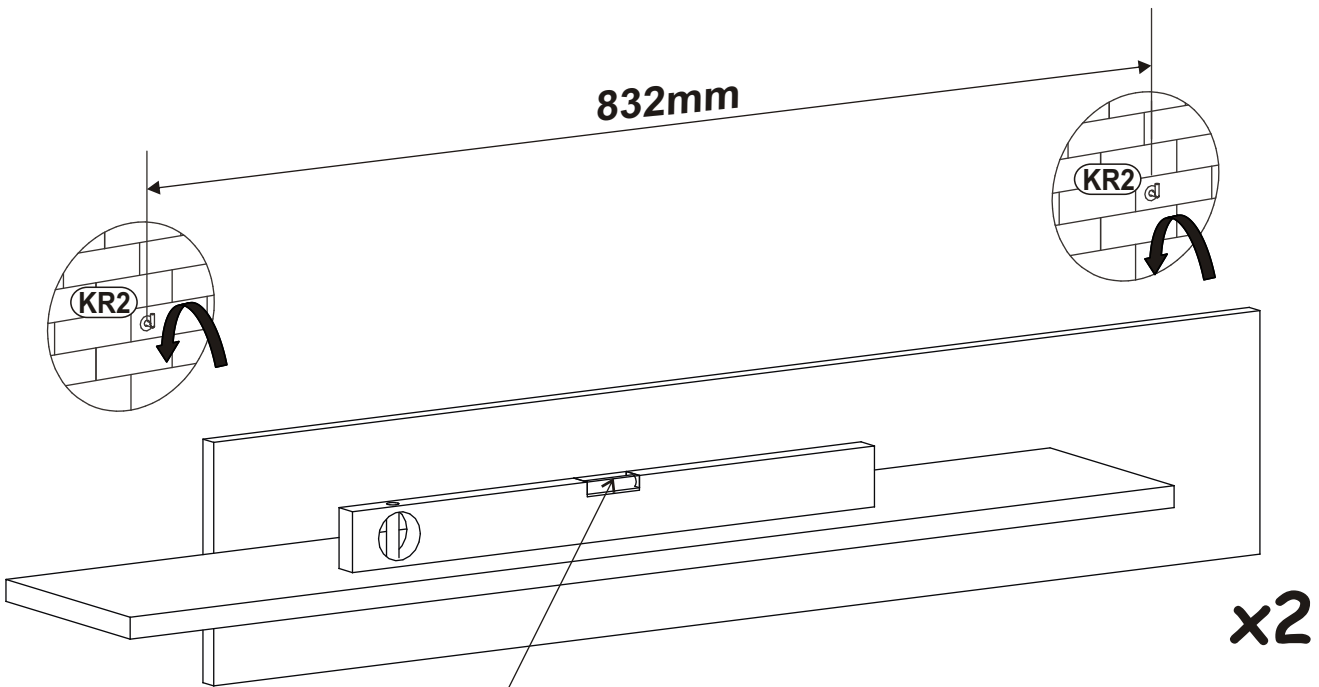
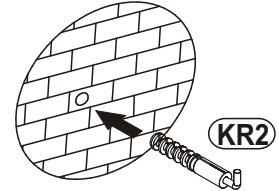
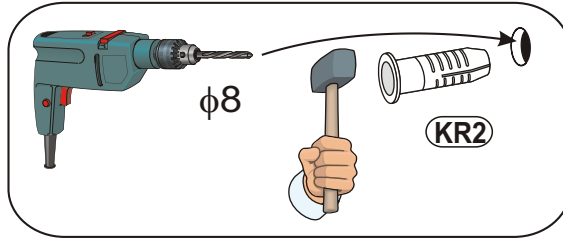
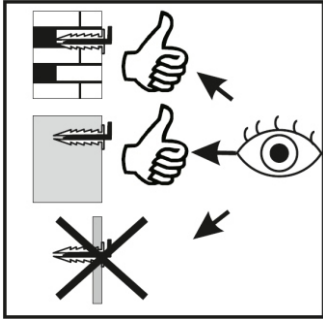
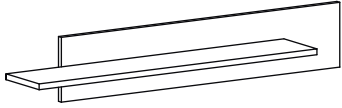
5

B11		G4	
x12	Ø7x50	x12	



6

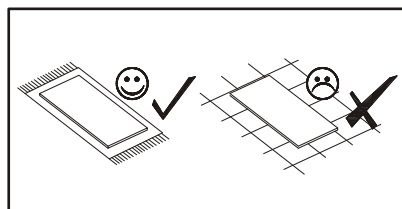
KR2	
x4	





POINT 23\_MX

7



ZM1

x4

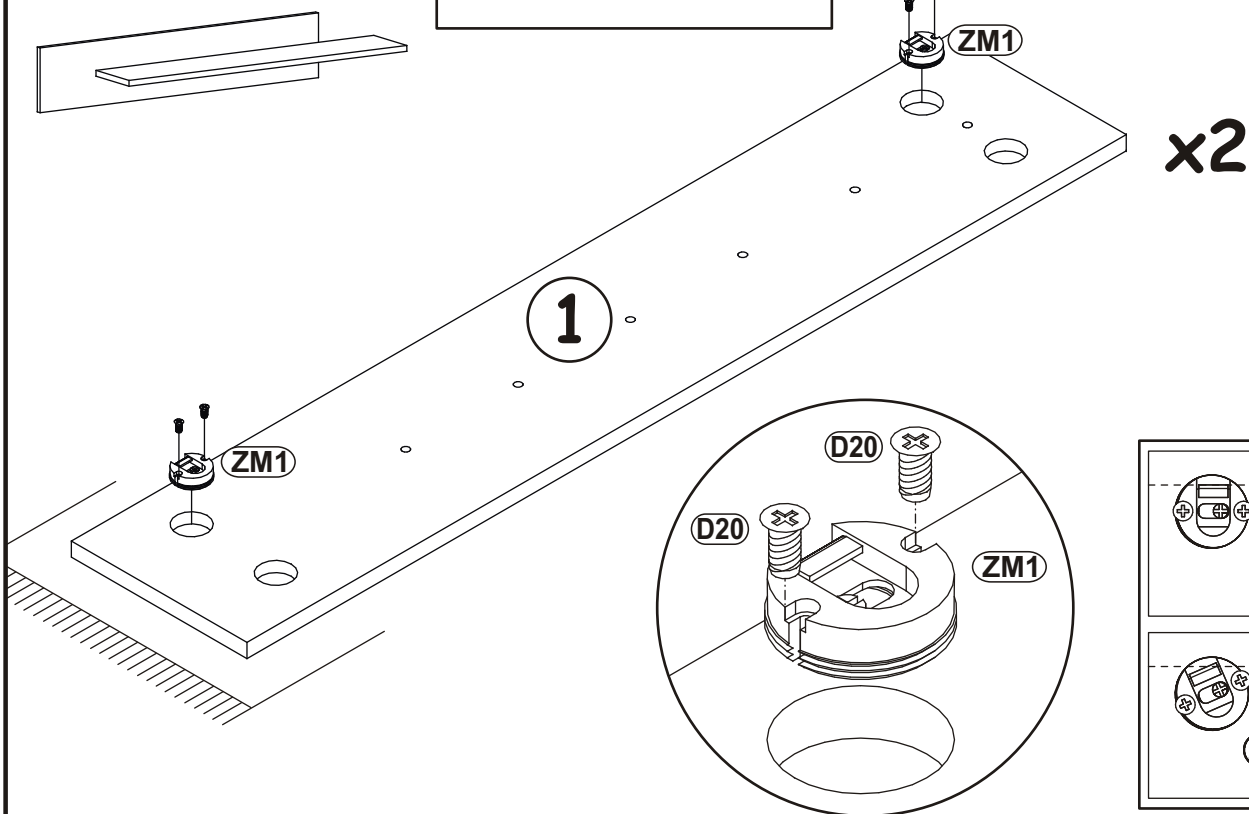


D20

x8



ES06x9,5



8

B11

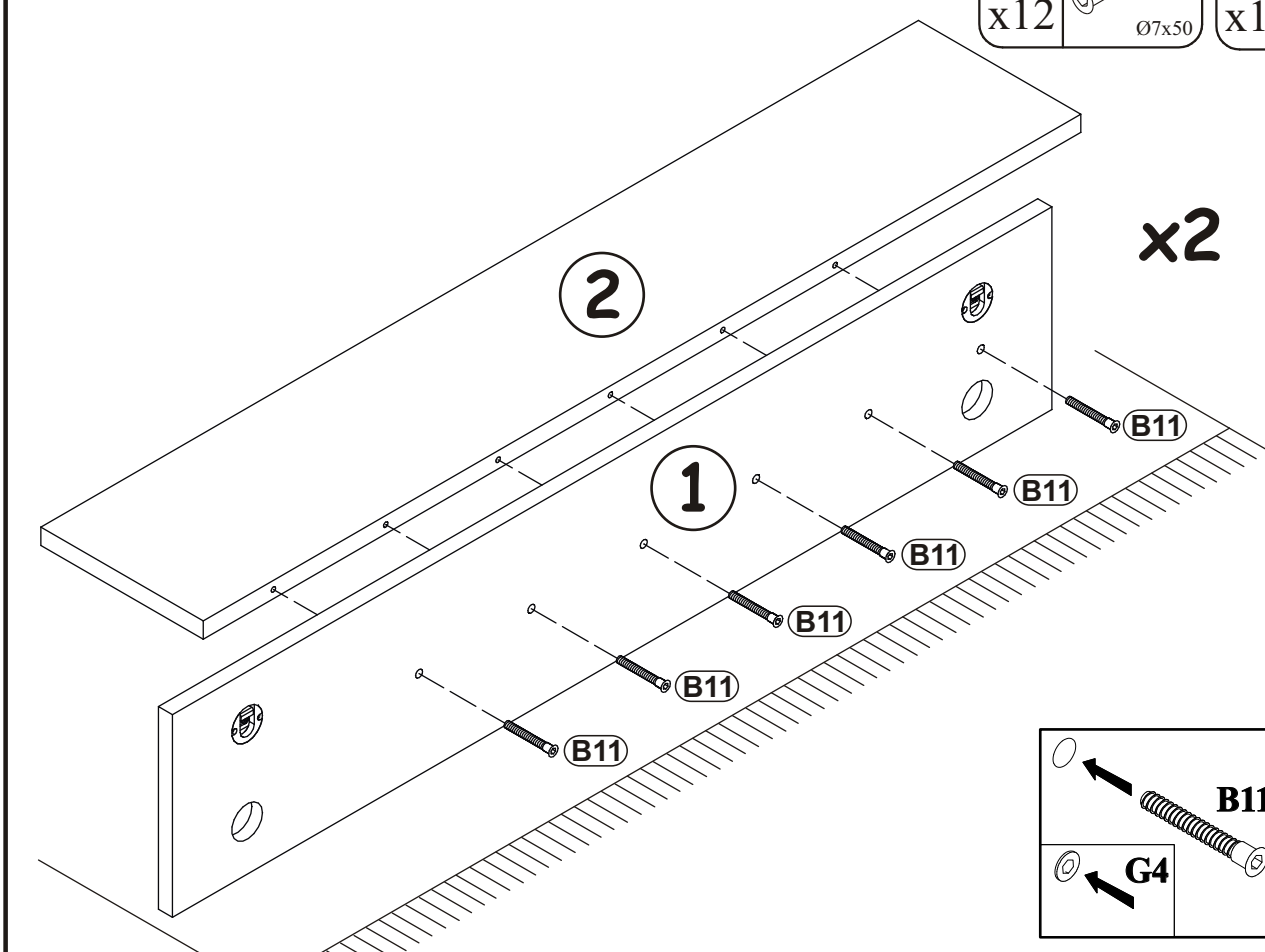
x12



Ø7x50

G4

x12



9

